



QUICK COUPLINGS

Q.SAFE COUPLINGS

INTRODUCTION

Q.Safe is the Manuli Hydraulics offering for quick coupling applications. Composed of an ever-expanding range of products, the Q.Safe brand has rapidly become an industry byword for quality and performance. The entire Q.Safe product range is manufactured with an Ecoat treatment which provides an environmentally friendly surface coating (chrome free) far exceeding ISO 4520 requirements (salt spray resistance: 240 hours for white corrosion and 400 for red corrosion).

Guaranteeing leak-free performance, the Q.Safe brand is suitable for a wide range of different applications and assures total interchangeability with other quick coupling products on the market. All Q.Safe products are manufactured and assembled in our world-class facility, where they are subjected to stringent quality controls including:

- 100% visual check
- 100% functional test
- 100% air sealing test

Manuli Hydraulics Q.Safe are suggested for the following application fields:

AGRICULTURE AND FORESTRY (TRACTORS, TRAILERS, HARVESTER MACHINES)

- Quick couplings according to ISO 7241-A standard connectable in whatever pressure conditions:
- MQS-A and MQS-AF, MQS-N in case of no pressure in the hydraulic line.
- MQS-AP, MQS-AFP, MQS-AFM, MQS-AFB, MQS-ARM and MQS-ARB in case of pressure in one or both the hydraulic lines.
- Quick couplings for hydraulic braking systems: MQS-VB according to ISO 5676 standard, MQS-VS
- Flat Face Quick couplings according to ISO 16028 standards: MQS-F, MQS-FP, MQS-FS
- Screw-type couplings: MQS-SG, MQS-SGR
- Quick couplings for diagnosis according to ISO 15171-1 standard: MQS-D
- Quick couplings "direct hose integration": MQS-DHI
- Check valves: MQS-CV, MQS-CVC

MINING (DRILLS)

- MQS-A, MQS-N,
- MQS-F
- MQS-SG, MQS-SGR
- MQS-SC
- MQS-SH
- MQS-CV, MQS-CVC

CONSTRUCTION EQUIPMENTS AND UTILITY VEHICLES (EXCAVATORS, SKID STEERS LOADERS, WHEEL-LOADERS, HYDRAULIC TOOLS AND DUMP TRAILERS)

- MQS-A, MQS-AF, MQS-N, MQS-B
- MQS-F, MQS-FP, MQS-FS
- MQS-SG, MQS-SGR
- MQS-D
- Screw type couplings for very high static pressure: MQS-SC
- Screw type couplings for extreme working conditions: MQS-SH
- Wing nut screw type couplings: MQS-ST
- MQS-DHI
- MQS-CV, MQS-CVC

INDUSTRY

- MQS-F
- MQS-SH
- MQS-B
- MQS-D
- MQS-DHI
- MQS-CV, MQS-CVC

QUICK COUPLING SELECTION

To ensure that you select the correct quick coupling for your needs, Manuli Hydraulics recommends that the following factors be considered:

Pressure and Flow Rate - The selected quick coupling must always be suitable for the pressure and flow rate in the system. Always check that the selected quick coupling's maximum working pressure is equal to or greater than the maximum pressure of the system (including pressure spikes).

Connection Under Pressure - Many quick couplings can only be connected / disconnected when the line pressure has been reduced to zero. If this is not possible you should select a quick coupling which is connectible under pressure. When disconnecting couplings the line pressure must be reduced to zero. Avoid using tools to connect / disconnect quick couplings.

Fluid Compatibility - Always check that the fluids used are compatible with the materials and seals used in the quick couplings.

Temperature - Always verify that the maximum working temperature of the system is within the operational limits of the quick coupling selected.

Environmental Conditions - Be aware that certain environmental conditions can cause damage or excessive corrosion to the quick couplings. Some specific examples are environments where there are harsh chemicals, UV radiation or salt waters.

GENERAL PRECAUTIONS

- Before connecting the quick coupling carefully clean the insert in order to prevent excessive wear on seals.
- Use suitable protective components such as plugs and caps when quick couplings are not in use to prevent unnecessary wear or damage.
- Shock impacts, such as falling on the ground, may damage your quick coupling. Take precautions to avoid this kind of impact.
- Replace damaged / worn O-rings and back-up rings as soon as possible using the recommended spare part kits.
- Inspect each quick coupling after every individual application in order to detect any visible cracks, leakage, damage or corrosion.

QUICK COUPLINGS INDEX

QUICK COUPLINGS SERIES	FEMALE COUPLING	MALE COUPLING	SHUT-OFF SYSTEM	SPECIFICATIONS	CONNECTION	SIZE										SECTION NUMBER	
						3/8"	1/4"	3/8"	1/2"	5/8"	3/4"	1"	1 1/4"	1 1/2"	2"		
MQS-A ISO A	Q008	Q002	Poppet Valve	ISO 7241 series A	Locking Balls												Q1
		Q004	Shielded Poppet														
	Q009	Q003	Ball Valve														
MQS-AP ISO A connectable under pressure	Q010	Q006	Poppet Valve	ISO 7241 series A	Locking Balls												Q2
MQS-AM ISO A connectable with male under pressure	Q011	-	Poppet Valve	ISO 7241 series A	Locking Balls												Q3
MQS-AB ISO A connectable with both parts under pressure	Q012	-	Poppet Valve	ISO 7241 series A	Locking Balls												Q4
MQS-B ISO B	Q024	Q021	Poppet Valve	ISO 7241 series B	Locking Balls												Q5
MQS-BOP ISO B for drilling BOP unit	Q026 F	Q021 F	Poppet Valve	ISO 7241 series B + flame test res. to API 16D	Locking Balls												Q6
MQS-N Standard	Q032	Q029	Poppet Valve	-	Locking Balls												Q7
	Q033	Q030	Ball Valve														
MQS-NL Free-flow	Q038	Q037	Without	-	Locking Balls												Q8
MQS-NF Standard push-pull	Q036	-	Poppet Valve	-	Locking Balls												Q9
MQS-AF Push-pull	Q013	-	Poppet Valve	ISO 7421 series A	Locking Balls												Q10
MQS-AFP Push-pull connectable under pressure	Q015	-	Poppet Valve	ISO 7421 series A	Locking Balls												Q11
MQS-AFM Push-pull, connectable with male under pressure, flexible mounting	Q016	-	Poppet Valve	ISO 7421 series A	Locking Balls												Q12
MQS-AFB Push-pull connectable with male under pressure, flexible mounting	Q017	-	Poppet Valve	ISO 7421 series A	Locking Balls												Q13
MQS-ARM Push-pull, connectable with male under pressure, rigid mounting	Q018	-	Poppet Valve	ISO 7421 series A	Locking Balls												Q14
MQS-ARB Push-pull connectable with both parts under pressure, rigid mounting	Q019	-	Poppet Valve	ISO 7421 series A	Locking Balls												Q15

Q-SAFE

Q-03

QUICK COUPLINGS INDEX

QUICK COUPLINGS SERIES	FEMALE COUPLING	MALE COUPLING	SHUT-OFF SYSTEM	SPECIFICATIONS	CONNECTION	SIZE										SECTION NUMBER		
						1/8"	1/4"	3/8"	1/2"	5/8"	3/4"	1"	1 1/4"	1 1/2"	2"			
MQS-VB Braking circuit valve	Q048	Q047	Flat Valve	ISO 5676	Locking Balls													Q16
MQS-VS Agricultural valve	Q050	Q049	Flat Valve	-	Screw-on Sleeve													Q17
MQS-D Diagnostic	-	Q045	Flat Valve	ISO 15171-1	Locking Balls													Q18
MQS-F Flat-face	Q041	Q039	Flat Valve	ISO 16028 e HTMA (only 3/8" size)	Locking Balls													Q19
MQS-FH Flat-face high pressure	Q044	Q043	Flat Valve	ISO 16028 e HTMA (only 3/8" size)	Locking Balls													Q20
MQS-FP Flat-face connectable under pressure	-	Q040	Flat Valve	ISO 16028 e HTMA (only 3/8" size)	Locking Balls													Q21
MQS-FS Flat-face screw type	Q067	Q066	Flat Valve	Manuli standards	Screw-on Sleeve													Q22
MQS-SG Screw	Q052	Q051	Poppet Valve	German Market interchangeable ISO 14541 (from 3/8" to 3/4")	Screw-on Sleeve													Q23
MQS-SGR Screw heavy duty	Q062	Q061	Poppet Valve	German Market interchangeable ISO 14541 (from 3/8" to 3/4")	Screw-on Sleeve													Q24
MQS-SH Screw heavy duty	Q054	Q053	Poppet Valve	French Market interchangeable	Screw-on Sleeve													Q25
MQS-SC Screw hydraulic cylinders	Q056	Q055	Poppet Valve & Ball Valve	ISO 14540	Screw-on Sleeve													Q26
MQS-ST Screw for truck	Q058	Q057	Poppet Valve	-	Screw-on Sleeve													Q27
MQS-SS Stainless Steel	Q024	Q021	Poppet Valve	ISO 7241 series B	Locking Balls													Q28
	Q041	Q039	Flat Valve	ISO 16028 e HTMA (only 3/8" size)	Locking Balls													
	Q054	Q053	Poppet Valve	French Market interchangeable	Screw-on Sleeve													

Q.Safe quick couplings are precision engineered to meet and exceed the main international requirements for this product type. The Q.Safe range of products includes a broad selection of standard items and application focussed solutions.

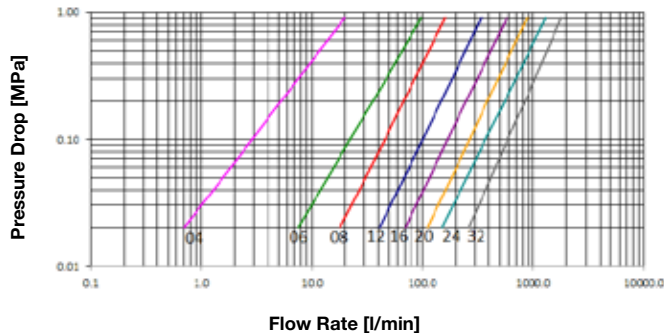
ISO A POPPET VALVES



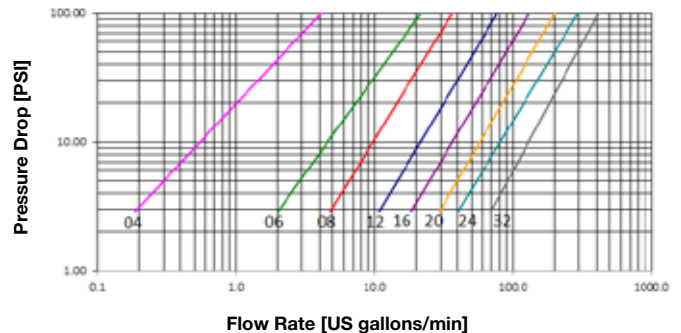
SIZE	WORKING PRESSURE (Dynamic)	RATED FLOW at 0.2 MPa of pressure drop	CONNECTION EFFORT	OIL SPILLAGE Connection/ Disconnection	MINIMUM BURST PRESSURE	CONNECTION/ DISCONNECTION UNDER PRESSURE

mm	inch	dash	MPa	PSI	l/min	US GPM	N	lb.	cc.	cubic inch	Male		Female		M & F		
											MPa	PSI	MPa	PSI	MPa	PSI	
6.3	¼	04	35	5075	5	1.3	60	13.5	0.7	0.043	200	29000	150	21750	150	21750	Not allowed
10	⅜	06	35	5075	35	9.2	80	18.0	1.4	0.085	140	20300	150	21750	150	21750	Not allowed
12.5	½	08	30	4350	75	19.8	80	18.0	1.8	0.110	125	18125	150	21750	150	21750	Not allowed
20	¾	12	25	3625	147	38.8	90	20.2	7	0.427	100	14500	120	17400	100	14500	Not allowed
25	1	16	25	3625	250	66.1	90	20.2	11	0.671	100	14500	100	14500	100	14500	Not allowed
31.5	1¼	20	25	3625	390	103.0	90	20.2	15	0.915	100	14500	100	14500	105	15225	Not allowed
40	1½	24	22	3190	553	146.1	100	22.5	21	1.281	90	13050	100	14500	100	14500	Not allowed
51	2	32	15	2175	838	221.4	225	50.6	45	2.746	60	8700	60	8700	90	13050	Not allowed

Pressure Drop



Pressure Drop



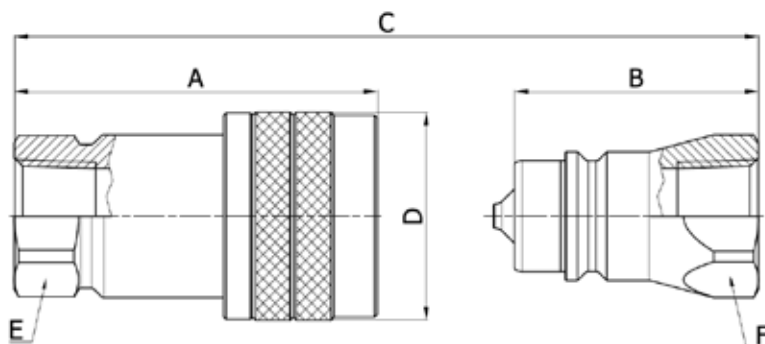
Product description:

- Reference series on the agriculture and industrial market
- Simple connection and disconnection by pulling back the sleeve
- Positive, quick connection of the male into the female by the latching ball system
- Shut-off by poppet valve
- High resistant materials and hardened male and sleeve to withstand the brinelling effect
- Interchangeability according to ISO 7241-1 series A

Material	Female and male couplings in steel, with some hardened areas, in correspondence to the most stressed points. Springs in C98 steel, seals in NBR (other materials on request) and back-up ring in PTFE
Working Temperature	-22°F up to +230°F (-30°C up to +110°C) For other temperatures, the coupling may be assembled with the specific seals
Safety Factor	4:1 for dynamic pressures
Impulse Pressures	100,000 cycles at 133% of the rated one (freq. 1Hz)
Test Specifications	ISO 7241-2

ISO A POPPET VALVES - TERMINATION ENDS

BSP



Q00811021A

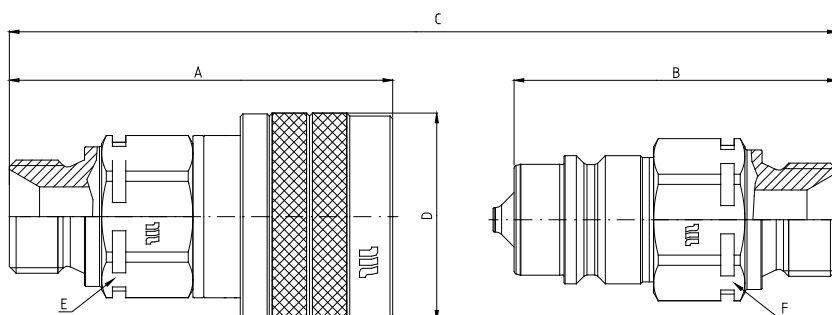
Q00211021A

BSPT TERMINATION ENDS

TO ISO 7-1

TAPERED

SIZE			PART NUMBER		THREAD	DIMENSIONS mm					
DN	inch	Size	Female coupling	Male coupling		A	B	C	D	E	F
6.3	1/4"	-04	Q00811021A-04-04	Q00211021A-04-04	1/4"	48.8	34.5	A+B-14,3	ø24	17	17
10	3/8"	-06	Q00811021A-06-06	Q00211021A-06-06	3/8"	57.8	40	A+B-17,8	ø30	22	22
12.5	1/2"	-08	Q00811021A-08-08	Q00211021A-08-08	1/2"	67.1	45	A+B-22,1	ø38	27	27
20	3/4"	-12	Q00811021A-12-12	Q00211021A-12-12	3/4"	83.5	56.5	A+B-27	ø45	34	34



Q00811050A

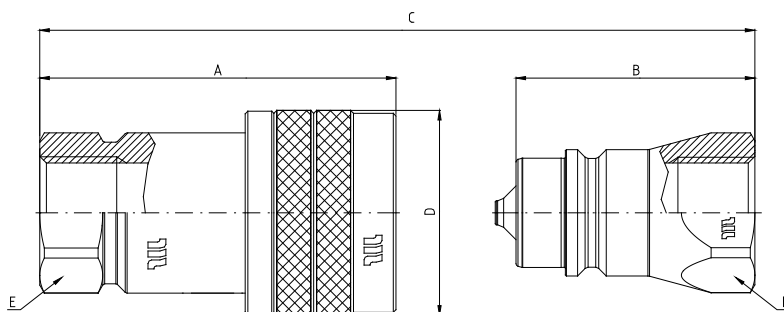
Q00211050A

BSP TERMINATION ENDS

TO ISO 8434-6

SIZE			PART NUMBER		THREAD	DIMENSIONS mm					
DN	inch	Size	Female coupling	Male coupling		A	B	C	D	E	F
10	3/8"	-06	Q00811050A-06-06	Q00211050A-06-06	3/8"	64.7	56.2	A+B-17,5	ø30	22	22
12.5	1/2"	-08	Q00811050A-08-06	Q00211050A-08-06	3/8"	68.9	57.7	A+B-21,8	ø38	27	27
			Q00811050A-08-08	Q00211050A-08-08	1/2"	71.4	60.2	A+B-21,8	ø38	27	27

BSP



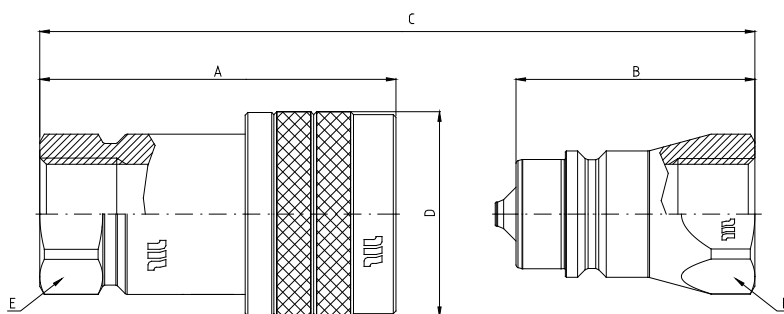
Q00811041A

Q00211041A

BSP TERMINATION ENDS

TO DIN 3852 X TYPE

SIZE			PART NUMBER		THREAD	DIMENSIONS mm					
DN	inch	Size	Female coupling	Male coupling		A	B	C	D	E	F
6.3	1/4"	-04	Q00811041A-04-04	Q00211041A-04-04	1/4"	48.8	34.5	A+B-14,2	ø24	17	17
10	3/8"	-06	Q00811041A-06-04	Q00211041A-06-04	1/4"	63	54.5	A+B-17,5	ø30	22	22
			Q00811041A-06-06	Q00211041A-06-06	3/8"	57.8	40	A+B-17,5	ø30	22	22
12.5	1/2"	-08	Q00811041A-08-06	Q00211041A-08-06	3/8"	66.2	55	A+B-21,8	ø38	27	27
			Q00811041A-08-08	Q00211041A-08-08	1/2"	67	45	A+B-21,8	ø38	27	27
20	3/4"	-12	Q00811041A-12-12	Q00211041A-12-12	3/4"	83.5	56.5	A+B-26,7	ø45	34	34
25	1"	-16	Q00811041A-16-12	Q00211041A-16-12	3/4"	97.9	64.5	A+B-32,7	ø52	41	41
			Q00811041A-16-16	Q00211041A-16-16	1"	97.9	64.5	A+B-32,7	ø52	41	41
31.5	1.1/4"	-20	Q00811041A-20-20	Q00211041A-20-20	1.1/4"	118	75	A+B-43	ø69	50	50
40	1.1/2"	-24	Q00811041A-24-24	Q00211041A-24-24	1.1/2"	133	84	A+B-49	ø83	60	60
51	2"	-32	Q00811041A-32-32	Q00211041A-32-32	2"	164	104	A+B-60,2	ø100	75	75



Q00811041U

Q00211041U

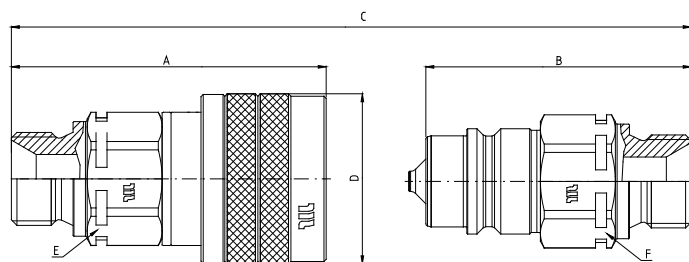
BSP TERMINATION ENDS

TO DIN 3852 X TYPE

SIZE			PART NUMBER		THREAD	DIMENSIONS mm					
DN	inch	Size	Female coupling	Male coupling		A	B	C	D	E	F
12.5	1/2"	-08	Q00811041U-08-08	Q00211041U-08-08	1/2"	67	45	A+B-21,8	ø38	27	27

POLYURETHANE SEAL ON FEMALE PART

METRIC



Q00811110A

Q00211110A

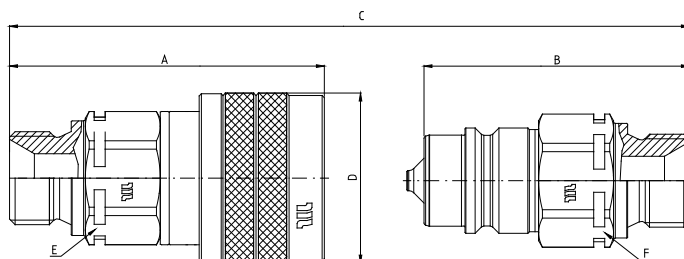
METRIC TERMINATION ENDS

TO ISO 8434-1

L SERIES

SIZE			PART NUMBER		THREAD	DIMENSIONS mm					
DN	inch	Size	Female coupling	Male coupling		A	B	C	D	E	F
6.3	1/4"	-04	Q00811110A-04-14	Q00211110A-04-14	M14x1,5	52.1	42	A+B-14,2	ø24	17	17
10	3/8"	-06	Q00811110A-06-12	Q00211110A-06-12	M12x1,5	61	52.5	A+B-17,5	ø30	22	22
			Q00811110A-06-14	Q00211110A-06-14	M14x1,5	61	52.5	A+B-17,5	ø30	22	22
			Q00811110A-06-16	Q00211110A-06-16	M16x1,5	61	52.5	A+B-17,5	ø30	22	22
			Q00811110A-06-18	Q00211110A-06-18	M18x1,5	61	52.5	A+B-17,5	ø30	22	22
12.5	1/2"	-08	Q00811110A-08-14	Q00211110A-08-14	M14x1,5	65.2	54	A+B-21,8	ø38	27	27
			Q00811110A-08-16	Q00211110A-08-16	M16x1,5	66.2	55	A+B-21,8	ø38	27	27
			Q00811110A-08-18	Q00211110A-08-18	M18x1,5	65.2	54	A+B-21,8	ø38	27	27
			Q00811110A-08-22	Q00211110A-08-22	M22x1,5	66.2	55	A+B-21,8	ø38	27	27
			Q00811110A-08-26	Q00211110A-08-26	M26x1,5	66.2	55	A+B-21,8	ø38	27	27
20	3/4"	-12	Q00811110A-12-22	Q00211110A-12-22	M22x1,5	85.7	66.3	A+B-26,7	ø45	34	34
			Q00811110A-12-26	Q00211110A-12-26	M26x1,5	85.7	66.3	A+B-26,7	ø45	34	34
			Q00811110A-12-30	Q00211110A-12-30	M30x2	87.7	68.3	A+B-26,7	ø45	34	34
25	1"	-16	Q00811110A-16-26	Q00211110A-16-26	M26x1,5	94.5	79.5	A+B-32,7	ø52	41	41
			Q00811110A-16-30	Q00211110A-16-30	M30x2	96.5	81.5	A+B-32,7	ø52	41	41
			Q00811110A-16-36	Q00211110A-16-36	M36x2	97	81.5	A+B-32,7	ø52	41	41

METRIC



Q00811120A

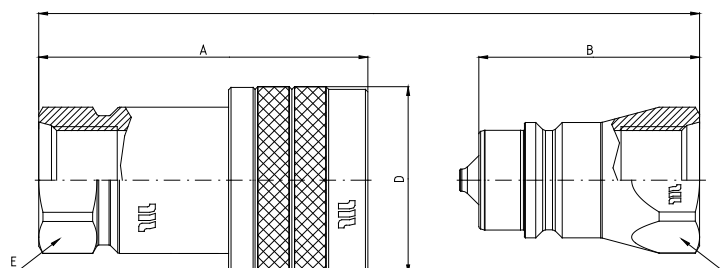
Q00211120A

METRIC TERMINATION ENDS

TO ISO 8434-1

S SERIES

SIZE			PART NUMBER		THREAD	DIMENSIONS mm					
DN	inch	Size	Female coupling	Male coupling		A	B	C	D	E	F
10	3/8"	-06	Q00811120A-06-16	Q00211120A-06-16	M16x1,5	62	53.5	A+B-17,5	ø30	22	22
			Q00811120A-06-18	Q00211120A-06-18	M18x1,5	62	53.5	A+B-17,5	ø30	22	22
12.5	1/2"	-08	Q00811120A-08-18	Q00211120A-08-18	M18x1,5	66.2	55	A+B-21,8	ø38	27	27
			Q00811120A-08-20	Q00211120A-08-20	M20x1,5	66.2	55	A+B-21,8	ø38	27	27
			Q00811120A-08-24	Q00211120A-08-24	M24x1,5	68.2	57	A+B-21,8	ø38	27	27
25	1"	-16	Q00811120A-16-30	Q00211120A-16-30	M30x2	98.5	83.5	A+B-32,7	ø52	41	41
			Q00811120A-16-36	Q00211120A-16-36	M36x2	100.5	85.5	A+B-32,7	ø52	41	41
			Q00811120A-16-42	Q00211120A-16-42	M40x2	102.5	87.5	A+B-32,7	ø52	41	41



Q00811191A

Q00211191A

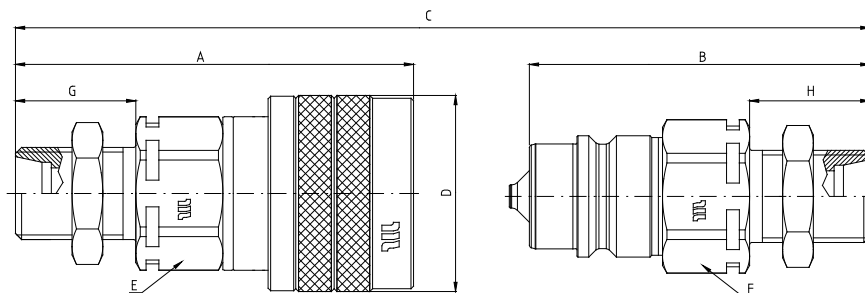
METRIC TERMINATION ENDS

TO ISO 6149-1

SIZE			PART NUMBER		THREAD	DIMENSIONS mm					
DN	inch	Size	Female coupling	Male coupling		A	B	C	D	E	F
12.5	1/2"	-08	Q00811191A-08-16	Q00211191A-08-16	M16x1,5	66.7	55.5	A+B-21,8	ø38	27	27
			Q00811191A-08-18	Q00211191A-08-18	M18x1,5	68.2	57	A+B-21,8	ø38	27	27
			Q00811191A-08-22	Q00211191A-08-22	M22x1,5	67	48	A+B-21,8	ø38	27	27

ISO A POPPET VALVES - TERMINATION ENDS

METRIC



Q00811770B

Q00211770B

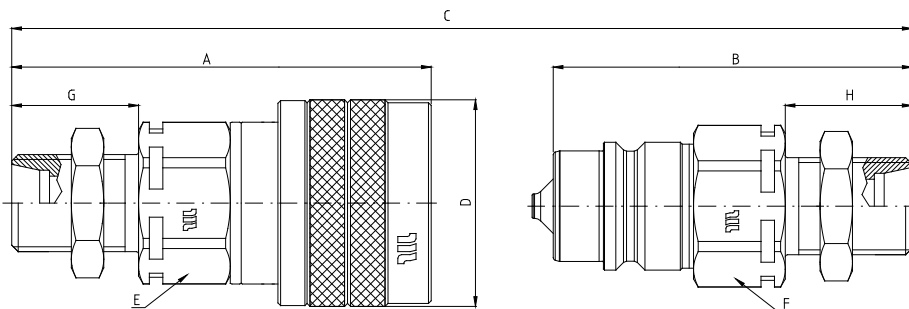
METRIC TERMINATION ENDS

TO ISO 8434-1

BULKHEAD L SERIES

SIZE			PART NUMBER		THREAD	DIMENSIONS mm							
DN	inch	Size	Female coupling	Male coupling		A	B	C	D	E	F	G	H
10	3/8"	-06	Q00811770B-06-12	Q00211770B-06-12	M12x1,5	76	67.5	A+B-17,5	ø30	22	22	25	25
			Q00811770B-06-14	Q00211770B-06-14	M14x1,5	75	66.5	A+B-17,5	ø30	22	22	25	25
			Q00811770B-06-16	Q00211770B-06-16	M16x1,5	75	66.5	A+B-17,5	ø30	22	22	26	26
			Q00811770B-06-18	Q00211770B-06-18	M18x1,5	75	66.5	A+B-17,5	ø30	22	22	26	26
12.5	1/2"	-08	Q00811770B-08-14	Q00211770B-08-14	M14x1,5	80.2	69	A+B-21,8	ø38	27	27	25	25
			Q00811770B-08-16	Q00211770B-08-16	M16x1,5	80.2	69	A+B-21,8	ø38	27	27	26	26
			Q00811770B-08-18	Q00211770B-08-18	M18x1,5	80.2	69	A+B-21,8	ø38	27	27	26	26
			Q00811770B-08-22	Q00211770B-08-22	M22x1,5	81.2	70	A+B-21,8	ø38	27	27	27	27
			Q00811770B-08-26	Q00211770B-08-26	M26x1,5	82.2	71	A+B-21,8	ø38	30	30	28	28
20	3/4"	-12	Q00811770B-12-22	Q00211770B-12-22	M22x1,5	100.7	81.3	A+B-26,7	ø45	27	27	34	34
25	1"	-16	Q00811770B-16-26	Q00211770B-16-26	M26x1,5	110.5	95.5	A+B-32,7	ø52	41	41	29	29
			Q00811770B-16-30	Q00211770B-16-30	M30x2	114.5	95.5	A+B-32,7	ø52	41	41	32	32
			Q00811770B-16-36	Q00211770B-16-36	M36x2	114.5	95.5	A+B-32,7	ø52	41	41	32	32

METRIC



Q00811870B

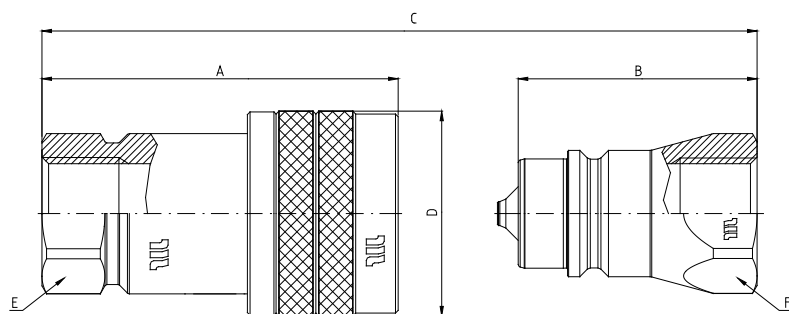
Q00211870B

METRIC TERMINATION ENDS

TO ISO 8434-1

BULKHEAD S SERIES

SIZE			PART NUMBER		THREAD	DIMENSIONS mm							
DN	inch	Size	Female coupling	Male coupling		A	B	C	D	E	F	G	H
10	3/8"	-06	Q00811870B-06-16	Q00211870B-06-16	M16x1,5	76	67.5	A+B-17,5	ø30	22	22	27	27
			Q00811870B-06-18	Q00211870B-06-18	M18x1,5	76	67.5	A+B-17,5	ø30	22	22	27	27
12.5	1/2"	-08	Q00811870B-08-18	Q00211870B-08-18	M18x1,5	81.2	70	A+B-21,8	ø38	27	27	27	27
			Q00811870B-08-20	Q00211870B-08-20	M20x1,5	81.2	70	A+B-21,8	ø38	27	27	27	27
			Q00811870B-08-24	Q00211870B-08-24	M24x1,5	83.2	72	A+B-21,8	ø38	27	27	29	29
25	1"	-16	Q00811870B-16-30	Q00211870B-16-30	M30x2	116.5	101.5	A+B-32,7	ø52	41	41	34	34
			Q00811870B-16-36	Q00211870B-16-36	M36x2	118.5	103.5	A+B-32,7	ø52	41	41	36	36
			Q00811870B-16-42	Q00211870B-16-42	M40x2	120.5	105.5	A+B-32,7	ø52	41	41	40	40



Q00811141A

Q00211141A

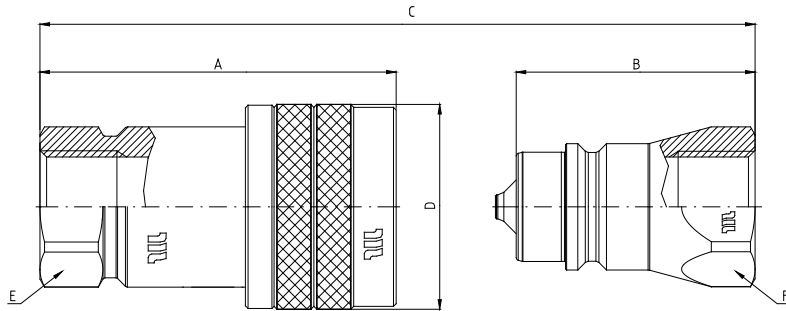
METRIC TERMINATION ENDS

TO ISO 3852-1 X TYPE

SIZE			PART NUMBER		THREAD	DIMENSIONS mm					
DN	inch	Size	Female coupling	Male coupling		A	B	C	D	E	F
10	3/8"	-06	Q00811141A-06-16	Q00211141A-06-16	M16x1,5	64.5	56	A+B-17,5	ø30	22	22
12.5	1/2"	-08	Q00811141A-08-18	Q00211141A-08-18	M18x1,5	66.2	55	A+B-21,8	ø38	27	27
			Q00811141A-08-20	Q00211141A-08-20	M20x1,5	67	45	A+B-21,8	ø38	27	27
			Q00811141A-08-22	Q00211141A-08-22	M22x1,5	67	48	A+B-21,8	ø38	27	27

ISO A POPPET VALVES - TERMINATION ENDS

NPT



Q00811341A

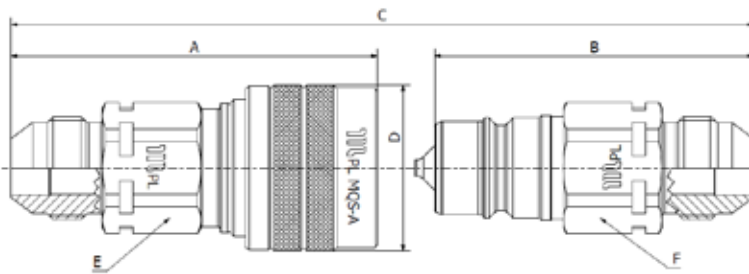
Q00211341A

NPTF TERMINATION ENDS

TO ANSI B 1.20.3

SIZE			PART NUMBER		THREAD	DIMENSIONS mm					
DN	inch	Size	Female coupling	Male coupling		A	B	C	D	E	F
6.3	1/4"	-04	Q00811341A-04-04	Q00211341A-04-04	1/4" NPTF	48.8	34.5	A+B-14,2	ø24	17	17
10	3/8"	-06	Q00811341A-06-06	Q00211341A-06-06	3/8" NPTF	57.8	40	A+B-17,5	ø30	22	22
			Q00811341A-06-08	Q00211341A-06-08	1/2" NPTF	60.8	45	A+B-17,5	ø30	27	27
12.5	1/2"	-08	Q00811341A-08-08	Q00211341A-08-08	1/2" NPTF	67	45	A+B-21,8	ø38	27	27
			Q00811341A-08-12	Q00211341A-08-12	3/4" NPTF	70	53	A+B-22	ø38	34	34
20	3/4"	-12	Q00811341A-12-12	Q00211341A-12-12	3/4" NPTF	83.5	56.5	A+B-26,7	ø45	34	34
25	1"	-16	Q00811341A-16-16	Q00211341A-16-16	1" NPTF	97.9	64.5	A+B-32,7	ø52	41	41
31.5	1.1/4"	-20	Q00811341A-20-20	Q00211341A-20-20	1.1/4" NPTF	118.0	75.0	A+B-43	ø69	50	50
40	1.1/2"	-24	Q00811341A-24-24	Q00211341A-24-24	1.1/2" NPTF	133.0	84.0	A+B-49	ø83	60	60

SAE



Q00811250A

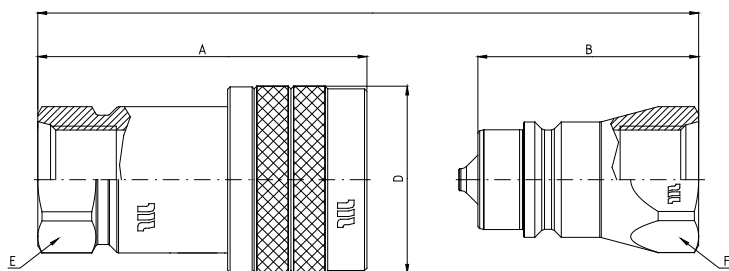
Q00211250A

SAE TERMINATION ENDS

TO ISO 8434-2

SIZE			PART NUMBER		THREAD	DIMENSIONS mm					
DN	inch	Size	Female coupling	Male coupling		A	B	C	D	E	F
10	3/8"	-06	Q00811250A-06-08	Q00211250A-06-08	3/4"-16 UNF	67	58.2	A+B-18,1	ø30	22	22

SAE



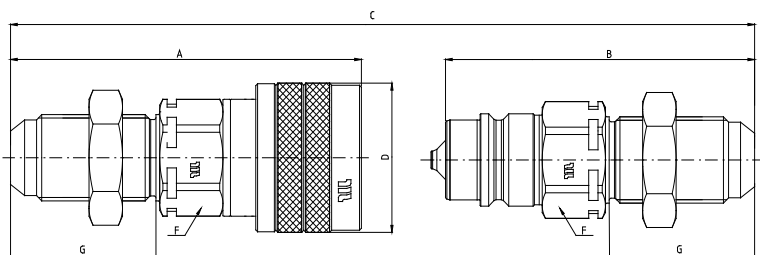
Q00811301A

Q00211301A

SAE TERMINATION ENDS

TO SAE J1926-1

SIZE			PART NUMBER		THREAD	DIMENSIONS mm					
DN	inch	Size	Female coupling	Male coupling		A	B	C	D	E	F
6.3	1/4"	-04	Q00811301A-04-06	Q00211301A-04-06	9/16"-18 UNF	50	34.5	A+B-14,2	ø24	17	17
10	3/8"	-06	Q00811301A-06-06	Q00211301A-06-06	9/16"-18 UNF	64.5	56	A+B-17,5	ø30	22	22
12.5	1/2"	-08	Q00811301A-08-08	Q00211301A-08-08	3/4"-16 UNF	67	45	A+B-21,8	ø38	27	27
			Q00811301A-08-10	Q00211301A-08-10	7/8"-14 UNF	69	50	A+B-21,8	ø38	27	27
			Q00811301A-08-12	Q00211301A-08-12	1-1/16"-12 UN	73	54	A+B-21,8	ø38	34	34



Q00811230A

Q00211230A

SAE TERMINATION ENDS

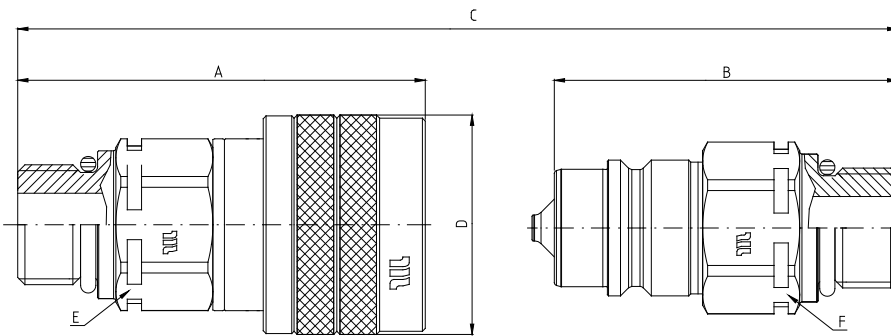
TO ISO 8434-2

BULKHEAD

SIZE			PART NUMBER		THREAD	DIMENSIONS mm					
DN	inch	Size	Female coupling	Male coupling		A	B	C	D	F	G
10	3/8"	-06	Q00811230A-06-06	Q00211230A-06-06	9/16"-18 UNF	83.8	75	A+B-18	ø30	22	32.5
			Q00811230A-06-10	Q00211230A-06-10	7/8"-14 UNF	91.3	79.6	A+B-17,5	ø30	27	41
12.5	1/2"	-08	Q00811230A-08-08	Q00211230A-08-08	3/4"-16 UNF	91.8	80.6	A+B-21,8	ø38	27	36.6
			Q00811230A-08-10	Q00211230A-08-10	7/8"-14 UNF	95.3	84.1	A+B-21,8	ø38	27	40.1

ISO A POPPET VALVES - TERMINATION ENDS

SAE



Q00811320A

Q00211320A

ORB TERMINATION ENDS

TO SAE J1926-2

S SERIES

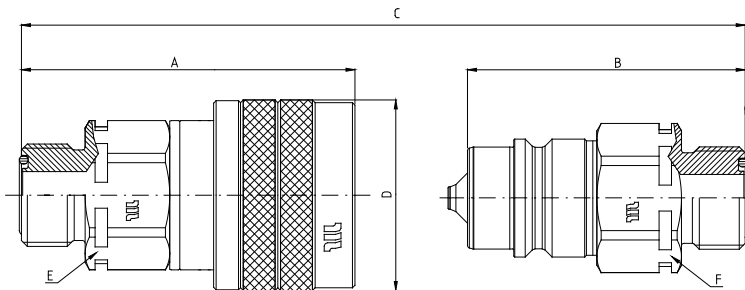
SIZE			PART NUMBER		THREAD	DIMENSIONS mm					
DN	inch	Size	Female coupling	Male coupling		A	B	C	D	E	F
10	3/8"	-06	Q00811320A-06-06	Q00211320A-06-06	9/16"-18 UNF	63	54.4	A+B-17,5	ø30	22	22
12.5	1/2"	-08	Q00811320A-08-08	Q00211320A-08-08	3/4"-16 UNF	70	60	A+B-21,8	ø38	27	27

Polyurethane seal on female part

Q.SAFE

Q 1-9

ORFS



Q00811240A

Q00211240A

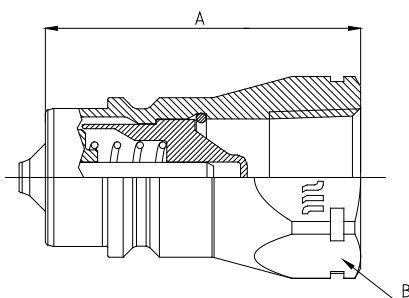
ORFS TERMINATION ENDS

TO ISO 8434-3

SIZE			PART NUMBER		THREAD	DIMENSIONS mm					
DN	inch	Size	Female coupling	Male coupling		A	B	C	D	E	F
10	3/8"	-06	Q00811240A-06-04	Q00211240A-06-04	9/16"-18 UN	60.8	52.3	A+B-17,5	ø30	22	22
			Q00811240A-06-06	Q00211240A-06-06	11/16"-16 UN	61.2	52.7	A+B-17,5	ø30	22	22
12.5	1/2"	-08	Q00811240A-08-08	Q00211240A-08-08	13/16"-16 UN	66.2	55.8	A+B-21,8	ø38	27	27
25	1"	-16	Q00811240A-16-16	Q00211240A-16-16	1.7/16"-12 UN	100	81.8	A+B-32,7	ø52	41	41

ISO A SHIELDED POPPET VALVES - TERMINATION ENDS

BSP

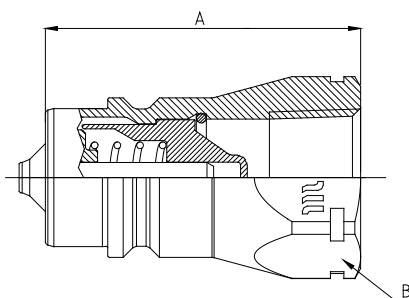


Q00411041A

BSP TERMINATION ENDS
TO DIN 3852 X TYPE

SIZE			PART NUMBER	THREAD	DIMENSIONS mm				
DN	inch	Size	Male coupling		A	B			
12.5	1/2"	08	Q00411041A-08-08	1/2"	47	27			

NPT

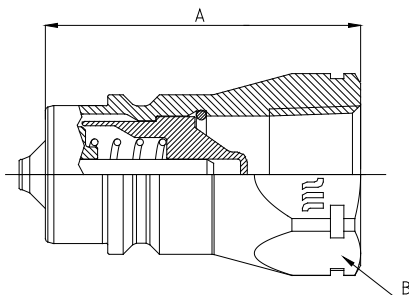


Q00411341A

NPTF TERMINATION ENDS
TO ANSI B 1.20.3

SIZE			PART NUMBER	THREAD	DIMENSIONS mm				
DN	inch	Size	Male coupling		A	B			
12.5	1/2"	08	Q00411341A-08-08	1/2" NPTF	47	27			

SAE



Q00411301A

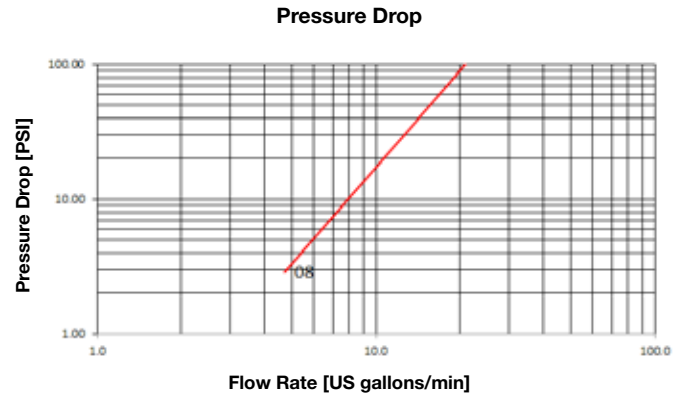
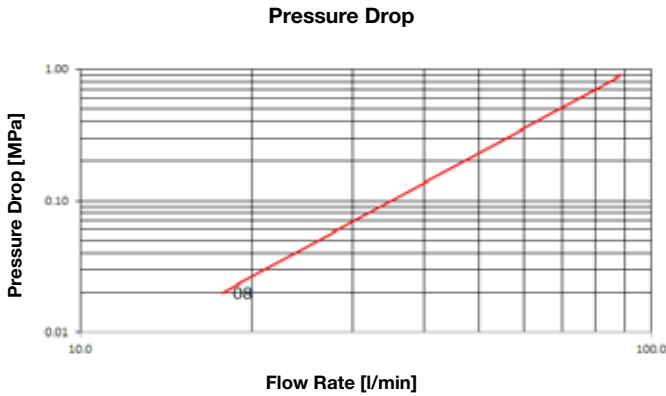
SAE TERMINATION ENDS
TO SAE J1926-1

SIZE			PART NUMBER	THREAD	DIMENSIONS mm				
DN	inch	Size	Male coupling		A	B			
12.5	1/2"	08	Q00411301A-08-08	3/4" UNF	47	27			



SIZE	WORKING PRESSURE (Dynamic)	RATED FLOW at 0.2 MPa of pressure drop	CONNECTION EFFORT	OIL SPILLAGE Connection/ Disconnection	MINIMUM BURST PRESSURE	CONNECTION/ DISCONNECTION UNDER PRESSURE

mm	inch	dash	MPa	PSI	l/min	US GPM	N	lb.	cc.	cubic inch	Male		Female		M & F		
											MPa	PSI	MPa	PSI	MPa	PSI	
12.5	½	08	21	3045	47	12.4	65	144	1.6	0.098	85	12325	100	14500	150	21750	Not allowed



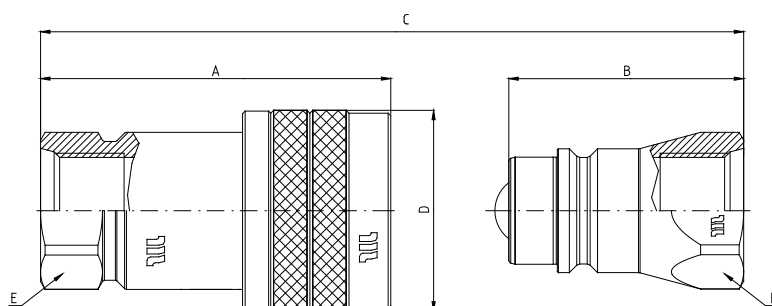
Product description:

- Simple connection and disconnection by pulling back the sleeve
- Positive, quick connection of the male into the female by the latching ball system
- Shut-off by ball valve
- High resistant materials and hardened male and sleeve to withstand the brinelling effect
- Interchangeability according to ISO 7241-1 series A

Material	Female couplings in steel, with some hardened areas, in correspondence to the most stressed points. Male couplings in high grade carbon steel. Springs in C98 steel, seals in NBR (other materials on request) and back-up ring in PTFE
Working Temperature	-22°F up to +230°F (-30°C up to +110°C) For other temperatures, the coupling may be assembled with the specific seals
Safety Factor	4:1 for dynamic pressures
Impulse Pressures	100,000 cycles at 133% of the rated one (freq. 1Hz)
Test Specifications	ISO 7241-2

ISO A BALL VALVES - TERMINATION ENDS

BSP



Q00911041A

Q00311041A

BSP TERMINATION ENDS

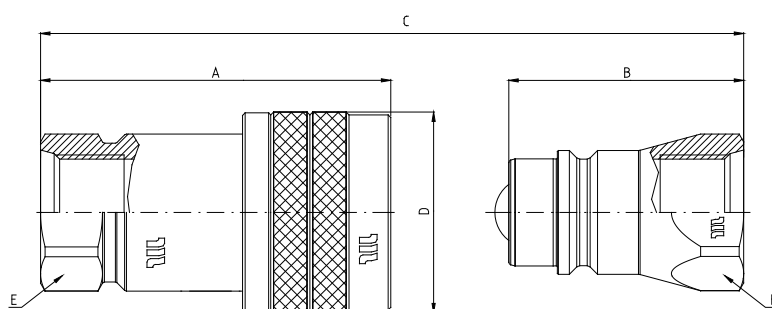
TO DIN 3852

SIZE			PART NUMBER		THREAD	DIMENSIONS mm					
DN	inch	Size	Female coupling	Male coupling		A	B	C	D	E	F
12.5	1/2"	-08	Q00911041A-08-08	Q00310041A-08-08	1/2"	68.2	46.2	A+B-21,8	ø38	27	27

Q-SAFE

Q-113

NPT



Q00911341A

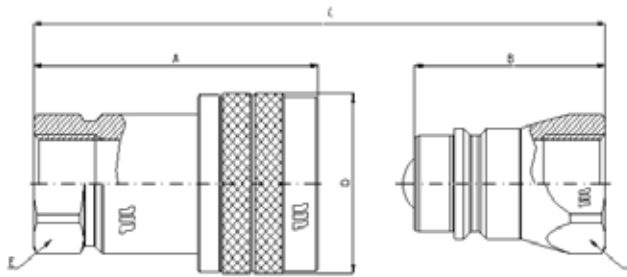
Q00310341A

NFTS TERMINATION ENDS

TO ANSI B 1.20.3

SIZE			PART NUMBER		THREAD	DIMENSIONS mm					
DN	inch	Size	Female coupling	Male coupling		A	B	C	D	E	F
12.5	1/2"	-08	Q00911341A-08-08	Q00310341A-08-08	1/2" NPTF	68.2	46.2	A+B-21,8	ø38	27	27

NPT



Q00911341A

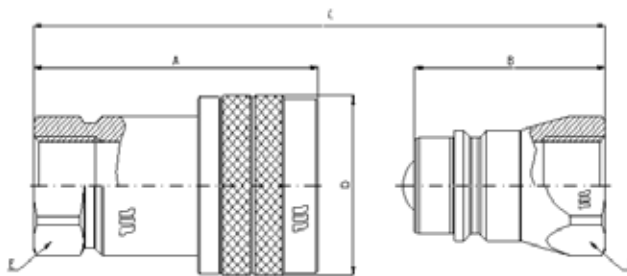
Q00310341A

NFTS TERMINATION ENDS

TO ANSI B 1.20.3

SIZE			PART NUMBER		THREAD	DIMENSIONS mm					
DN	inch	Size	Female coupling	Male coupling		A	B	C	D	E	F
12.5	1/2"	-08	Q00911341A-08-08	Q00310341A-08-08	1/2" NPTF	68.2	46.2	A+B-21,8	ø38	27	27

SAE



Q00911301A

Q00310301A

SAE TERMINATION ENDS

TO SAE J1926-1

SIZE			PART NUMBER		THREAD	DIMENSIONS mm					
DN	inch	Size	Female coupling	Male coupling		A	B	C	D	E	F
12.5	1/2"	-08	Q00911301A-08-08	Q00310301A-08-08	3/4"-16 UNF	67	45	A+B-21,8	ø38	27	27

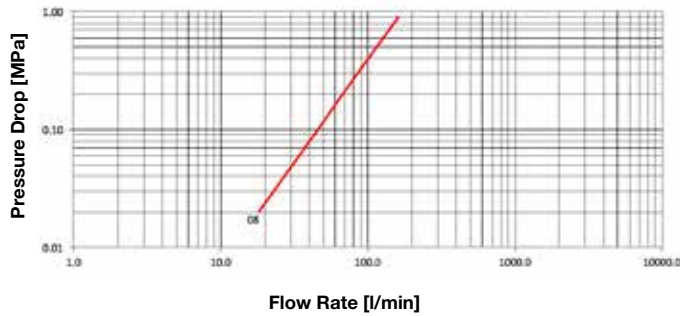
ISO A CONNECTABLE UNDER PRESSURE



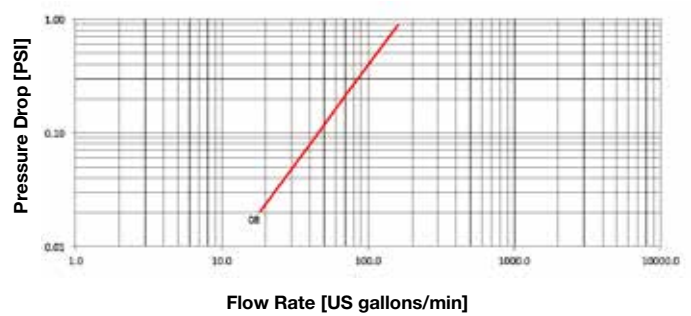
SIZE	WORKING PRESSURE (Dynamic)	RATED FLOW at 0.2 MPa of pressure drop	CONNECTION EFFORT	OIL SPILLAGE Connection/ Disconnection	MINIMUM BURST PRESSURE		CONNECTION/ DISCONNECTION UNDER PRESSURE

mm	inch	dash	MPa	PSI	L/min	US GPM	N	lb.	cc.	cubic inch	Male		Female		M & F		
											MPa	PSI	MPa	PSI	MPa	PSI	
12.5	½	08	30	4350	68	18.0	80	178	2	0.122	120	17400	120	17400	160	23200	Only connection
										With 0 MPa pressure							

Pressure Drop



Pressure Drop



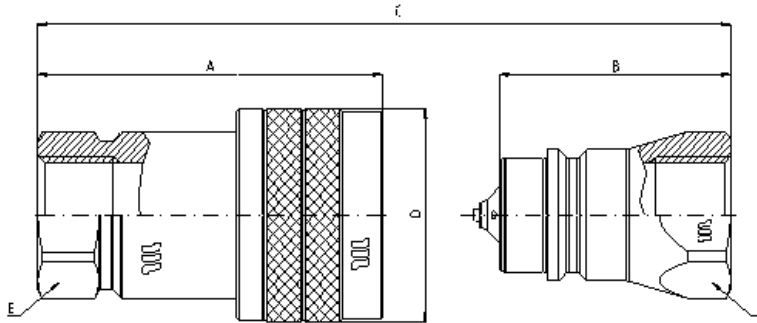
Product description:

- Connectable under pressure thanks to a frontal micro-valve
- Connection and disconnection is possible by pulling back the sleeve
- Positive, quick connection of the male into the female by the latching ball system
- Shut-off by poppet valve
- High resistant materials
- Connectability at the maximum working pressure
- Interchangeable according to ISO 7241 series A

Material	Female couplings in steel, with some hardened areas, in correspondence to the most stressed points. Male couplings in high grade carbon steel. Springs in C98 steel, seals in NBR and polyurethane (other materials on request) and back-up ring in PTFE
Working Temperature	-22°F up to +230°F (-30°C up to +110°C) For other temperatures, the quick coupling is assembled with specific seals
Safety Factor	4:1 for dynamic pressures
Impulse Pressures	Withstands 100,000 cycles of impulse pressure at 133% of the rated one (freq. 1Hz)
Test Specifications	ISO 7241-2

ISO A CONNECTABLE UNDER PRESSURE - TERMINATION ENDS

BSP



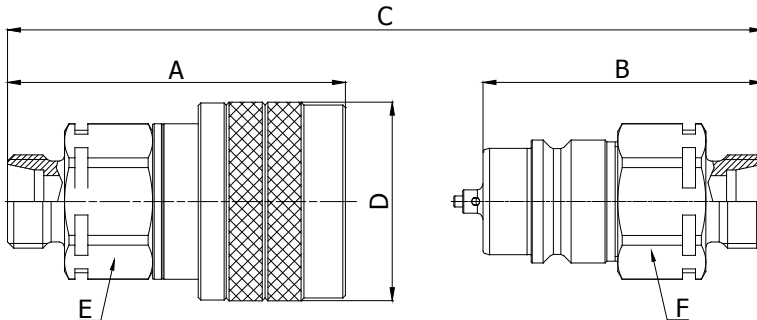
Q01011041A

Q00611041A

**BSP TERMINATION ENDS
TO DIN 3852 X TYPE**

SIZE			PART NUMBER		THREAD	DIMENSIONS mm					
DN	inch	Size	Female coupling	Male coupling		A	B	C	D	E	F
12.5	1/2"	-08	Q01011110A-08-18	Q00611110A-08-18	M18x1,5	65.2	54	A+B-21,8	ø38	27	27

METRIC



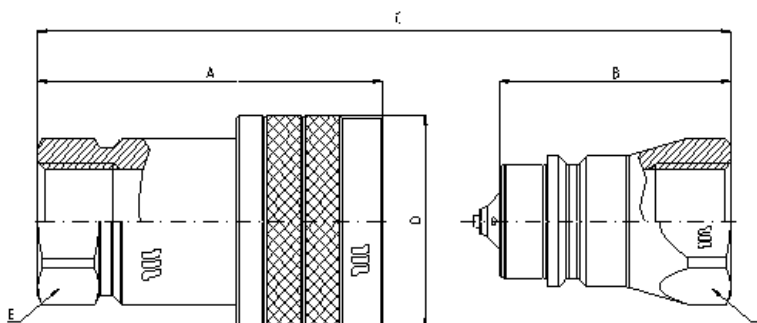
Q01011110A

Q00611110A

**METRIC TERMINATION END
TO ISO 8434-1
L SERIES**

SIZE			PART NUMBER		THREAD	DIMENSIONS mm					
DN	inch	Size	Female coupling	Male coupling		A	B	C	D	E	F
12.5	1/2"	-08	Q01011110A-08-18	Q00611110A-08-18	M18x1,5	65.2	54	A+B-21,8	ø38	27	27

NPT



Q01011341A

Q00611341A

**NPTF TERMINATION END
TO ANSI B 1.20.3**

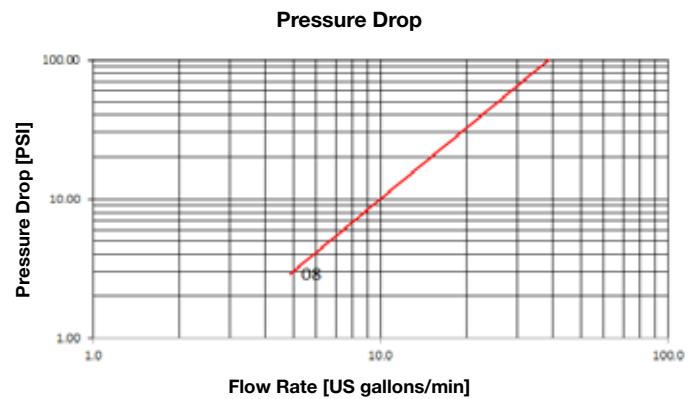
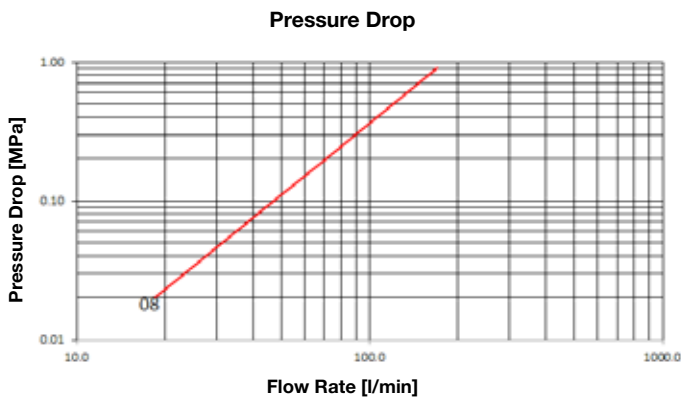
SIZE			PART NUMBER		THREAD	DIMENSIONS mm					
DN	inch	Size	Female coupling	Male coupling		A	B	C	D	E	F
12.5	1/2"	-08	Q01011110A-08-18	Q00611110A-08-18	M18x1,5	65.2	54	A+B-21,8	ø38	27	27



ISO A FEMALE CONNECTABLE UNDER PRESSURE

SIZE	WORKING PRESSURE (Dynamic)	RATED FLOW at 0.2 MPa of pressure drop	CONNECTION EFFORT	OIL SPILLAGE Connection/ Disconnection	MINIMUM BURST PRESSURE		CONNECTION/ DISCONNECTION UNDER PRESSURE

mm	inch	dash	MPa	PSI	l/min	US GPM	N	lb.	cc.	cubic inch	Female		M & F		Connection only, with male under pressure
											MPa	PSI	MPa	PSI	
12.5	½	08	30	4350	71	18.8	80	178	2	0.122	125	18125	125	18125	



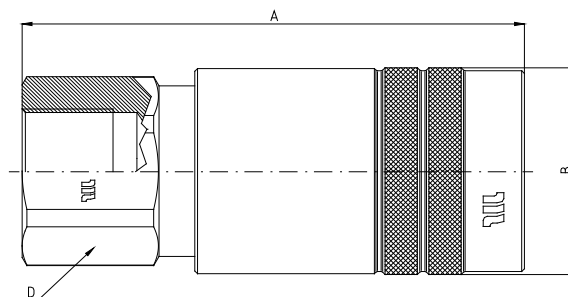
Product description:

- Connectable with male ISO A under pressure
- High working pressure 30MPa
- Simple connection and disconnection by pulling back the sleeve
- No shut-off, Manuli mechanical valve block system
- Installations on hoses, pipe and direct to port
- Wide range of termination ends
- Interchangeability according to ISO 7241-1 part A

Material	Female couplings in steel, with some hardened areas, in correspondence to the most stressed points. Carbonitrided valve, and sleeve, springs in C98 steel, seals in NBR (other materials on request) and back-up ring in PTFE
Working Temperature	-22°F up to +230°F (-30°C up to +110°C) For other temperatures, the quick coupling is assembled with specific seals
Safety Factor	4:1 for dynamic pressures
Impulse Pressures	500,000 cycles (connected and disconnected conditions) at 120% of the rated one (freq. 1Hz)
Test Specifications	ISO 7241-2

ISO A MALE CONNECTABLE UNDER PRESSURE - TERMINATION ENDS

BSP



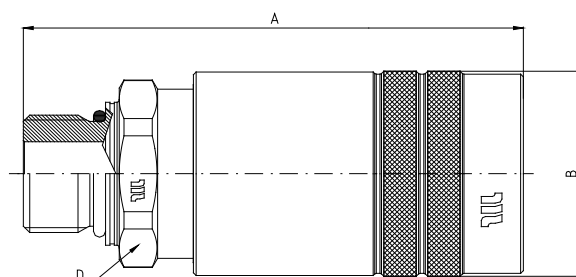
Q01111041A

BSP TERMINATION ENDS

TO DIN 3852 X TYPE

SIZE			PART NUMBER	THREAD	DIMENSIONS mm					
DN	inch	Size	Female coupling		A	B	D			
12.5	1/2"	-08	Q01111041A-08-08	1/2"	91.7	ø38,3	32			

METRIC



Q01111190A

METRIC TERMINATION ENDS

TO ISO 6149-1

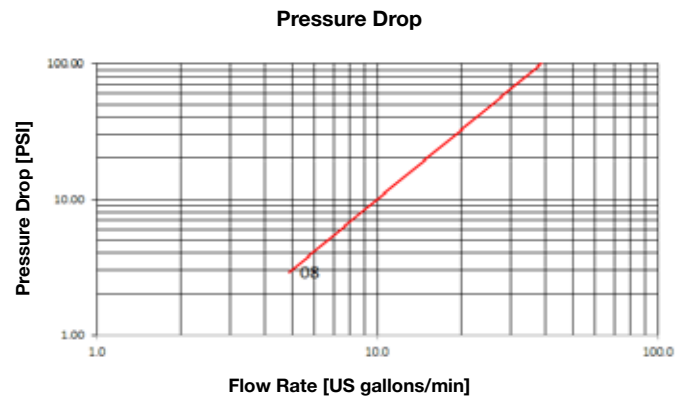
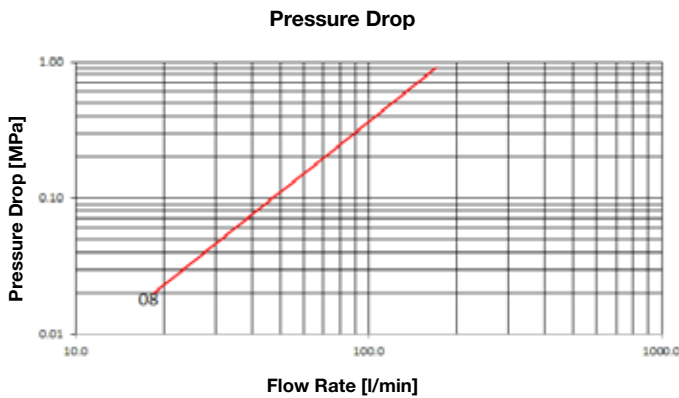
SIZE			PART NUMBER	THREAD	DIMENSIONS mm					
DN	inch	Size	Female coupling		A	B	D			
12.5	1/2"	-08	Q01111190A-08-22	M22x1,5	91.2	ø38,3	32			



ISO A FEMALE CONNECTABLE UNDER PRESSURE

	MPa		N			
SIZE	WORKING PRESSURE (Dynamic)	RATED FLOW at 0.2 MPa of pressure drop	CONNECTION EFFORT	OIL SPILLAGE Connection/ Disconnection	MINIMUM BURST PRESSURE	
					CONNECTION/ DISCONNECTION UNDER PRESSURE	

mm	inch	dash	MPa	PSI	l/min	US GPM	N	lb.	cc.	cubic inch	Female		M & F		Connection only, with male and female under pressure
											MPa	PSI	MPa	PSI	
12.5	½	08	30	4350	71	18.8	80	178	2	0.122	125	18125	125	18125	



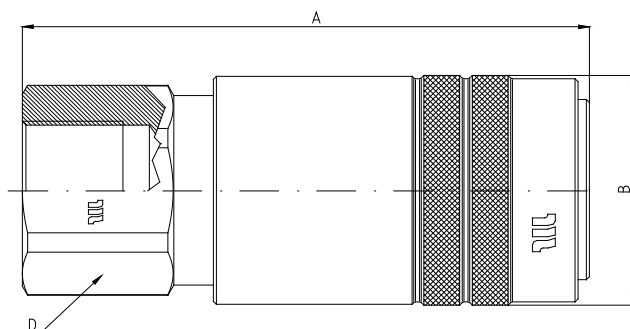
Product description:

- Connectable with male (ISO A) and female under pressure
- High working pressure 30MPa
- Simple connection and disconnection by pulling back the sleeve
- No shut-off, Manuli mechanical valve block system
- Installations on hoses, pipe and direct to port
- Wide range of termination ends
- Interchangeable according to ISO 7241-1 part A

Material	Female couplings in steel, with some hardened areas, in correspondence to the most stressed points. Carbonitrided valves and sleeve, springs in C98 steel, seals in NBR and polyurethane (other materials on request) and back-up ring in PTFE
Working Temperature	-22°F up to +230°F (-30°C up to +110°C) For other temperatures, the quick coupling is assembled with specific seals
Safety Factor	4:1 for dynamic pressures
Impulse Pressures	500,000 cycles (connected and disconnected conditions) at 120% of the rated one (freq. 1Hz)
Test Specifications	ISO 7241-2

ISO A BOTH PARTS CONNECTABLE UNDER PRESSURE - TERMINATION ENDS

BSP



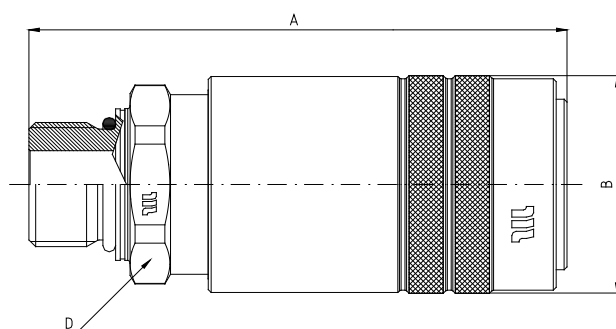
Q01211041A

BSP TERMINATION ENDS

TO DIN3852

SIZE			PART NUMBER	THREAD	DIMENSIONS mm					
DN	inch	Size	Female coupling		A	B	D			
12.5	1/2"	-08	Q01211041A-08-08	1/2"	93.6	ø38,3	32			

METRIC



Q01211190A

METRIC TERMINATION ENDS

TO ISO 6149-2

SIZE			PART NUMBER	THREAD	DIMENSIONS mm					
DN	inch	Size	Female coupling		A	B	D			
12.5	1/2"	-08	Q01211190A-08-22	M22x1,5	93.1	ø38,3	32			

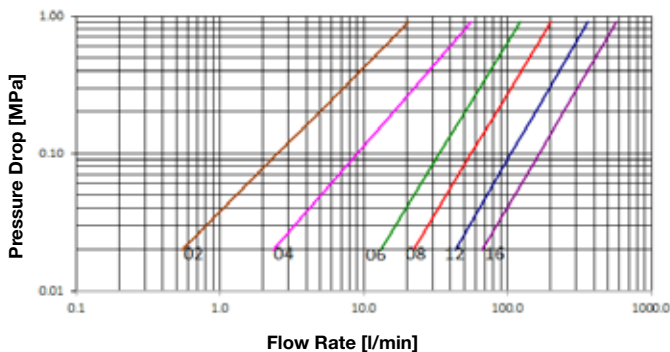


ISO B POPPET VALVES

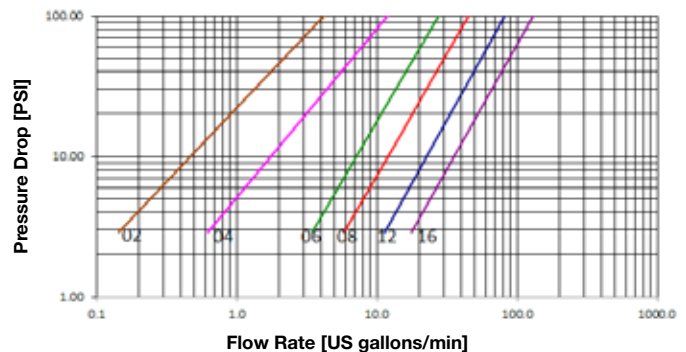
SIZE	WORKING PRESSURE (Dynamic)	RATED FLOW at 0.2 MPa of pressure drop	CONNECTION EFFORT	OIL SPILLAGE Connection/ Disconnection	MINIMUM BURST PRESSURE	CONNECTION/ DISCONNECTION UNDER PRESSURE

mm	inch	dash	MPa	PSI	l/min	US GPM	N	lb.	cc.	cubic inch	Male		Female		M & F		
											MPa	PSI	MPa	PSI	MPa	PSI	
5	1/8	02	50	7250	5	1.3	40	9.0	0.5	0.031	210	30450	270	39150	220	31900	Not allowed
6.3	1/4	04	40	5800	16	4.3	40	9.0	0.8	0.049	180	26100	190	27550	165	23925	Not allowed
10	3/8	06	35	5075	51	13.5	40	9.0	1.5	0.092	145	21025	160	23200	160	23200	Not allowed
12.5	1/2	08	35	5075	84	22.0	70	15.7	2.5	0.153	145	21025	145	21025	160	23200	Not allowed
20	3/4	12	25	3625	156	41.5	90	20.2	8.5	0.519	100	14500	100	14500	125	18125	Not allowed
25	1	16	25	3625	246	65.0	90	20.2	15.0	0.915	100	14500	100	14500	120	17400	Not allowed

Pressure Drop



Pressure Drop



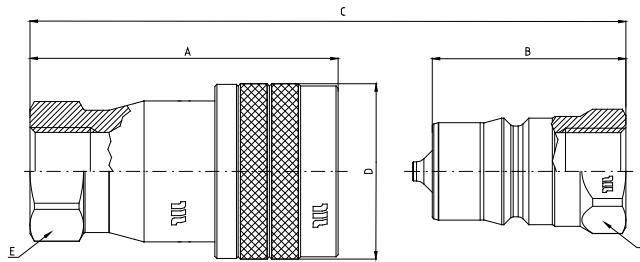
Product description:

- Reference series for all industrial applications
- Simple connection and disconnection by pulling back the sleeve
- Positive, quick connection of the male into the female by latching the ball system
- Shut-off by poppet valve
- High resistant materials
- Interchangeable according to ISO 7241-1 series B

Material	Female couplings in steel, with some hardened areas, in correspondence to the most stressed points. Male couplings in high grade carbon steel hardened. Springs in C98 steel, seals in NBR (other materials on request) and back-up ring in PTFE
Working Temperature	-22°F up to +230°F (-30°C up to +110°C) For other temperatures, the quick coupling is assembled with specific seals
Safety Factor	4:1 for dynamic pressures
Impulse Pressures	Withstands 100,000 cycles of impulse pressure at 133% of the rated one (freq. 1Hz)
Test Specifications	ISO 7241-2

ISO B POPPET VALVES - TERMINATION ENDS

BSP



Q02411041A

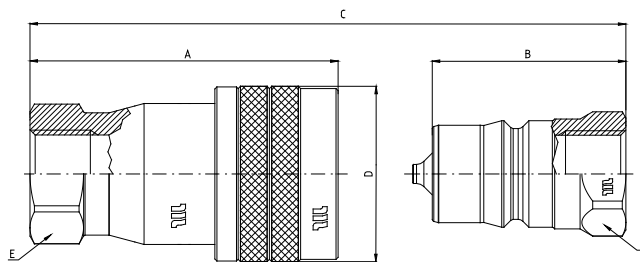
Q02111041A

BSP TERMINATION ENDS

TO DIN 3852 X TYPE

SIZE			PART NUMBER		THREAD	DIMENSIONS mm					
DN	inch	Size	Female coupling	Male coupling		A	B	C	D	E	F
5	1/8"	-02	Q02411041A-02-02	Q02111041A-02-02	1/8"	48.5	30	A+B-18,7	ø22	15	14
6.3	1/4"	-04	Q02411041A-04-04	Q02111041A-04-04	1/4"	58.8	37.2	A+B-21,2	ø28	19	19
10	3/8"	-06	Q02411041A-06-06	Q00211041A-06-06	3/8"	66.2	41.5	A+B-24,4	ø35	24	22
12.5	1/2"	-08	Q02411041A-08-08	Q02111041A-08-08	1/2"	74	46.5	A+B-27,2	ø42	30	27
20	3/4"	-12	Q02411041A-12-12	Q02111041A-12-12	3/4"	91	56.5	A+B-34,2	ø52	36	36
25	1"	-16	Q02411041A-16-16	Q02111041A-16-16	1"	104	64.5	A+B-39,2	ø60	41	41

NPT



Q02411341A

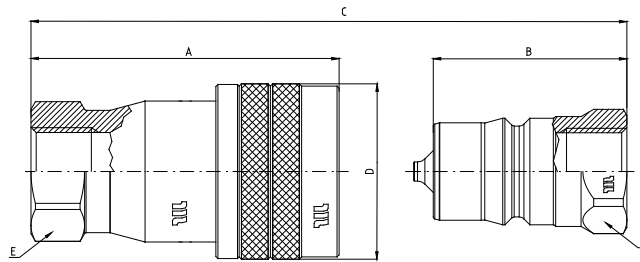
Q02111341A

NPTF TERMINATION END

TO ANSI B 1.20.3

SIZE			PART NUMBER		THREAD	DIMENSIONS mm					
DN	inch	Size	Female coupling	Male coupling		A	B	C	D	E	F
5	1/8"	-02	Q02411341A-02-02	Q02111341A-02-02	1/8" NPTF	48.5	30	A+B-18,7	ø22	15	14
6.3	1/4"	-04	Q02411341A-04-04	Q02111341A-04-04	1/4" NPTF	58.8	37.2	A+B-21,2	ø28	19	19
10	3/8"	-06	Q02411341A-06-06	Q02111341A-06-06	3/8" NPTF	66.2	41.5	A+B-24,4	ø35	24	22
12.5	1/2"	-08	Q02411341A-08-08	Q02111341A-08-08	1/2" NPTF	74	46.5	A+B-27,2	ø42	30	27
20	3/4"	-12	Q02411341A-12-12	Q02111341A-12-12	3/4" NPTF	91	56.5	A+B-34,2	ø52	36	36
25	1"	-16	Q02411341A-16-16	Q02111341A-16-16	1" NPTF	104	64.5	A+B-39,2	ø60	41	41

SAE



Q02411301A

Q02111301A

SAE TERMINATION ENDS

TO SAE J1926-1

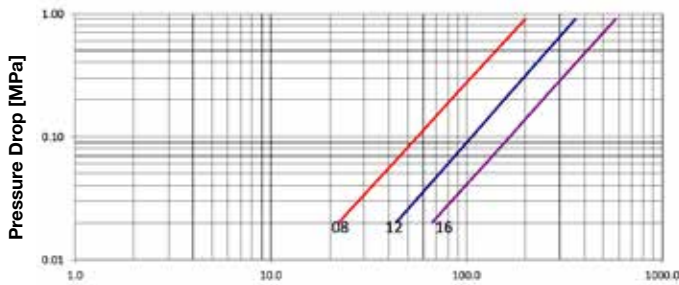
SIZE			PART NUMBER		THREAD	DIMENSIONS mm					
DN	inch	Size	Female coupling	Male coupling		A	B	C	D	E	F
6.3	1/4"	-04	Q02411301A-04-06	Q02111301A-04-06	9/16"-18UNF	62.2	40.6	A+B-21,2	ø28	19	19
10	3/8"	-06	Q02411301A-06-08	Q00211301A-06-08	3/4"-16 UNF	68.2	46	A+B-24,4	ø35	24	24
12.5	1/2"	-08	Q02411301A-08-08	Q02111301A-08-08	3/4"-16 UNF	74	46.5	A+B-27,2	ø42	30	27
20	3/4"	-12	Q02411301A-12-12	Q02111301A-12-12	1"1/16-12 UN	94	59.5	A+B-34,2	ø52	36	34
25	1"	-16	Q02411301A-16-16	Q02111301A-16-16	1"5/16-12 UN	104	64.5	A+B-39,2	ø60	41	41



	MPa		N			
SIZE	WORKING PRESSURE (Dynamic)	RATED FLOW at 0.2 MPa of pressure drop	CONNECTION EFFORT	OIL SPILLAGE Connection/ Disconnection	MINIMUM BURST PRESSURE	CONNECTION/ DISCONNECTION UNDER PRESSURE

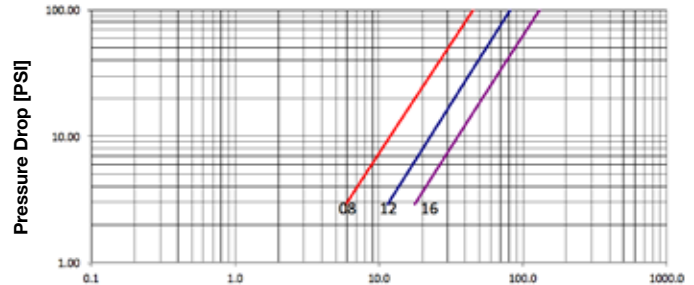
mm	inch	dash	MPa	PSI	l/min	US GPM	N	lb.	cc.	cubic inch	Male		Female		M & F		
											MPa	PSI	MPa	PSI	MPa	PSI	
12.5	½	08	42	6090	51	13.5	70	156	2.5	0.153	140	20300	140	20300	180	26100	Not allowed
20	¾	12	35	5075	102	26.9	90	200	8.5	0.519	100	14500	100	14500	150	21750	Not allowed
25	1	16	35	5075	170	44.9	90	200	15	0.916	100	14500	100	14500	140	20300	Not allowed

Pressure Drop



Flow Rate [l/min]

Pressure Drop



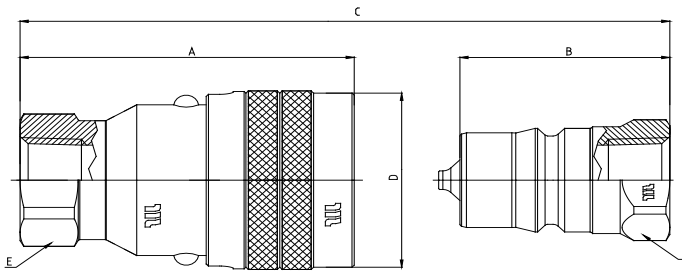
Flow Rate [US gallons/min]

Product description:

- MQS-B BOP VERSION is designed for BOP (Blow-out preventer) service in Oil & Gas Industry
- Simple connection & disconnection by pulling back the sleeve
- Safety system on the female part to avoid accidental disconnection
- Positive quick connection of the male into the female by latching ball system
- Poppet valve sealing system that guarantee high sealing performance at low & high pressure
- ECOAT zinc plating with improved corrosion protection and environmentally friendly process
- Female & Male Coupling with red identification for an easy visual verification
- ISO 7241-1 series B interchangeable
- API 16D approval.

Material	Female & male couplings in high grade carbon steel with hardened areas in correspondence to the most stressed points. Seal in Viton with back-up in PTFE.
Working Temperature	-25°C to +200°C
Safety Factor	4.1 in CONNECTED & DISCONNECTED conditions
Impulse Pressures	Withstands 100,000 cycles of impulse pressure at 133% of the rated one (freq. 1Hz)
Test Specifications	ISO 7241-2 , Flame resistance test to API 16D

NPT



Q02613341F

Q02113341F

NPTF TERMINATION ENDS

TO ANSI B1.20.3

SIZE			PART NUMBER		THREAD	DIMENSIONS mm					
DN	inch	Size	Female coupling	Male coupling		A	B	C	D	E	F
12.5	1/2"	-08	Q02613341F-08-08	Q02113341F-08-08	1/2" NPTF	74	46.5	A+B-27,2	ø44	30	27
20	3/4"	-12	Q02613341F-12-12	Q02113341F-12-12	3/4" NPTF	91	56.5	A+B-34,2	ø54	36	34
25	1"	-16	Q02613341F-16-16	Q02113341F-16-16	1" NPTF	104	64.5	A+B-39,2	ø64	46	41

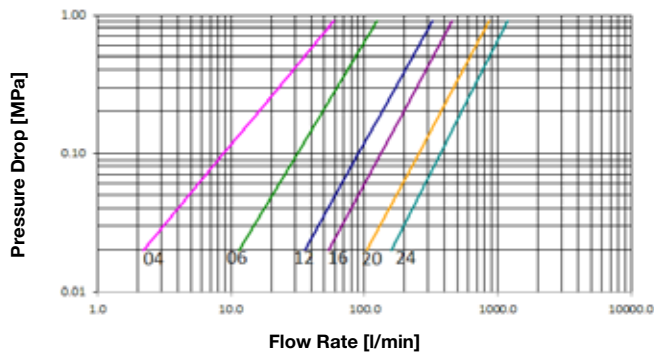
STANDARD POPPET VALVE



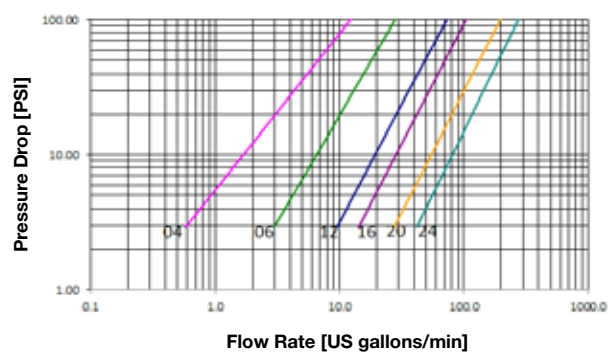
SIZE	WORKING PRESSURE (Dynamic)	RATED FLOW at 0.2 MPa of pressure drop	CONNECTION EFFORT	OIL SPILLAGE Connection/ Disconnection	MINIMUM BURST PRESSURE	CONNECTION/ DISCONNECTION UNDER PRESSURE

mm	inch	dash	MPa	PSI	l/min	US GPM	N	lb.	cc.	cubic inch	Male		Female		M & F		
											MPa	PSI	MPa	PSI	MPa	PSI	
6.3	¼	04	35	5075	16	4.2	40	89	0.8	0.049	190	27500	190	27500	140	20300	Not allowed
10	⅜	06	35	5075	49	12.9	65	144	1.3	0.079	150	21750	160	23200	160	23200	Not allowed
12.5	½	08	See ISO A Series														
20	¾	12	25	3625	135	35.7	80	178	7	0.427	110	15950	100	14500	120	17400	Not allowed
25	1	16	25	3625	196	51.8	90	200	11	0.672	100	14500	110	15950	120	17400	Not allowed
31.5	1¼	20	22	3190	376	99.3	105	233	15	0.916	90	13050	90	13050	100	14500	Not allowed
40	1½	24	21	3045	536	141.6	115	256	24	1.465	85	12325	90	13050	100	14500	Not allowed

Pressure Drop



Pressure Drop

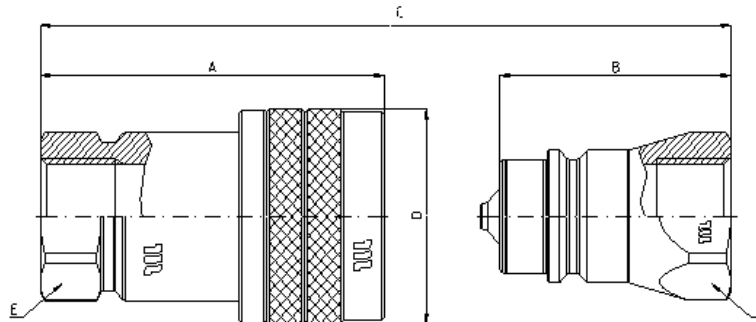


Product description:

- Historical series for the agriculture market
- Simple connection and disconnection by pulling back the sleeve
- Positive, quick connection of the male into the female by latching the ball system
- Shut-off by poppet valve
- High resistant materials
- Interchangeable with similar products available on the market (½" size according to ISO 7241-1 series A)

Material	Female couplings in steel, with some hardened areas, in correspondence to the most stressed points. Male couplings in high grade carbon steel hardened. Springs in C98 steel, seals in NBR (other materials on request) and back-up ring in PTFE
Working Temperature	-22°F up to +230°F (-30°C up to +110°C) For other temperatures, the quick coupling is assembled with specific seals
Safety Factor	4:1 for dynamic pressures
Impulse Pressures	100,000 cycles at 133% of the rated one (freq. 1Hz)
Test Specifications	ISO 7241-2

BSP



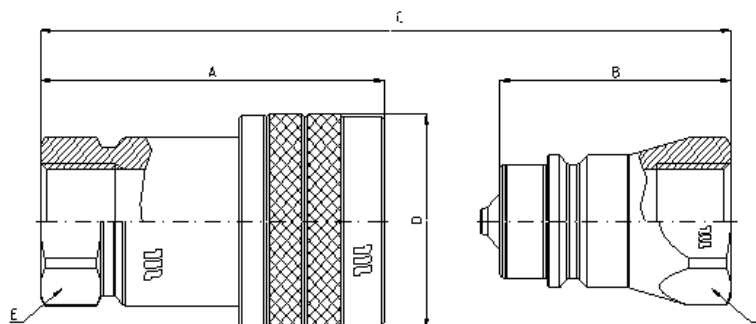
Q03211041A

Q02911041A

BSP TERMINATION ENDS

TO DIN 3852 X TYPE

SIZE			PART NUMBER		THREAD	DIMENSIONS mm								
DN	inch	Size	Female coupling	Male coupling		A	B	C	D	E	F			
6.3	1/4"	-04	Q03211041A-04-04	Q02911041A-04-04	1/4"	53.5	36.5	A+B-16,6	ø27	19	19			
10	3/8"	-06	Q03211041A-06-06	Q02911041A-06-06	3/8"	60.5	40	A+B-20,1	ø34	24	24			
12.5	1/2"	-08	SEE ISO SERIES A											
20	3/4"	-12	Q03211041A-12-12	Q02911041A-12-12	3/4"	85.5	56.5	A+B-28,3	ø47	34	34			
25	1"	-16	Q03211041A-16-16	Q02911041A-16-16	1"	98	64.5	A+B-32,9	ø52	41	41			
31.5	1.1/4"	-20	Q03211041A-20-20	Q02911041A-20-20	1.1/4"	119.5	78	A+B-41,5	ø68	50	50			
40	1.1/2"	-24	Q03211041A-24-24	Q02911041A-24-24	1.2/2"	132	88	A+B-44,2	ø80	60	60			



Q03211041B

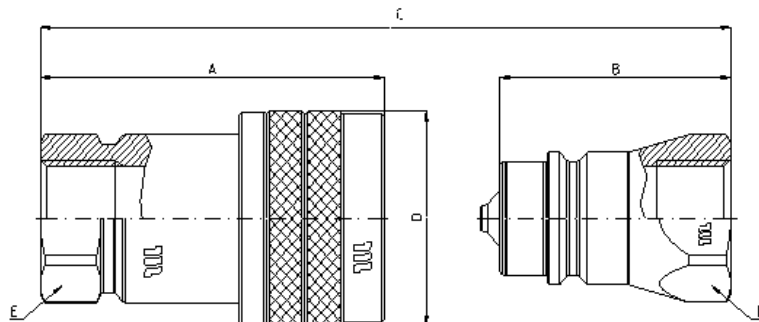
Q02911041B

BSP TERMINATION ENDS

TO DIN 3852 X TYPE

SIZE			PART NUMBER		THREAD	DIMENSIONS mm							
DN	inch	Size	Female coupling	Male coupling		A	B	C	D	E	F		
20	3/4"	-12	Q03211041B-12-12	Q02911041B-12-12	3/4"	88	56.5	A+B-31	ø47	34	34		
25	1"	-16	Q03211041B-16-16	Q02911041B-16-16	1"	98	64.5	A+B-32,9	ø52	41	41		

NPT

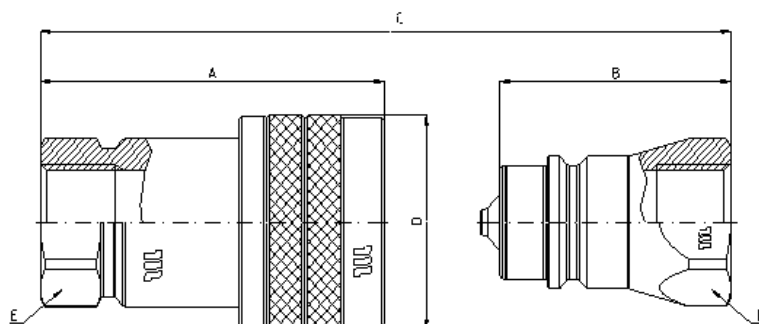


Q03211341A

Q02911341A

**NPTF TERMINATION END
TO ANSI B 1.20.3**

SIZE			PART NUMBER		THREAD	DIMENSIONS mm							
DN	inch	Size	Female coupling	Male coupling		A	B	C	D	E	F		
6.3	1/4"	-04	Q03211341A-04-04	Q02911341A-04-04	1/4" NPTF	53.5	36.5	A+B-16,6	ø27	19	19		
10	3/8"	-06	Q03211341A-06-06	Q02911341A-06-06	3/8" NPTF	60.5	40	A+B-20,1	ø34	24	24		
12.5	1/2"	-08	SEE ISO SERIES A										
20	3/4"	-12	Q03211341A-12-12	Q02911341A-12-12	3/4" NPTF	85.5	56.5	A+B-28,3	ø47	34	34		
25	1"	-16	Q03211341A-16-16	Q02911341A-16-16	1" NPTF	98	64.5	A+B-32,9	ø52	41	41		
31.5	1.1/4"	-20	Q03211341A-20-20	Q02911341A-20-20	1.1/4"	119.5	78	A+B-41,5	ø68	50	50		
40	1.1/2"	-24	Q03211341A-24-24	Q02911341A-24-24	1.2/2"	132	88	A+B-44,2	ø80	60	60		



Q03211341B

Q02911341B

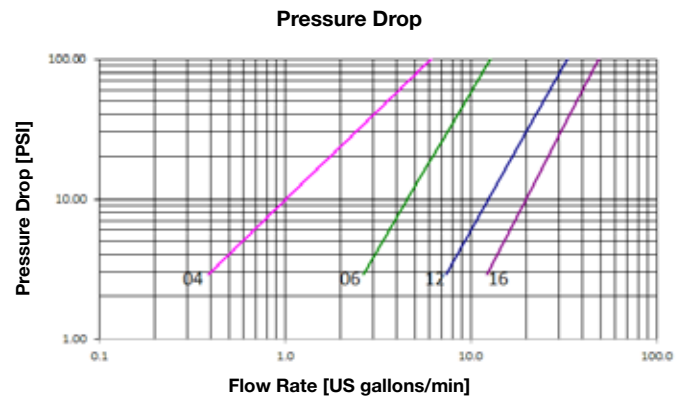
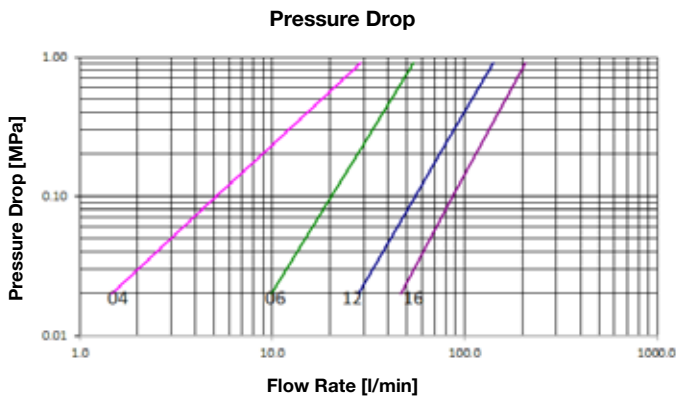
**NPTF TERMINATION END
TO ANSI B 1.20.3**

SIZE			PART NUMBER		THREAD	DIMENSIONS mm							
DN	inch	Size	Female coupling	Male coupling		A	B	C	D	E	F		
20	3/4"	-12	Q03211341B-12-12	Q02911341B-12-12	3/4" NPTF	88	56.5	A+B-31	ø47	34	34		
25	1"	-16	Q03211341B-16-16	Q02911341B-16-16	1" NPTF	98	64.5	A+B-32,9	ø52	41	41		



SIZE	WORKING PRESSURE (Dynamic)	RATED FLOW at 0.2 MPa of pressure drop	CONNECTION EFFORT	OIL SPILLAGE Connection/ Disconnection	MINIMUM BURST PRESSURE	CONNECTION/ DISCONNECTION UNDER PRESSURE

mm	inch	dash	MPa	PSI	l/min	US GPM	N	lb.	cc.	cubic inch	Male		Female		M & F		
											MPa	PSI	MPa	PSI	MPa	PSI	
6.3	¼	04	30	4350	9	2.4	40	89	0.35	0.021	140	20300	125	18125	150	21750	Not allowed
10	¾	06	25	3625	28	7.4	65	144	0.85	0.052	115	16675	120	17400	160	23200	Not allowed
12.5	½	08	See ISO A Series sealed ball														
20	¾	12	25	3625	74	19.6	75	167	3.5	0.214	100	14500	110	15950	125	18125	Not allowed
25	1	16	21	3045	114	30.1	100	222	5	0.305	85	12325	100	14500	110	15950	Not allowed



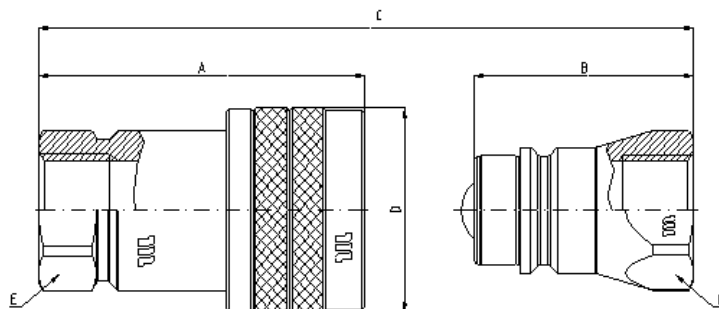
Product description:

- Historical series for the agriculture market
- Simple connection and disconnection by pulling back the sleeve
- Positive, quick connection of the male into the female by latching the ball system
- Shut-off by ball valve
- High resistant materials
- Interchangeable with poppet valve standard series and with similar products available on the market (½" size according to ISO 7241-1 series A)

Material	Female couplings in steel, with some hardened areas, in correspondence to the most stressed points. Male couplings in high grade carbon steel hardened. High-resistance latching balls, springs in C98 steel, seals in NBR and back-up ring in PTFE
Working Temperature	-22°F up to +230°F (-30°C up to +110°C) For other temperatures, the quick coupling is assembled with specific seals
Safety Factor	4:1 for dynamic pressures
Impulse Pressures	100,000 cycles at 133% of the rated one (freq. 1Hz)
Test Specifications	ISO 7241-2

STANDARD (BALL) - TERMINATION ENDS

BSP



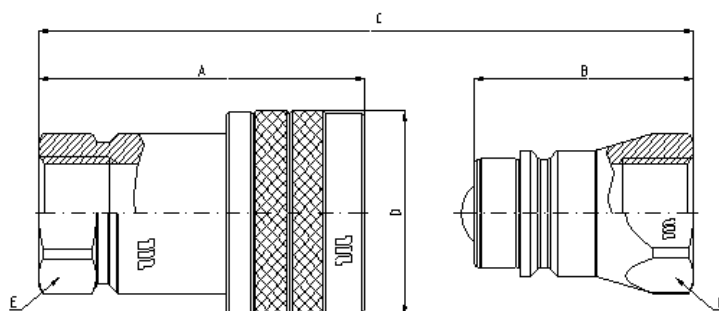
Q03311041A

Q03010041A

BSP TERMINATION ENDS

TO DIN 3852 X TYPE

SIZE			PART NUMBER		THREAD	DIMENSIONS mm							
DN	inch	Size	Female coupling	Male coupling		A	B	C	D	E	F		
6.3	1/4"	-04	Q03311041A-04-04	Q03010041A-04-04	1/4"	51.3	34.3	A+B-16,6	ø27	19	19		
10	3/8"	-06	Q03311041A-06-06	Q03010041A-06-06	3/8"	59.9	39.4	A+B-20,1	ø34	24	24		
12.5	1/2"	-08	SEE ISO SERIES A										
20	3/4"	-12	Q03311041A-12-12	Q03010041A-12-12	3/4"	85.5	56.5	A+B-28,3	ø47	34	34		
25	1"	-16	Q03311041A-16-16	Q03010041A-16-16	1"	98	64.5	A+B-32,9	ø52	41	41		



Q03311041B

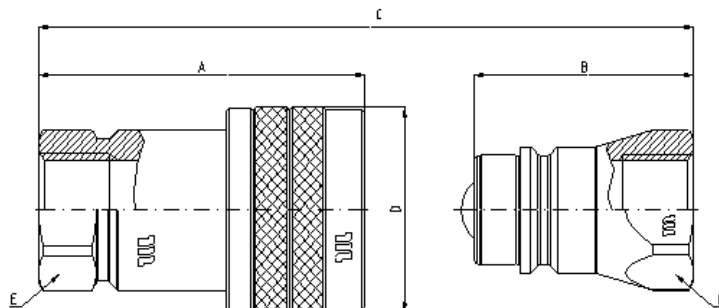
Q03010041B

BSP TERMINATION ENDS

TO DIN 3852 X TYPE

SIZE			PART NUMBER		THREAD	DIMENSIONS mm							
DN	inch	Size	Female coupling	Male coupling		A	B	C	D	E	F		
20	3/4"	-12	Q03311041B-12-12	Q03010041B-12-12	3/4"	88	58.5	A+B-31,5	ø47	34	34		

NPT



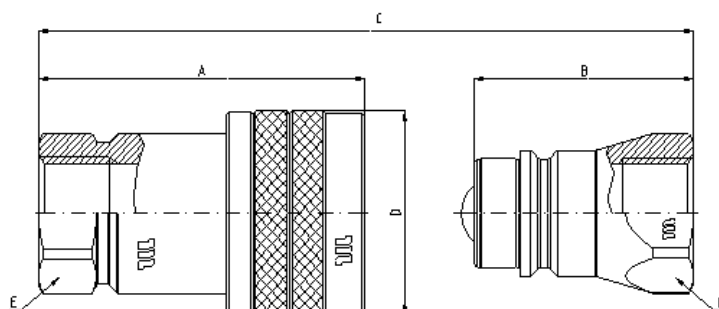
Q03311341A

Q03010341A

NPTF TERMINATION END

TO ANSI B 1.20.3

SIZE			PART NUMBER		THREAD	DIMENSIONS mm							
DN	inch	Size	Female coupling	Male coupling		A	B	C	D	E	F		
6.3	1/4"	-04	Q03311341A-04-04	Q03010341A-04-04	1/4" NPTF	51.3	34.3	A+B-16,6	ø27	19	19		
10	3/8"	-06	Q03311341A-06-06	Q03010341A-06-06	3/8" NPTF	59.9	39.4	A+B-20,1	ø34	24	24		
12.5	1/2"	-08	SEE ISO SERIES A										
20	3/4"	-12	Q03311341A-12-12	Q03010341A-12-12	3/4" NPTF	85.5	56.5	A+B-28,3	ø47	34	34		
25	1"	-16	Q03311341A-16-16	Q03010341A-16-16	1" NPTF	98	64.5	A+B-32,9	ø52	41	41		



Q03311341B





Q03010341B

NPTF TERMINATION END

TO ANSI B 1.20.3

SIZE			PART NUMBER		THREAD	DIMENSIONS mm							
DN	inch	Size	Female coupling	Male coupling		A	B	C	D	E	F		
6.3	1/4"	-04	Q03311341B-12-12	Q03010341B-12-12	3/4" NPTF	88	58.5	A+B-31,5	ø47	34	34		



			
SIZE	WORKING PRESSURE (Dynamic)	MINIMUM BURST PRESSURE	CONNECTION/ DISCONNECTION UNDER PRESSURE

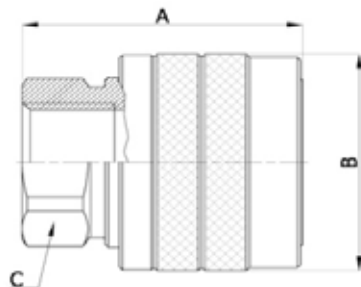
mm	inch	dash	MPa	PSI	M & F		
					MPa	PSI	
6.3	1/4	04	35	5075	160	23200	Not allowed
10	3/8	06	35	5075	145	21025	Not allowed
12.5	1/2	08	35	5075	145	21025	Not allowed

Product description:

- MQS-NL is Compact Free-Flow quick release couplings
- Simple connection & disconnection by pulling back the sleeve
- Positive quick connection of the male into the female by latching ball system
- ECOAT zinc plating with improved corrosion protection and environmentally friendly process

Material	Female & male couplings in high grade carbon steel with hardened areas in correspondence to the most stressed points. Seal in NBR with back-up in PTFE.
Working Temperature	-30°C to +110°C
Safety Factor	4.1 in CONNECTED & DISCONNECTED conditions
Impulse Pressures	100,000 cycles at 133% of the rated one (freq. 1Hz)
Test Specifications	ISO 7241-2

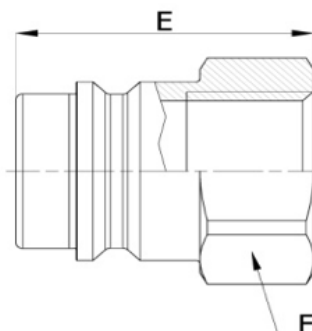
BSP



Q00381041

BSP TERMINATION ENDS
TO DIN 3852 X TYPE

SIZE			PART NUMBER	THREAD	DIMENSIONS mm								
DN	inch	Size	Female coupling		A	B	C						
6.3	1/4"	-04	Q03811041A-04-04	1/4"	33.2	27.5	19						
10	3/8"	-06	Q03811041A-06-06	3/8"	39.5	34.3	24						
12.5	1/2"	-08	Q03811041A-08-08	1/2"	44	38.3	27						



Q03710041

BSP TERMINATION ENDS
TO DIN 3852 X TYPE

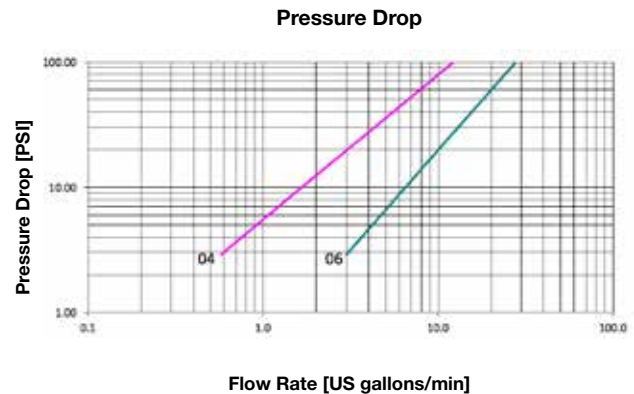
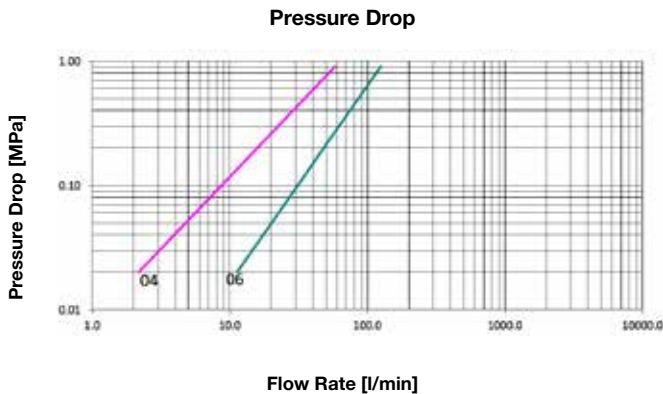
SIZE			PART NUMBER	THREAD	DIMENSIONS mm								
DN	inch	Size	Male coupling		E	F							
6.3	1/4"	-04	Q03710041A-04-04	1/4"	27.5	19							
10	3/8"	-06	Q03710041A-06-06	3/8"	29	24							
12.5	1/2"	-08	Q03710041A-08-08	1/2"	34	27							

STANDARD PUSH-PULL



SIZE	WORKING PRESSURE (Dynamic)	RATED FLOW at 0.2 MPa of pressure drop	CONNECTION EFFORT	OIL SPILLAGE Connection/ Disconnection	MINIMUM BURST PRESSURE	CONNECTION/ DISCONNECTION UNDER PRESSURE

mm	inch	dash	MPa	PSI	l/min	US GPM	N	lb.	cc.	cubic inch	Female		M & F		
											MPa	PSI	MPa	PSI	
6.3	¼	04	35	5075	16	4.2	65	144	0.8	0.049	230	33350	140	20300	Not allowed
10	¾	06	35	5075	49	12.9	100	222	1.3	0.079	170	24650	150	21750	Not allowed
12.5	½	08	See ISO A Series												



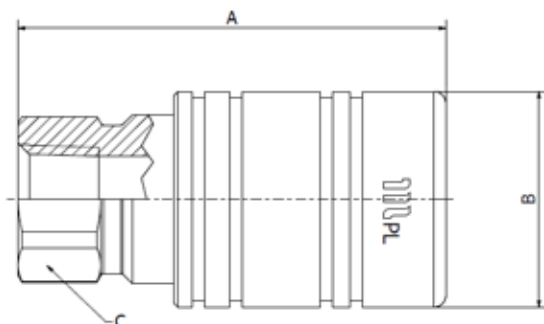
Product description:

- Female couplings designed for Agriculture applications, interchangeable with male part MQS-N
- Push-Pull connection/disconnection
- Break-away function according to ISO 5675 (in case of bulkhead mounting on the external sleeve)
- Positive connection by latching ball system
- Shut-off by poppet valve

Material	Female & male couplings in high grade carbon steel with hardened areas in correspondence to the most stressed points. Seal in NBR with back-up in PTFE.
Working Temperature	-30°C to +110°C
Safety Factor	4.1 in CONNECTED & DISCONNECTED conditions
Impulse Pressures	100,000 cycles at 133% of the rated one (freq. 1Hz)
Test Specifications	ISO 7241-2

STANDARD PUSH-PULL - TERMINATION ENDS

BSP

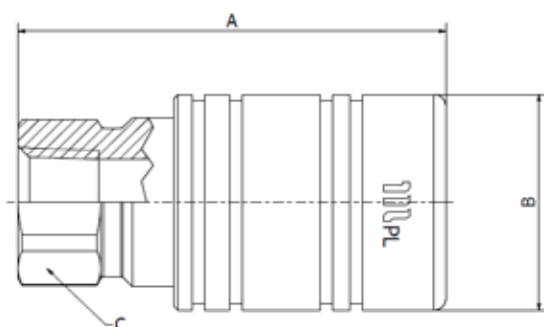


Q03611041A

BSP TERMINATION ENDS
TO DIN 3852 X TYPE

SIZE			PART NUMBER	THREAD	DIMENSIONS mm					
DN	inch	Size	Female coupling		A	B	C			
6.3	1/4"	-04	Q03611041A-04-04	1/4"	53.5	ø27	19			
10	3/8"	-06	Q03611041A-06-06	3/8"	60.5	ø33	24			

NPT



Q03611341A

NPT TERMINATION ENDS
TO ANSI B 1.20.3

SIZE			PART NUMBER	THREAD	DIMENSIONS mm					
DN	inch	Size	Female coupling		A	B	C			
6.3	1/4"	-04	Q03611341A-04-04	1/4"-NPT	53.5	ø27	19			
10	3/8"	-06	Q03611341A-06-06	3/8"-NPT	60.5	ø33	24			

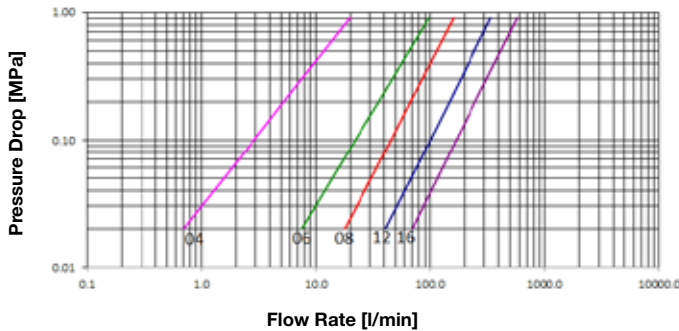
PUSH-PULL POPPET VALVES



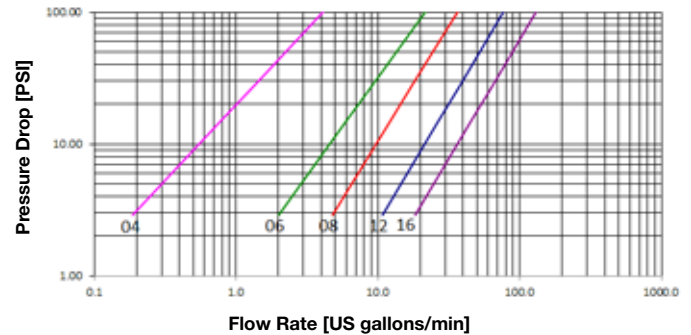
SIZE	WORKING PRESSURE (Dynamic)	RATED FLOW at 0.2 MPa of pressure drop	CONNECTION EFFORT	OIL SPILLAGE Connection/ Disconnection	MINIMUM BURST PRESSURE		CONNECTION/ DISCONNECTION UNDER PRESSURE

mm	inch	dash	MPa	PSI	l/min	US GPM	N	lb.	cc.	cubic inch	Female		M & F		
											MPa	PSI	MPa	PSI	
6.3	¼	04	35	5075	5	1.3	80	178	0.7	0.043	180	26100	145	21025	Not allowed
10	⅜	06	31.5	4568	35	9.2	105	233	1.4	0.085	150	21750	130	18850	Not allowed
12.5	½	08	30	4350	68	18.0	110	244	2	0.122	140	20300	140	20300	Not allowed
20	¾	12	25	3625	147	38.8	165	367	4	0.244	120	17400	110	15950	Not allowed
25	1	16	25	3625	250	66.1	215	478	8.5	0.519	115	16675	120	17400	Not allowed

Pressure Drop



Pressure Drop



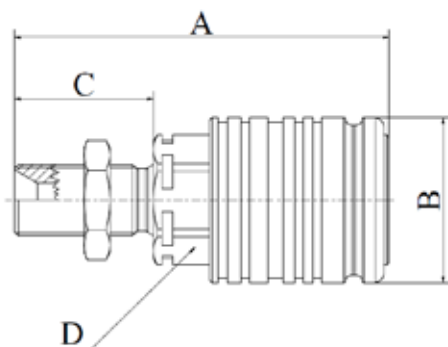
Product description:

- Female coupling designed for agriculture applications, connectable with ISO 7241-1 series A male couplings
- PUSH-PULL connection and disconnection system, in case of bulkhead mounting on the external sleeve
- Break-away function according to ISO 5675 (in case of bulkhead mounting on the external sleeve)
- Positive connection by latching balls system
- Shut-off by poppet valve
- High resistant materials
- Dimensions and performances according to ISO 7241-1 series A

Material	Female couplings in steel with some hardened areas, in correspondence to the most stressed points. Carbonitrided valve and sleeve, springs in C98 steel, latching balls in high resistance 100 C6 steel, seals in NBR (other materials on request) and back-up ring in PTFE
Working Temperature	-22°F up to +230°F (-30°C up to +110°C) For other temperatures, the coupling is assembled with specific seals
Safety Factor	4:1 for dynamic pressures
Impulse Pressures	100,000 cycles at 133% of the rated one (freq. 1Hz)
Test Specifications	ISO 7241-2

PUSH-PULL POPPET VALVES - TERMINATION ENDS

BSP



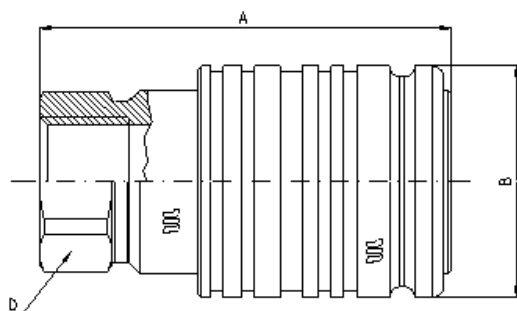
Q01311040A

BSP TERMINATION ENDS

TO DIN3852

BULKHEAD

SIZE			PART NUMBER	THREAD	DIMENSIONS mm					
DN	inch	Size	Female coupling		A	B	C	D		
12.5	1/2"	-08	Q01311040A-08-06	3/8"	86.2	ø38	32	27		



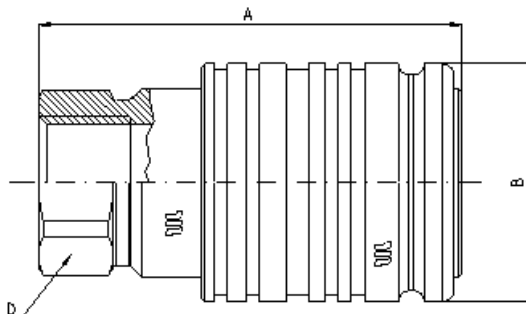
Q01311041A

BSP TERMINATION ENDS

TO DIN 3852 X TYPE

SIZE			PART NUMBER	THREAD	DIMENSIONS mm					
DN	inch	Size	Female coupling		A	B	D			
6	1/4"	-04	Q01311041A-04-04	1/4"	58.1	ø26	17			
10	3/8"	-06	Q01311041A-06-04	1/4"	63	ø32	22			
			Q01311041A-06-06	3/8"	64.5	ø32	22			
12.5	1/2"	-08	Q01311041A-08-06	3/8"	66.2	ø38	27			
			Q01311041A-08-08	1/2"	67	ø38	27			
			Q01311041A-08-12	3/4"	73.2	ø38	34			
20	3/4"	-12	Q01311041A-12-12	3/4"	87.7	ø48	34			
25	1"	-16	Q01311041A-16-12	3/4"	97.9	ø54	41			
			Q01311041A-16-16	1"	97.9	ø54	41			

BSP



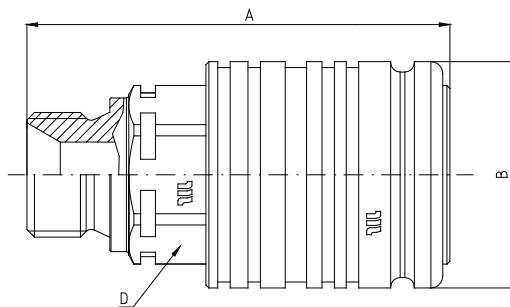
Q01311041U

BSP TERMINATION ENDS

TO DIN 3852 X TYPE

SIZE			PART NUMBER	THREAD	DIMENSIONS mm					
DN	inch	Size	Female coupling		A	B	D			
12.5	1/2"	-08	Q01311041U-08-08	1/2"	67	ø38	27			

Polyurethane seal



Q01311050A

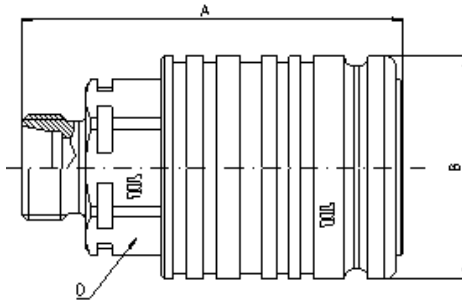
BSP TERMINATION ENDS

TO ISO 8434-6

SIZE			PART NUMBER	THREAD	DIMENSIONS mm					
DN	inch	Size	Female coupling		A	B	D			
12.5	1/2"	-08	Q01311050A-08-06	3/8"	68.9	ø38	27			
			Q01311050A-08-08	1/2"	71.4	ø38	27			

PUSH-PULL POPPET VALVES - TERMINATION ENDS

METRIC



Q01311110A

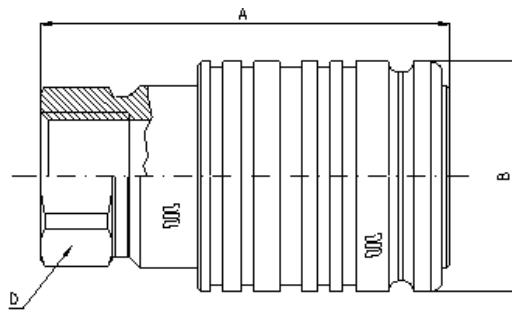
METRIC TERMINATION ENDS

TO ISO 8434-1

L SERIES

SIZE			PART NUMBER	THREAD	DIMENSIONS mm					
DN	inch	Size	Female coupling		A	B	D			
10	3/8"	-06	Q01311110A-06-12	M12x1,5	61	ø32	22			
			Q01311110A-06-14	M14x1,5	61	ø32	22			
			Q01311110A-06-16	M16x1,5	61	ø32	22			
			Q01311110A-06-18	M18x1,5	61	ø32	22			
12.5	1/2"	-08	Q01311110A-08-14	M14x1,5	65.2	ø38	27			
			Q01311110A-08-16	M16x1,5	66.2	ø38	27			
			Q01311110A-08-18	M18x1,5	65.2	ø38	27			
			Q01311110A-08-22	M22x1,5	66.2	ø38	27			
20	3/4"	-12	Q01311110A-08-26	M26x1,5	66.2	ø38	30			
			Q01311110A-12-22	M22x1,5	85.7	ø48	34			
			Q01311110A-12-26	M26x1,5	85.7	ø48	34			
25	1"	-16	Q01311110A-12-30	M30x2	87.7	ø48	34			
			Q01311110A-16-26	M26x1,5	94.5	ø54	41			
			Q01311110A-16-30	M30x2	96.5	ø54	41			
			Q01311110A-16-36	M36x2	96.5	ø54	41			

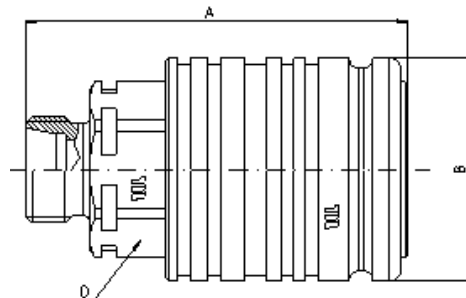
METRIC



Q0131141A

METRIC TERMINATION ENDS
TO DIN 3852 X TYPE

SIZE			PART NUMBER	THREAD	DIMENSIONS mm					
DN	inch	Size	Female coupling		A	B	D			
10	3/8"	-06	Q0131141A-06-16	M16x1,5	64.5	ø32	22			
12.5	1/2"	-08	Q0131141A-08-18	M18x1,5	66.2	ø38	27			
			Q0131141A-08-20	M20x1,5	67	ø38	27			
			Q0131141A-08-22	M22x1,5	67	ø38	27			
20	3/4"	-12	Q0131141A-12-22	M22x1,5	84.7	ø48	34			



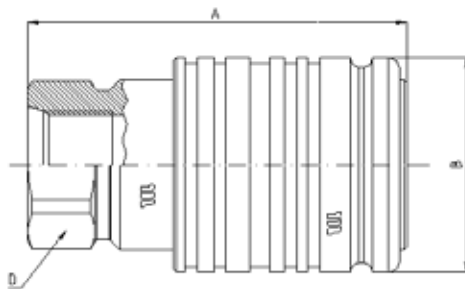
Q0131120A

METRIC TERMINATION ENDS
TO ISO 8434-1
S SERIES

SIZE			PART NUMBER	THREAD	DIMENSIONS mm					
DN	inch	Size	Female coupling		A	B	D			
10	3/8"	-06	Q0131120A-06-16	M16x1,5	62	ø32	22			
			Q0131120A-06-18	M18x1,5	62	ø32	22			
12.5	1/2"	-08	Q0131120A-08-18	M18x1,5	66.2	ø38	27			
			Q0131120A-08-20	M20x1,5	66.2	ø38	27			
			Q0131120A-08-24	M24x1,5	68.2	ø38	27			
25	1"	-16	Q0081120A-16-30	M30x2	98.5	ø54	41			
			Q0081120A-16-36	M36x2	100.5	ø54	41			
			Q0081120A-16-42	M40x2	102.5	ø54	44			

PUSH-PULL POPPET VALVES - TERMINATION ENDS

METRIC

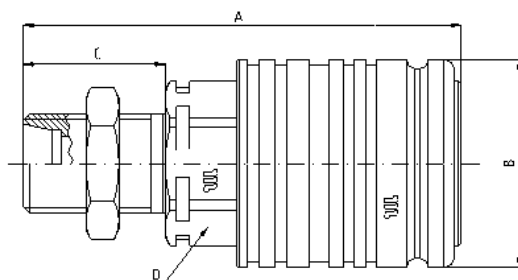


Q0131191A

METRIC TERMINATION ENDS

TO DIN 3852 X TYPE

SIZE			PART NUMBER	THREAD	DIMENSIONS mm					
DN	inch	Size	Female coupling		A	B	D			
12.5	1/2"	-08	Q0131191A-08-16*	M16x1,5	66.7	ø38	27			
			Q0131191A-08-18*	M18x1,5	68.2	ø38	27			
			Q0131191A-08-22	M22x1,5	67	ø38	27			



Q01311770B

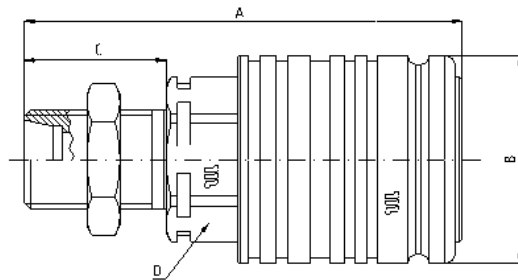
METRIC TERMINATION END

TO ISO 8434-1

BULKHEAD L SERIES

SIZE			PART NUMBER	THREAD	DIMENSIONS mm					
DN	inch	Size	Female coupling		A	B	C	D		
10	3/8"	-06	Q01311770B-06-12	M12x1,5	76	ø32	25	22		
			Q01311770B-06-14	M14x1,5	75	ø32	25	22		
			Q01311770B-06-16	M16x1,5	75	ø32	26	22		
			Q01311770B-06-18	M18x1,5	75	ø32	26	22		
12.5	1/2"	-08	Q01311770B-08-14	M14x1,5	80.2	ø38	25	27		
			Q01311770B-08-16	M16x1,5	80.2	ø38	26	27		
			Q01311770B-08-18	M18x1,5	80.2	ø38	26	27		
			Q01311770B-08-22	M22x1,5	81.2	ø38	27	27		
			Q01311770B-08-26	M26x1,5	82.2	ø38	28	30		
25	1"	-16	Q01311770B-16-30	M30x2	114.5	ø54	32	41		

METRIC



Q01311870B

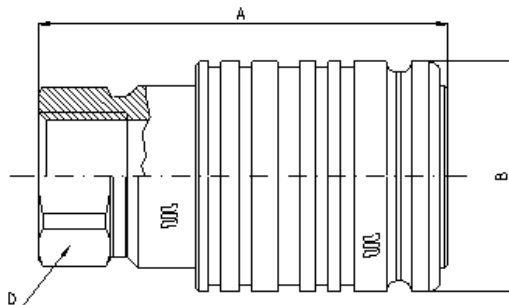
METRIC TERMINATION END

TO ISO 8434-1

BULKHEAD S SERIES

SIZE			PART NUMBER	THREAD	DIMENSIONS mm					
DN	inch	Size	Female coupling		A	B	C	D		
10	3/8"	-06	Q01311870B-06-16	M16x1,5	76	ø32	27	22		
			Q01311870B-06-18	M18x1,5	76	ø32	27	22		
12.5	1/2"	-08	Q01311870B-08-18	M18x1,5	81.2	ø38	27	27		
			Q01311870B-08-20	M20x1,5	81.2	ø38	27	27		
			Q01311870B-08-24	M24x1,5	83.2	ø38	29	27		

NPT



Q01311341A

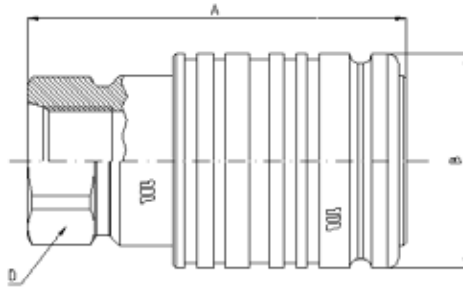
NPT TERMINATION END

TO ANSI B 1.20.3 STANDARD

SIZE			PART NUMBER	THREAD	DIMENSIONS mm					
DN	inch	Size	Female coupling		A	B	D			
6	1/4"	-04	Q01311341A-04-04	1/4" NPTF	58	ø26	17			
10	3/8"	-06	Q01311341A-06-06	3/8" NPTF	64.5	ø32	22			
12.5	1/2"	-08	Q01311341A-08-08	1/2" NPTF	67	ø38	27			
25	1"	-16	Q01311341A-16-16	1" NPTF	97.9	ø54	41			

PUSH-PULL POPPET VALVES - TERMINATION ENDS

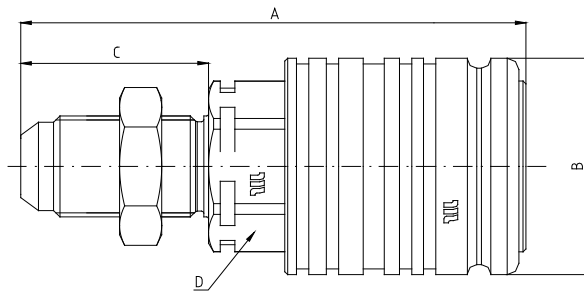
SAE



Q01311301A

BSP TERMINATION ENDS
TO DIN 3852 X TYPE

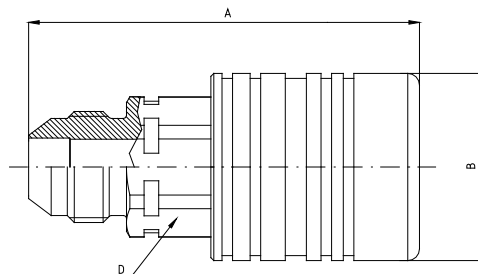
SIZE			PART NUMBER	THREAD	DIMENSIONS mm					
DN	inch	Size	Female coupling		A	B	D			
10	3/8"	-06	Q01311301A-06-06*	9/16"-18 UNF	64.5	ø32	22			
12.5	1/2"	-08	Q01311301A-08-08	3/4"-16 UNF	67	ø38	27			
			Q01311301A-08-10	7/8"-14 UNF	69	ø38	27			



Q01311230A

SAE TERMINATION END
TO ISO 8434-2
BULKHEAD

SIZE			PART NUMBER	THREAD	DIMENSIONS mm					
DN	inch	Size	Female coupling		A	B	C	D		
12.5	1/2"	-08	Q01311230A-08-08	3/4"-16 UNF	91.8	ø38	37.6	27		
			Q01311230A-08-10	7/8"-14 UNF	95.3	ø38	41.1	27		

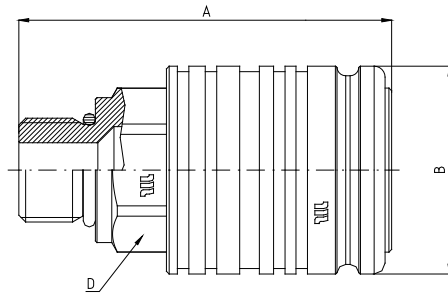


Q01311250A

SAE TERMINATION ENDS
TO ISO 8434-2

SIZE			PART NUMBER	THREAD	DIMENSIONS mm					
DN	inch	Size	Female coupling		A	B	D			
10	3/8"	-06	Q01311250A-06-08	3/4"-16 UNF	66.7	ø32	22			

SAE



Q01311320A

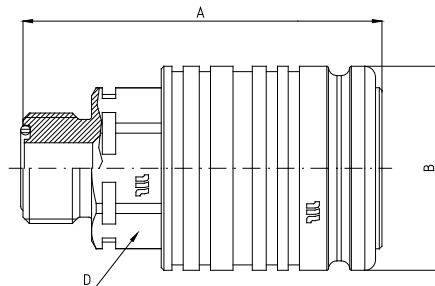
ORB TERMINATION ENDS

TO SAE J1926-2

S SERIES

SIZE			PART NUMBER	THREAD	DIMENSIONS mm					
DN	inch	Size	Female coupling		A	B	D			
12.5	1/2"	-08	Q01311320A-08-08	3/4"-16 UNF	68.2	ø38	27			

ORFS



Q01311240A

ORFS TERMINATION ENDS

TO ISO 8434-3

SIZE			PART NUMBER	THREAD	DIMENSIONS mm					
DN	inch	Size	Female coupling		A	B	D			
10	3/8"	-06	Q01311240A-06-04	9/16"-18 UN	60.8	ø32	22			
			Q01311240A-06-06	11/16"-16 UN	61.2	ø32	22			
12.5	1/2"	-08	Q01311240A-08-08	13/16"-16 UN	66.2	ø38	27			
25	1"	-16	Q01311240A-16-16	1.7/16"-12 UN	100	ø54	41			

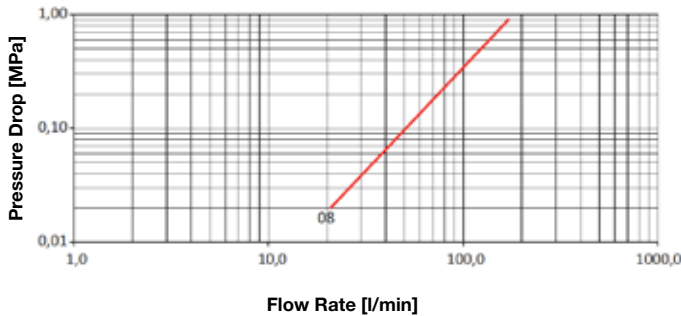


PUSH-PULL CONNECTABLE UNDER PRESSURE - TERMINATION ENDS

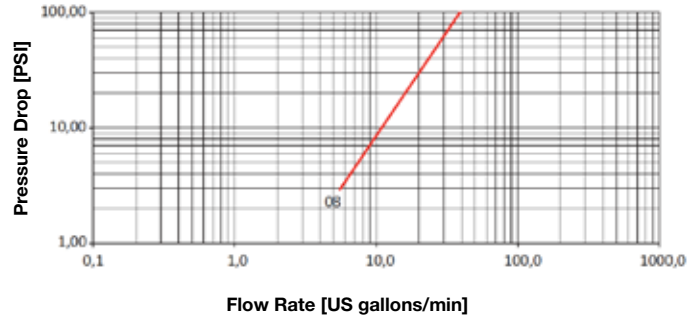
SIZE	WORKING PRESSURE (Dynamic)	RATED FLOW at 0.2 MPa of pressure drop	CONNECTION EFFORT	OIL SPILLAGE Connection/ Disconnection	MINIMUM BURST PRESSURE	CONNECTION/ DISCONNECTION UNDER PRESSURE

mm	inch	dash	MPa	PSI	l/min	US GPM	N	lb.	cc.	cubic inch	Female		M & F		
											MPa	PSI	MPa	PSI	
12.5	½	08	30	4350	68	18.0	110	244	2	0.122	120	17400	140	20300	Connection only
With 0 MPa pressure											120	17400	140	20300	Connection only

Pressure Drop



Pressure Drop



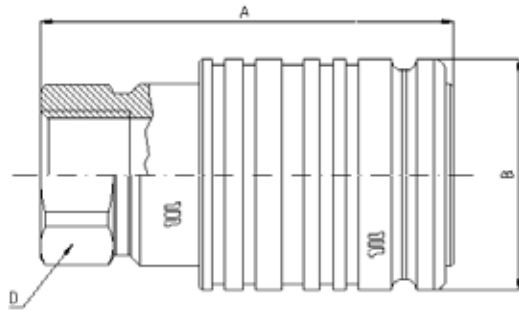
Product description:

- Female coupling designed for agriculture applications, connectable with ISO 7241-1 series A male couplings
- Connectable under pressure thanks to a frontal micro-valve
- Push-Pull connection and disconnection system, in case of bulkhead mounting on the external sleeve
- Break-away function according to ISO 5675 (in case of bulkhead mounting on the external sleeve)
- Positive connection by latching balls system
- Shut-off by poppet valve
- High resistant materials
- Dimensions and performances according to ISO 7241-1 series A

Material	Female couplings in steel with some hardened areas, in correspondence to the most stressed points. Carbonitrided valve, micro-valve and sleeve, springs in C98 steel, latching balls in 100 C6 steel, seals in NBR and polyurethane (other materials on request) and back-up ring in PTFE
Working Temperature	-22°F up to +230°F (-30°C up to +110°C) For other temperatures, the quick coupling is assembled with specific seals
Safety Factor	4:1 for dynamic pressures
Impulse Pressures	100,000 cycles of impulse pressure at 133% of the rated one (freq. 1Hz)
Test Specifications	ISO 7241-2

PUSH-PULL CONNECTABLE UNDER PRESSURE - TERMINATION ENDS

BSP

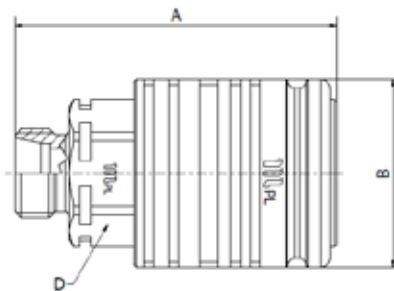


Q01511041A

BSP TERMINATION ENDS
TO DIN 3852 X TYPE

SIZE			PART NUMBER	THREAD	DIMENSIONS mm					
DN	inch	Size	Female coupling		A	B	D			
12.5	1/2"	-08	Q01511041A-08-08	1/2"	67	ø38	27			

METRIC

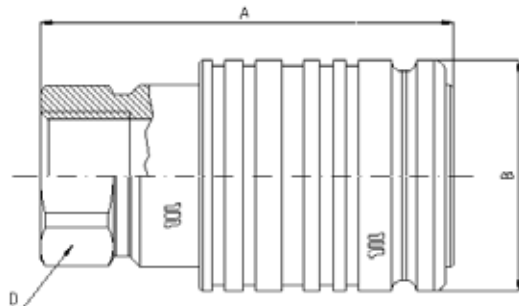


Q0151110A

METRIC TERMINATION END
TO ISO 8434-1
L SERIES

SIZE			PART NUMBER	THREAD	DIMENSIONS mm					
DN	inch	Size	Female coupling		A	B	D			
12.5	1/2"	-08	Q0151110A-08-18	M18x1,5	65.2	ø38	27			

NPT



Q01511341A

NPT TERMINATION END
TO ANSI B 1.20.3 STANDARD

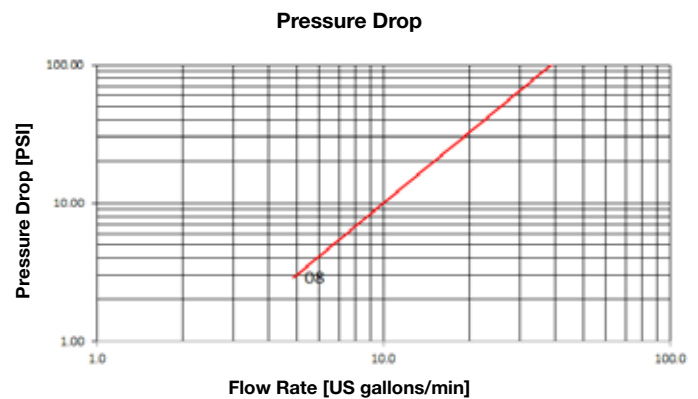
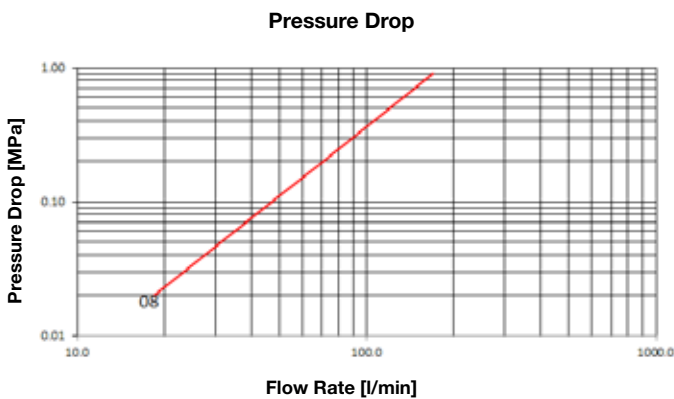
SIZE			PART NUMBER	THREAD	DIMENSIONS mm					
DN	inch	Size	Female coupling		A	B	D			
12.5	1/2"	-08	Q01511341A-08-08	1/2" NPTF	67	ø38	27			



PUSH-PULL FEMALE CONNECTABLE WITH MALE UNDER PRESSURE

SIZE	WORKING PRESSURE (Dynamic)	RATED FLOW at 0.2 MPa of pressure drop	CONNECTION EFFORT	OIL SPILLAGE Connection/ Disconnection	MINIMUM BURST PRESSURE	CONNECTION/ DISCONNECTION UNDER PRESSURE

mm	inch	dash	MPa	PSI	l/min	US GPM	N	lb.	cc.	cubic inch	Female		M & F		
											MPa	PSI	MPa	PSI	
12.5	½	08	30	4350	71	18.8	170	378	2	0.122	125	18125	125	18125	Connection only, with male under pressure

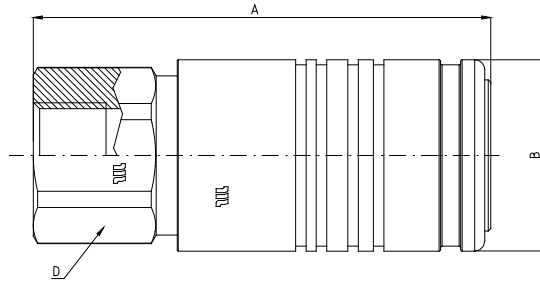


Product description:

- Connectable with male ISO A under pressure
- Working pressure 30MPa
- Connection/disconnection PUSH-PULL
- No shut-off, Manuli mechanical valve block system
- Installation on hoses with coupling blocked on panel by the sleeve
- Breakaway function according to ISO 5675
- Interchangeable according to ISO 7241-1 part A
- Wide range of termination end

Material	Couplings in steel with some stressed area hardened, carbonitrided valve, springs in C98 steel, seals in NBR, back-up ring PTFE
Working Temperature	-22°F up to +230°F (-30°C up to +110°C) For other temperatures, the quick coupling is assembled with specific seals
Safety Factor	4:1 for dynamic pressures
Impulse Pressures	500,000 cycles (connected and disconnected conditions) at 120% of the rated one (freq. 1Hz)
Test Specifications	ISO 7241-2

BSP

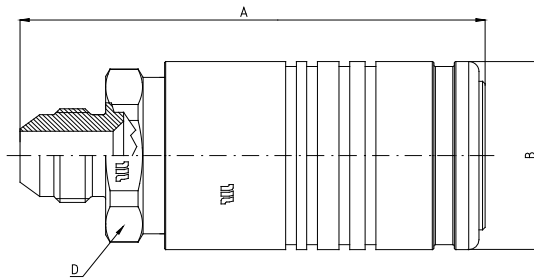


Q01611041A

BSP TERMINATION ENDS
TO DIN 3852 X TYPE

SIZE			PART NUMBER	THREAD	DIMENSIONS mm					
DN	inch	Size	Female coupling		A	B	D			
12.5	1/2"	-08	Q01611041A-08-08	1/2"	91.2	ø38	32			

SAE



Q01611250A

SAE TERMINATION ENDS
TO ISO 8434-2

SIZE			PART NUMBER	THREAD	DIMENSIONS mm					
DN	inch	Size	Female coupling		A	B	D			
12.5	1/2"	-08	Q01611250A-08-08	3/4"- 16 UNF	90.7	ø38	32			

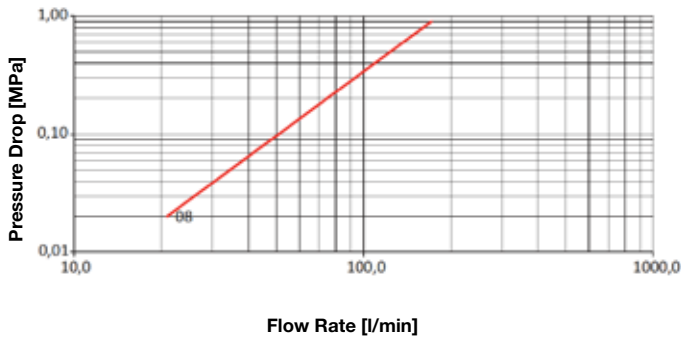


PUSH-PULL FEMALE BOTH PARTS CONNECTABLE UNDER PRESSURE

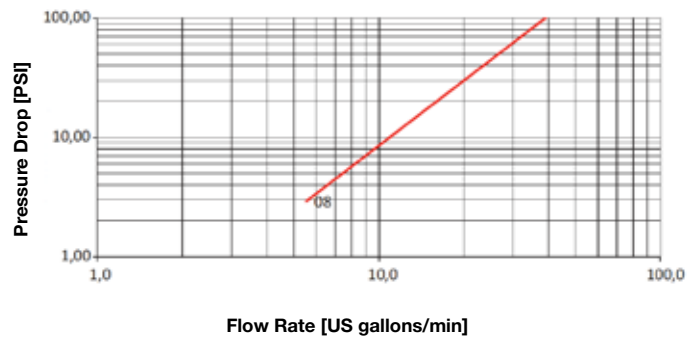
	MPa		N				
SIZE	WORKING PRESSURE (Dynamic)	RATED FLOW at 0.2 MPa of pressure drop	CONNECTION EFFORT	OIL SPILLAGE Connection/ Disconnection	MINIMUM BURST PRESSURE		CONNECTION/ DISCONNECTION UNDER PRESSURE

mm	inch	dash	MPa	PSI	l/min	US GPM	N	lb.	cc.	cubic inch	Female		M & F		Connection only, with male and female under pressure
											MPa	PSI	MPa	PSI	
12.5	½	08	30	4350	71	18.8	170	378	2	0.122	125	18125	125	18125	
With 0 MPa of pressure															

Pressure Drop



Pressure Drop



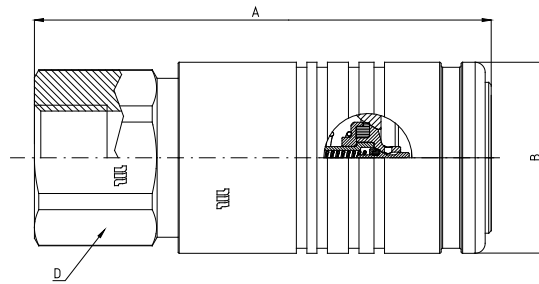
Product description:

- Connectable with male ISO A and female under pressure
- Working pressure 30MPa
- Connection/disconnection PUSH-PULL
- No shut-off, Manuli mechanical valve block system
- Installation on hoses with coupling blocked on panel by the sleeve
- Breakaway function according to ISO 5675
- Interchangeable according to ISO 7241-1 part A
- Wide range of termination ends

Material	Couplings in steel with some stressed area hardened, carbonitrided valve, springs in C98 steel, seals in polyurethane and NBR, back-up ring PTFE
Working Temperature	-22°F up to +230°F (-30°C up to +110°C) For other temperatures, the quick coupling is assembled with specific seals
Safety Factor	4:1 for dynamic pressures
Impulse Pressures	500,000 cycles (connected and disconnected conditions) at 120% of the rated one (freq. 1Hz)
Test Specifications	ISO 7241-2

PUSH-PULL FEMALE BOTH PARTS CONNECTABLE UNDER PRESSURE - TERMINATION ENDS

BSP

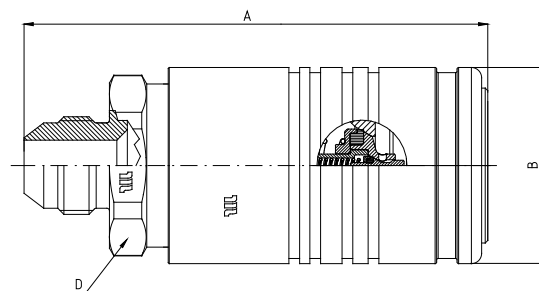


Q01711041A

BSP TERMINATION ENDS
TO DIN 3852 X TYPE

SIZE			PART NUMBER	THREAD	DIMENSIONS mm					
DN	inch	Size	Female coupling		A	B	D			
12.5	1/2"	-08	Q01711041A-08-08		1/2"	91.2	ø38			

SAE



Q01711250A

SAE TERMINATION ENDS
TO ISO 8434-2

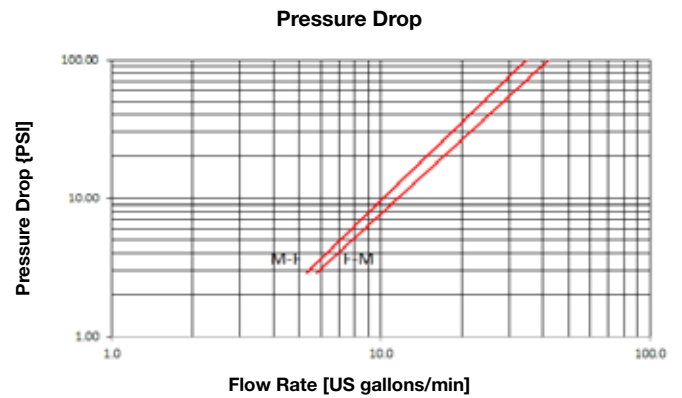
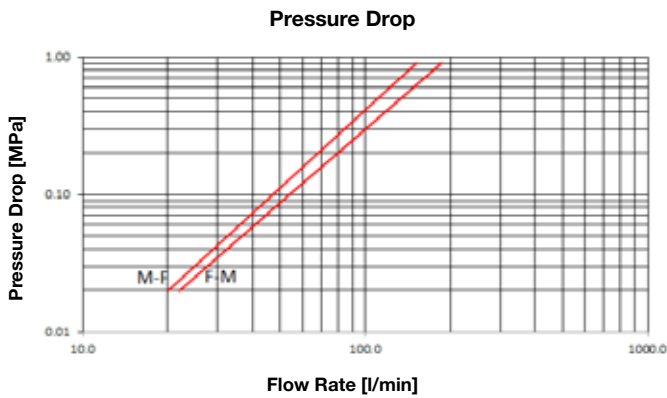
SIZE			PART NUMBER	THREAD	DIMENSIONS mm					
DN	inch	Size	Female coupling		A	B	D			
12.5	1/2"	-08	Q01711250A-08-08	3/4"- 16 UNF	90.7	ø38	32			



PUSH-PULL FEMALE CONNECTABLE WITH MALE UNDER PRESSURE

SIZE	WORKING PRESSURE (Dynamic)	RATED FLOW at 0.2 MPa of pressure drop	CONNECTION EFFORT	OIL SPILLAGE Connection/ Disconnection	MINIMUM BURST PRESSURE	CONNECTION/ DISCONNECTION UNDER PRESSURE

mm	inch	dash	MPa	PSI	Flow direction	l/min	US GPM	N	lb.	cc.	cubic inch	Female		M & F		
												MPa	PSI	MPa	PSI	
12.5	½	08	30	4350	F → M	80	21.1	230	511	2.1	0.128	125	18125	125	18125	Connection only, with male under pressure
					M → F	68	18.0									



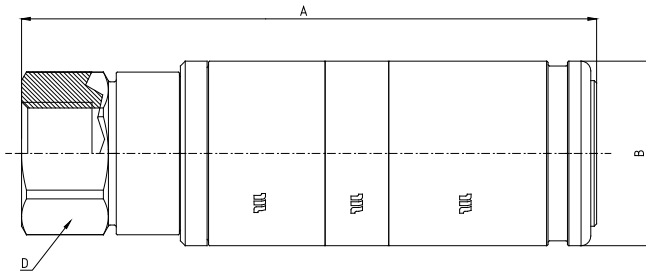
Product description:

- Connectable with male ISO A under pressure
- Working pressure 30MPa
- Connection/disconnection PUSH-PULL
- No shut-off, Manuli mechanical valve block system
- Installation on pipe and ports
- Breakaway function according to ISO 5675
- Interchangeable according to ISO 7241-1 part A
- Wide range of termination ends
- According to all requirements of ISO 5675

Material	Couplings in steel with some stressed area hardened, carbonitrided valve, springs in C98 steel, seals in NBR, back-up ring PTFE
Working Temperature	-22°F up to +230°F (-30°C up to +110°C) For other temperatures, the quick coupling is assembled with specific seals
Safety Factor	4:1 for dynamic pressures
Impulse Pressures	500,000 cycles (connected and disconnected conditions) at 120% of the rated one (freq. 1Hz)
Test Specifications	ISO 7241-2

PUSH-PULL MALE CONNECTABLE UNDER PRESSURE - TERMINATION ENDS

BSP

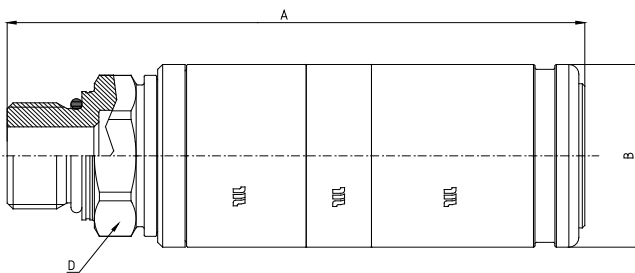


Q01811041A

BSP TERMINATION ENDS
TO DIN 3852 X TYPE

SIZE			PART NUMBER	THREAD	DIMENSIONS mm					
DN	inch	Size	Female coupling		A	B	D			
12.5	1/2"	-08	Q01811041A-08-08	1/2"	118.4	ø38	30			

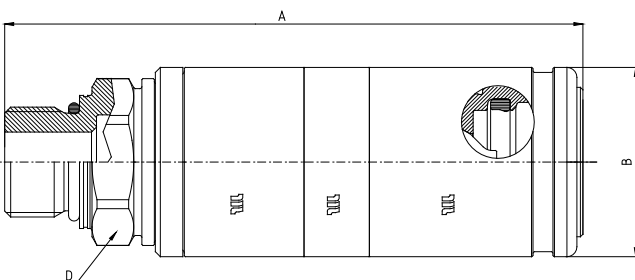
METRIC



Q01811190A

METRIC TERMINATION ENDS
TO ISO 6149-2

SIZE			PART NUMBER	THREAD	DIMENSIONS mm					
DN	inch	Size	Female coupling		A	B	D			
12.5	1/2"	-08	Q01811190A-08-22	M22x1,5	115.9	ø38	30			



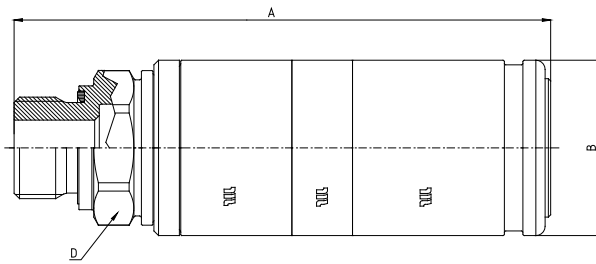
Q01811190U

POLYURETHANE SEAL
METRIC TERMINATION ENDS
TO ISO 6149-2

SIZE			PART NUMBER	THREAD	DIMENSIONS mm					
DN	inch	Size	Female coupling		A	B	D			
12.5	1/2"	-08	Q01811190U-08-22	M22x1,5	115.9	ø38	30			

Polyurethane seal

METRIC

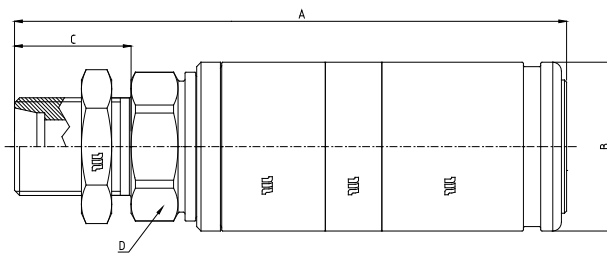


Q0181140A

METRIC TERMINATION ENDS

TO ISO 9974-2

SIZE			PART NUMBER	THREAD	DIMENSIONS mm					
DN	inch	Size	Female coupling		A	B	D			
12.5	1/2"	-08	Q0181140A-08-22	M22x1,5	115.9	ø38	30			



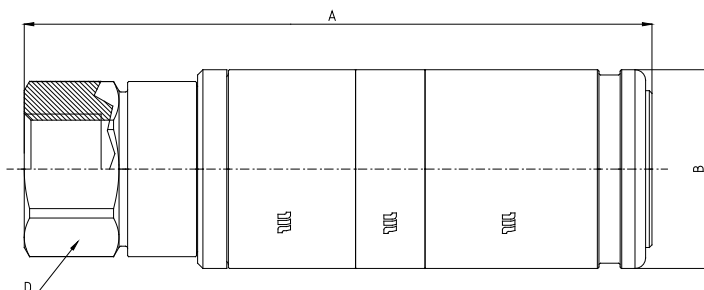
Q01811770B

METRIC TERMINATION ENDS

ISO 8434-1 L SERIES
BULKHEAD

SIZE			PART NUMBER	THREAD	DIMENSIONS mm					
DN	inch	Size	Female coupling		A	B	C	D		
12.5	1/2"	-08	Q01811770B-08-22	M22x1,5	127.9	ø38	27	30		

NPT



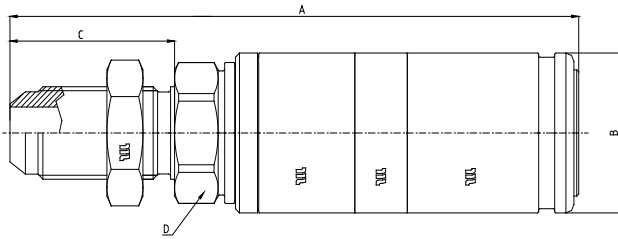
Q01811341A

NPT TERMINATION ENDS

TO ANSI B 1.20.3

SIZE			PART NUMBER	THREAD	DIMENSIONS mm					
DN	inch	Size	Female coupling		A	B	D			
12.5	1/2"	-08	Q01811341A-08-08	1/2" NPTF	118.4	ø38	30			

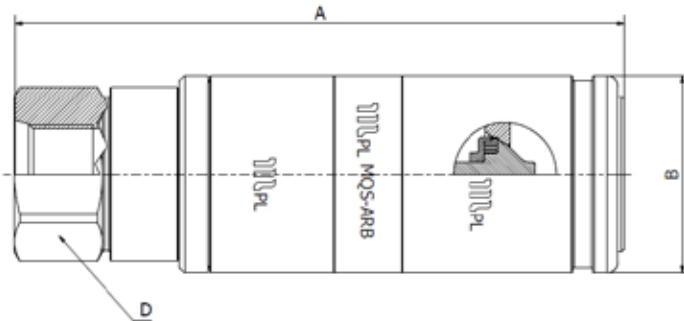
SAE



Q01811230A

SAE TERMINATION ENDS
ISO 8434-2 BULKHEAD

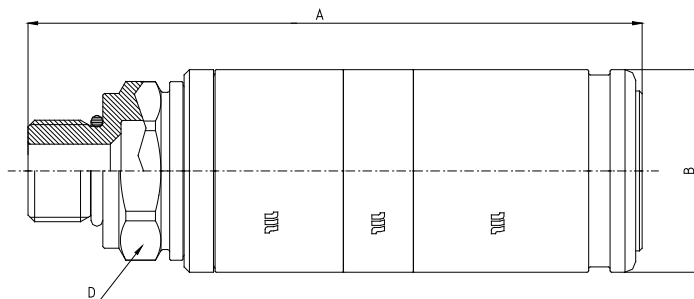
SIZE			PART NUMBER	THREAD	DIMENSIONS mm					
DN	inch	Size	Female coupling		A	B	C	D		
12.5	1/2"	-08	Q01811230A-08-08	3/4"-16 UNF	138.5	ø38	37.6	30		
			Q01811230A-08-10	7/8"-14UNF	142	ø38	40.1	30		



Q01811301A

SAE TERMINATION ENDS
TO SAE J1926-1

SIZE			PART NUMBER	THREAD	DIMENSIONS mm					
DN	inch	Size	Female coupling		A	B	D			
12.5	1/2"	-08	Q01811301A-08-08	3/4"-16 UNF	117.4	ø38	30			



Q01811320A

ORB TERMINATION ENDS
TO SAE J1926-2 S SERIES

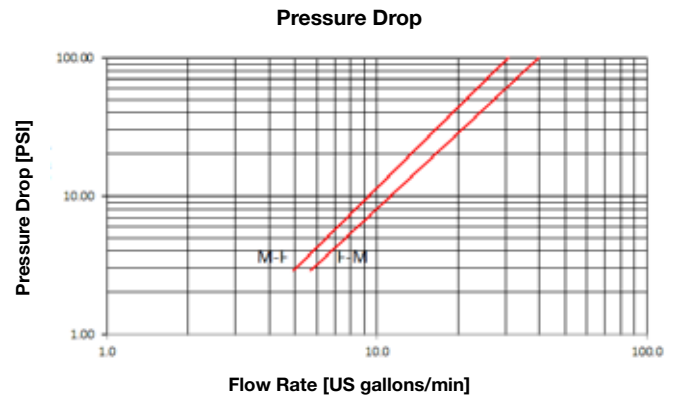
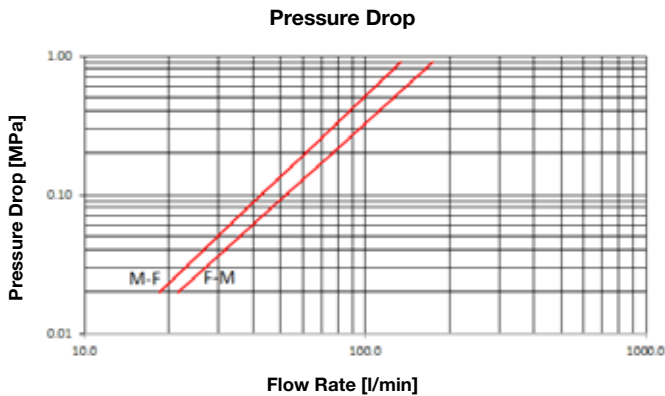
SIZE			PART NUMBER	THREAD	DIMENSIONS mm					
DN	inch	Size	Female coupling		A	B	D			
12.5	1/2"	-08	Q01811320A-08-08	3/4"-16 UNF	115	ø38	30			
			Q01811320A-08-10	7/8"-14UNF	117	ø38	30			



PUSH-PULL FEMALE BOTH PARTS CONNECTABLE UNDER PRESSURE

SIZE	WORKING PRESSURE (Dynamic)	RATED FLOW at 0.2 MPa of pressure drop	CONNECTION EFFORT	OIL SPILLAGE Connection/ Disconnection	MINIMUM BURST PRESSURE	CONNECTION/ DISCONNECTION UNDER PRESSURE

mm	inch	dash	MPa	PSI	Flow direction	l/min	US GPM	N	lb.	cc.	cubic inch	Female		M & F		Connection only, with male and female under pressure
												MPa	PSI	MPa	PSI	
12.5	½	08	30	4350	F → M	80	21.1	230	511	2.5	0.153	125	18125	125	18125	
					M → M	68	18.0									

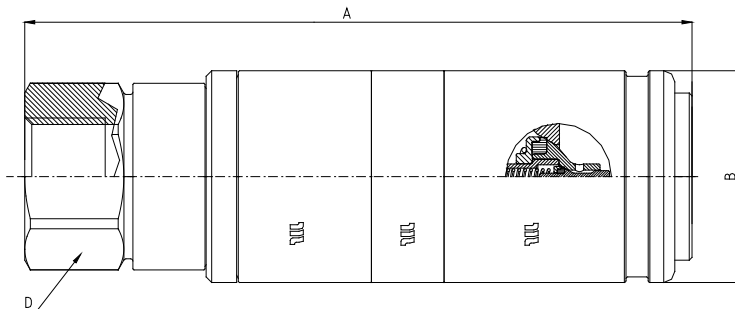


Product description:

- Connectable with male ISO A and female under pressure
- Working pressure 30MPa
- Connection/disconnection PUSH-PULL
- No shut-off, Manuli mechanical valve block system
- Installation on pipe and ports
- Breakaway function according to ISO 5675
- Interchangeable according to ISO 7241-1 part A
- Wide range of termination ends
- According to all requirements of ISO 5675

Material	Couplings in steel with some stressed area hardened, carbonitrided valve, springs in C98 steel, seals in polyurethane and NBR, back-up ring PTFE
Working Temperature	-22°F up to +230°F (-30°C up to +110°C) For other temperatures, the quick coupling is assembled with specific seals
Safety Factor	4:1 for dynamic pressures
Impulse Pressures	500,000 cycles (connected and disconnected conditions) at 120% of the rated one (freq. 1Hz)
Test Specifications	ISO 7241-2

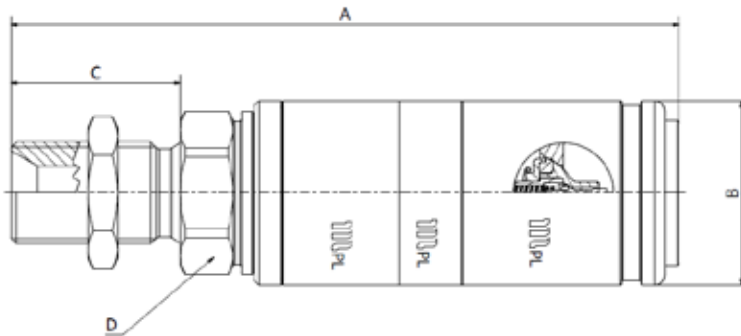
BSP



Q01911041A

BSP TERMINATION ENDS
TO DIN 3852 X TYPE

SIZE			PART NUMBER	THREAD	DIMENSIONS mm					
DN	inch	Size	Female coupling		A	B	D			
12.5	1/2"	-08	Q01911041A-08-08	1/2"	120.3	ø38	30			

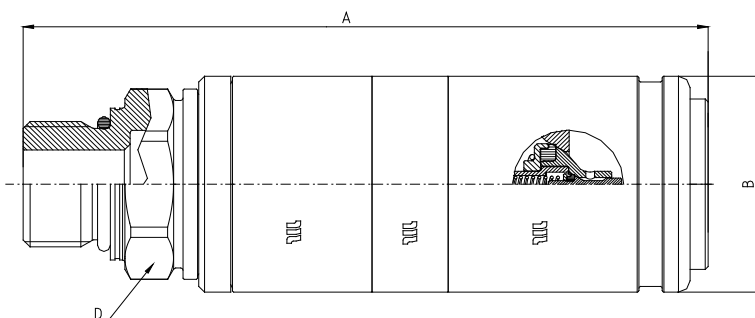


Q01911040A

BSP TERMINATION ENDS
TO DIN 3852
BULKHEAD

SIZE			PART NUMBER	THREAD	DIMENSIONS mm					
DN	inch	Size	Female coupling		A	B	C	D		
12.5	1/2"	-08	Q01911040A-08-08	1/2"	137.8	ø38	35	30		

METRIC

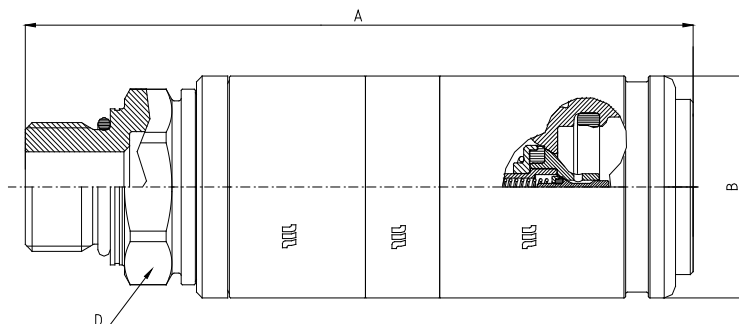


Q01911190A

METRIC TERMINATION ENDS
TO ISO 6149-2

SIZE			PART NUMBER	THREAD	DIMENSIONS mm					
DN	inch	Size	Female coupling		A	B	D			
12.5	1/2"	-08	Q01911190A-08-22	M22x1,5	117.8	ø38	30			

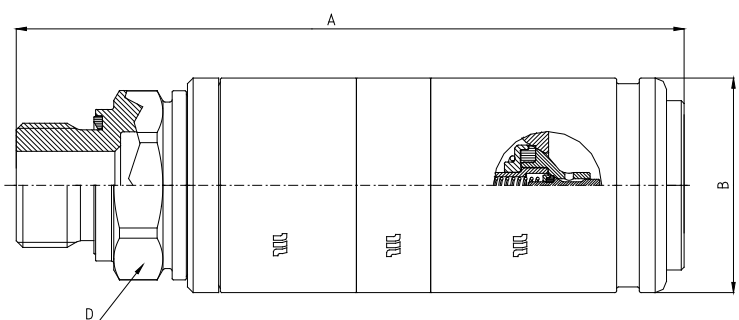
METRIC



Q0191190U
POLYURETHANE SEAL
METRIC TERMINATION ENDS
TO ISO 6149-2

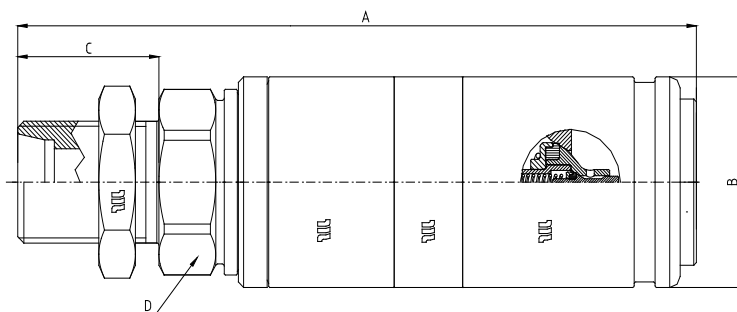
SIZE			PART NUMBER	THREAD	DIMENSIONS mm					
DN	inch	Size	Female coupling		A	B	D			
12.5	1/2"	-08	Q0191190U-08-22	M22x1,5	117.8	ø38	30			

Polyurethane seal



Q0191140A
METRIC TERMINATION ENDS
TO ISO 9974-2

SIZE			PART NUMBER	THREAD	DIMENSIONS mm					
DN	inch	Size	Female coupling		A	B	D			
12.5	1/2"	-08	Q0191140A-08-22	M22x1,5	117.8	ø38	30			

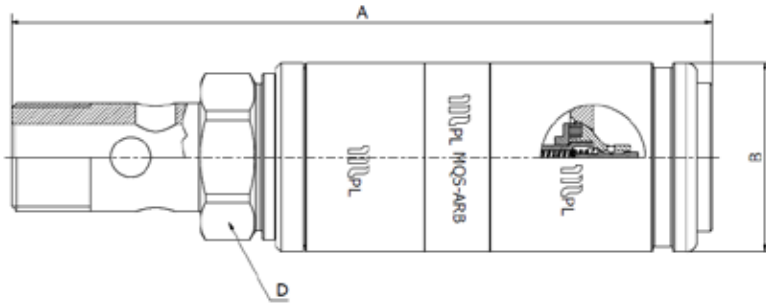


Q01911770B
METRIC TERMINATION ENDS
ISO 8434-1 L SERIES
BULKHEAD

SIZE			PART NUMBER	THREAD	DIMENSIONS mm					
DN	inch	Size	Female coupling		A	B	C	D		
12.5	1/2"	-08	Q01911770B-08-22	M22x1,5	129.8	ø38	27	30		

PUSH-PULL BOTH PARTS CONNECTABLE UNDER PRESSURE - TERMINATION ENDS

METRIC



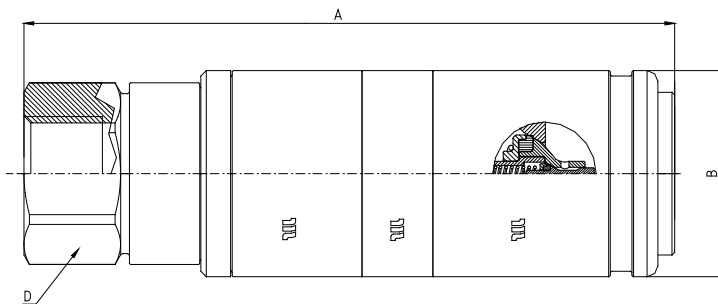
Q01911080A

METRIC TERMINATION ENDS

DIN 7643

SIZE			PART NUMBER	THREAD	DIMENSIONS mm					
DN	inch	Size	Female coupling		A	B	D			
12.5	1/2"	-08	Q01911080A-08-22	M22x1,5	140.8	ø38	30			

NPTF



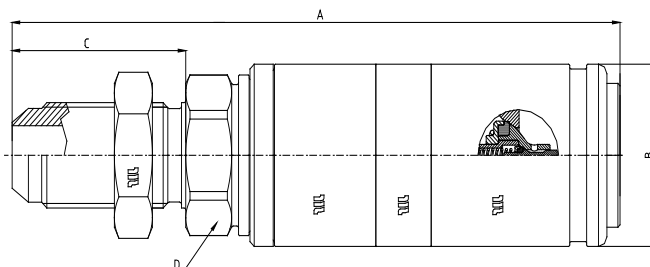
Q01911341A

NPT TERMINATION ENDS

TO ANSI B 1.20.3

SIZE			PART NUMBER	THREAD	DIMENSIONS mm					
DN	inch	Size	Female coupling		A	B	D			
12.5	1/2"	-08	Q01911341A-08-08	1/2" NPTF	120.3	ø38	30			

SAE



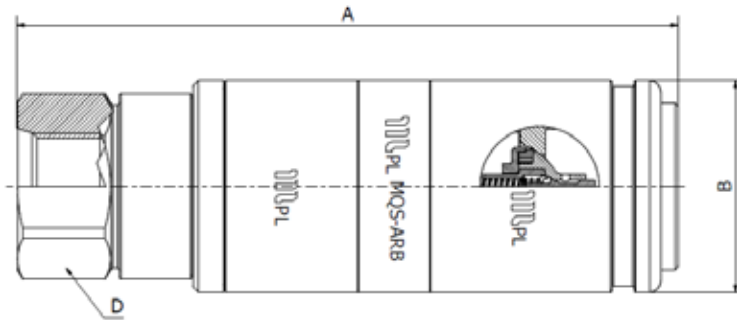
Q01911230A

SAE TERMINATION ENDS

ISO 8434-2 BULKHEAD

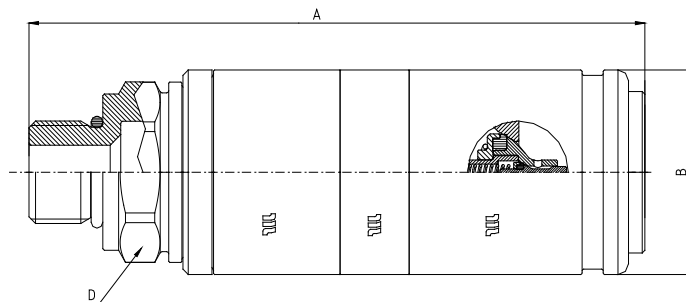
SIZE			PART NUMBER	THREAD	DIMENSIONS mm					
DN	inch	Size	Female coupling		A	B	C	D		
12.5	1/2"	-08	Q01911230A-08-10	7/8"-14UNF	143.9	ø38	40.1	30		

SAE



Q01911301A
SAE TERMINATION ENDS
TO SAE J1926-1

SIZE			PART NUMBER	THREAD	DIMENSIONS mm					
DN	inch	Size	Female coupling		A	B	D			
12.5	1/2"	-08	Q01911301A-08-08	3/4"-16 UNF	119.3	ø38	30			



Q01911320A
ORB TERMINATION ENDS
TO SAE J1926-2 S SERIES

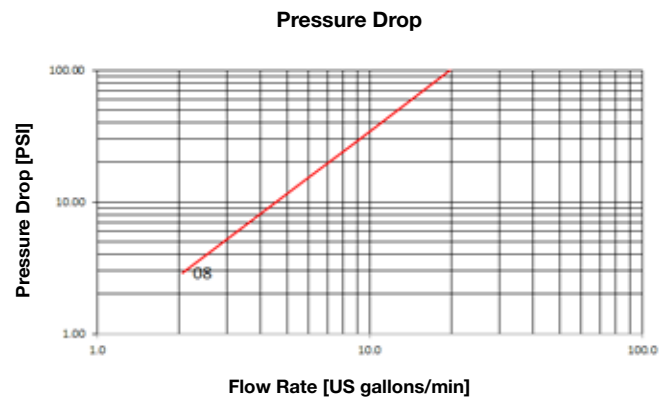
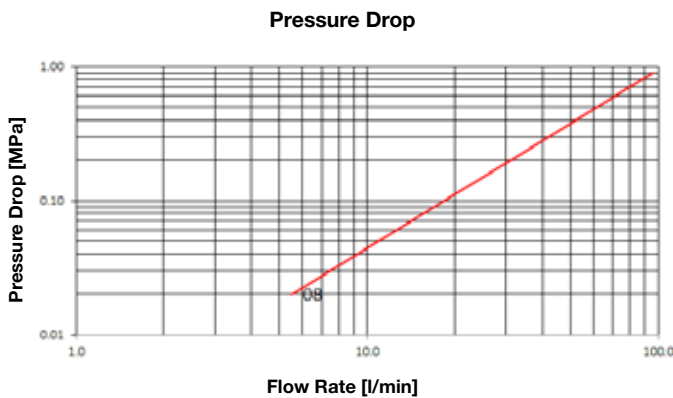
SIZE			PART NUMBER	THREAD	DIMENSIONS mm					
DN	inch	Size	Female coupling		A	B	D			
12.5	1/2"	-08	Q01911320A-08-08	3/4"-16 UNF	116.9	ø38	30			
			Q01911320A-08-10	7/8"-14UNF	118.9	ø38	30			

BRAKING CIRCUIT VALVES



SIZE	WORKING PRESSURE (Dynamic)	RATED FLOW at 0.2 MPa of pressure drop	CONNECTION EFFORT	OIL SPILLAGE Connection/ Disconnection	MINIMUM BURST PRESSURE	CONNECTION/ DISCONNECTION UNDER PRESSURE

mm	inch	dash	MPa	PSI	l/min	US GPM	N	lb.	cc.	cubic inch	Male		Female		M & F		Not allowed
											MPa	PSI	MPa	PSI	MPa	PSI	
12.5	1/2	08	15	2175	31	8.2	110	224	0.02	0.001	130	18850	60	8700	130	18850	Not allowed



Product description:

- Trailer brake coupling specially designed to connect the hydraulic braking system of tractors to trailers
- Connection and disconnection by pulling back the sleeve
- Positive connection by latching balls system
- Shut-off by flat valve
- The male has to be placed on the tractor and the female on the implement
- Interchangeable according to ISO 5676

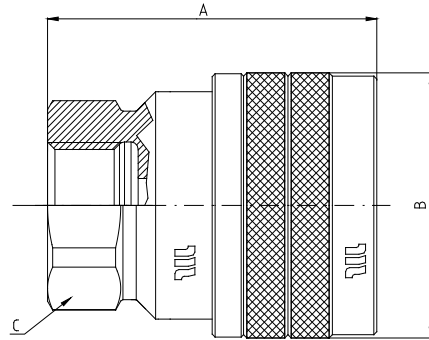
Material	Female and male coupling in steel, with some stressed tempered areas. Carbonitrided valve and sleeve, springs in C98 steel, seals in NBR and back-up ring PTFE
Working Temperature	-22°F up to +230°F (-30°C up to +110°C)
Safety Factor	4:1 for dynamic pressures
Test Specifications	ISO 5676 and ISO 7241-2



Safety cap for male coupling and female coupling with parking included

BRAKING CIRCUIT VALVES - TERMINATION ENDS

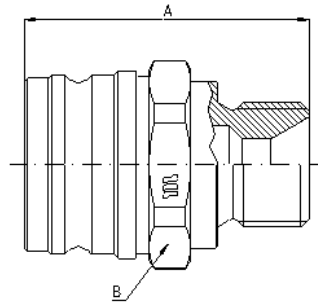
BSP



Q04811041A

BSP TERMINATION ENDS
TO DIN 3852 X TYPE

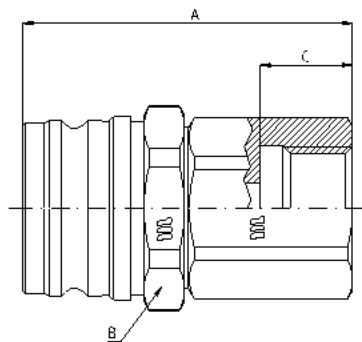
SIZE			PART NUMBER		THREAD	DIMENSIONS mm				
DN	inch	Size	Female coupling			A	B	C		
12.5	1/2"	-08	Q04811041A-08-06		3/8"	55,5	ø44	32		
			Q04811041A-08-08		1/2"	56,5	ø44	32		



Q04711050A

BSP TERMINATION ENDS
TO ISO 8434-6

SIZE			PART NUMBER		THREAD	DIMENSIONS mm				
DN	inch	Size	Male coupling			A	B			
12.5	1/2"	-8	Q04711050A-08-08		1/2"	48	32			

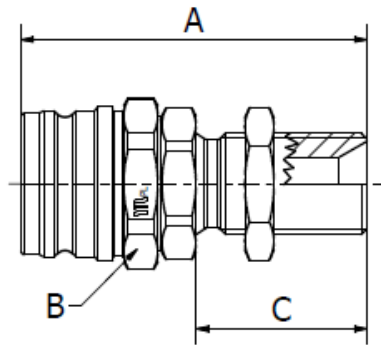


Q04711041A

BSP TERMINATION ENDS
TO DIN 3852 X TYPE

SIZE			PART NUMBER		THREAD	DIMENSIONS mm				
DN	inch	Size	Male coupling			A	B	C		
12.5	1/2"	-08	Q04711041A-08-08		1/2" GAS	57	32	16		

BSP



Q04711040A

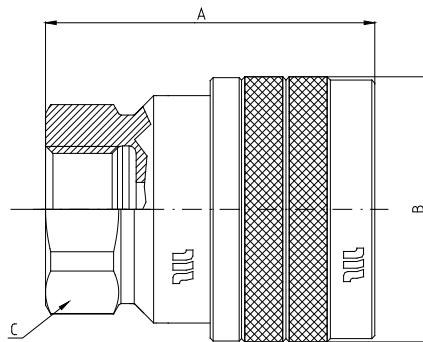
BSP TERMINATION ENDS

TO DIN3852

BULKHEAD

SIZE			PART NUMBER	THREAD	DIMENSIONS mm				
DN	inch	Size	Male coupling		A	B	C		
12.5	1/2"	-08	Q04711040A-08-08	1/2"	70.8	32	35		

METRIC

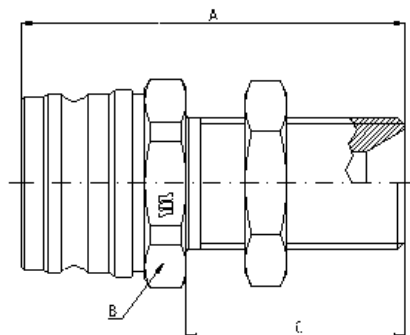


Q04811141A

METRIC TERMINATION ENDS

TO DIN 3852 X TYPE

SIZE			PART NUMBER	THREAD	DIMENSIONS mm				
DN	inch	Size	Female coupling		A	B	C		
12.5	1/2"	-08	Q04811141A-08-18	M18x1,5	55,5	ø44	32		



Q04711370A

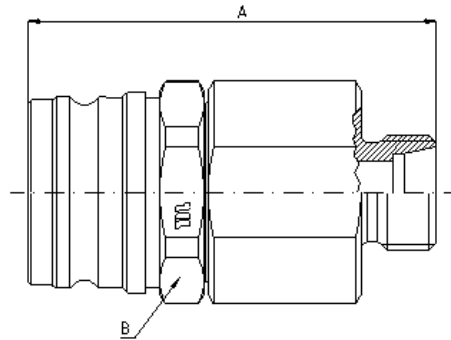
METRIC TERMINATION ENDS

TO DIN 3863

BULKHEAD

SIZE			PART NUMBER	THREAD	DIMENSIONS mm				
DN	inch	Size	Male coupling		A	B			
12.5	1/2"	-08	Q04711370A-08-22	M22x1,5	65	32	37		

METRIC



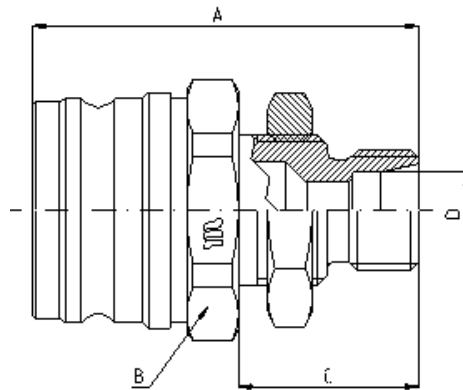
Q0471110A

METRIC TERMINATION ENDS

TO ISO 8434-1

L SERIES

SIZE			PART NUMBER	THREAD	DIMENSIONS mm				
DN	inch	Size	Male coupling		A	B			
12.5	1/2"	-08	Q04711110A-08-18	M18x1,5	65	32			
			Q04711110A-08-22	M22x1,5	64.7	32			



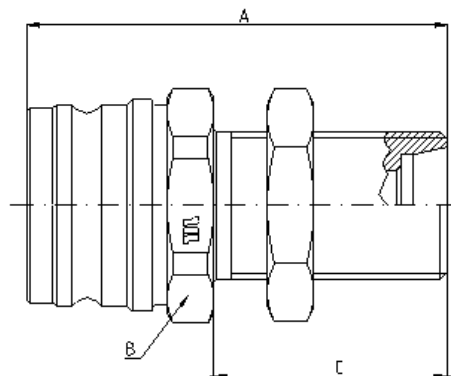
Q04711770A

METRIC TERMINATION END

TO ISO 8434-1

BULKHEAD

SIZE			PART NUMBER	THREAD	DIMENSIONS mm				
DN	inch	Size	Male coupling		A	B	C	D	
12.5	1/2"	-08	Q04711770A-08-16	M16x1,5	52.5	32	24.5	ø10,2	
			Q04711770A-08-18	M18x1,5	52	32	24	ø12,2	



Q04711770A

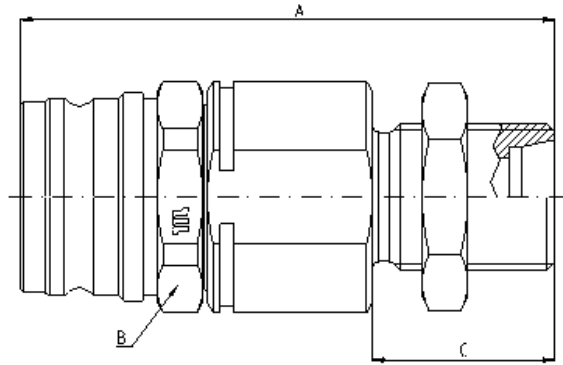
METRIC TERMINATION END

TO ISO 8434-1

BULKHEAD L SERIES

SIZE			PART NUMBER	THREAD	DIMENSIONS mm				
DN	inch	Size	Male coupling		A	B	C		
12.5	1/2"	-08	Q04711770A-08-22	M22x1,5	63	32	35		

METRIC



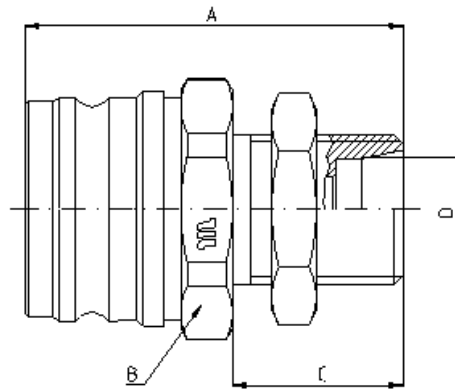
Q04711770B

METRIC TERMINATION END

TO ISO 8434-1

BULKHEAD L SERIES

SIZE			PART NUMBER	THREAD	DIMENSIONS mm				
DN	inch	Size	Male coupling		A	B	C		
12.5	1/2"	-08	Q04711770B-08-22	M22x1,5	82	32	28		



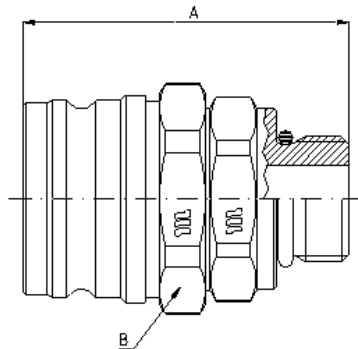
Q04711820A

METRIC TERMINATION END

BULKHEAD

SIZE			PART NUMBER	THREAD	DIMENSIONS mm				
DN	inch	Size	Male coupling		A	B	C	D	
12.5	1/2"	-08	Q04711820A-08-20	M20x1,5	51	32	23	ø13,5	

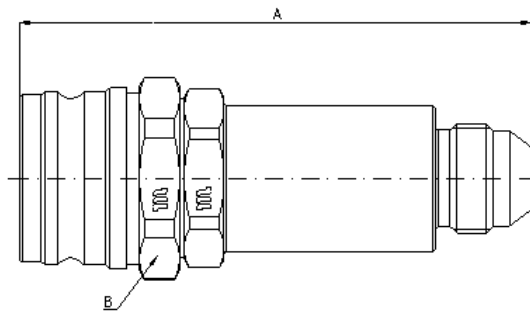
SAE



Q04711300A

SAE TERMINATION END
TO SAE J1926-3

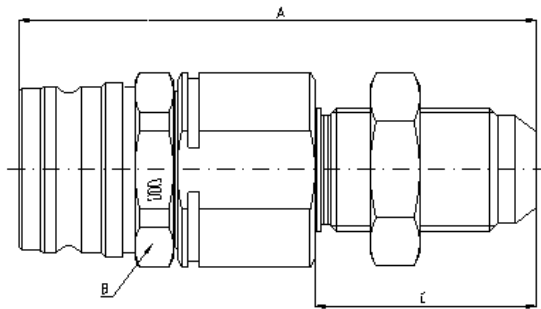
SIZE			PART NUMBER	THREAD	DIMENSIONS mm				
DN	inch	Size	Male coupling		A	B			
12.5	1/2"	-08	Q04711300A-08-08	3/4"-16 UNF	50	32			



Q04711250A

SAE TERMINATION ENDS
TO ISO 8434-2

SIZE			PART NUMBER	THREAD	DIMENSIONS mm				
DN	inch	Size	Male coupling		A	B			
12.5	1/2"	-08	Q04711250A-08-08	3/4"-16 UNF	89.5	32			



Q04711230A

SAE TERMINATION ENDS
TO ISO 8434-2
BULKHEAD

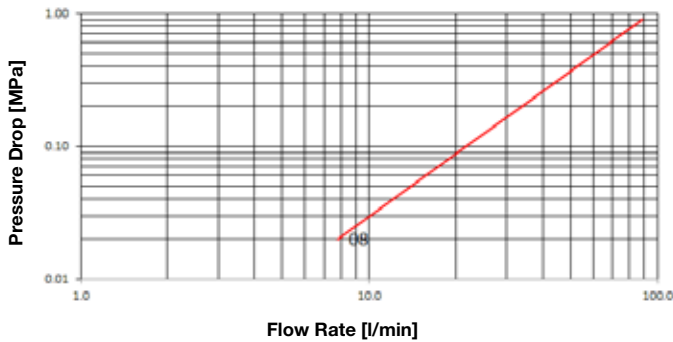
SIZE			PART NUMBER	THREAD	DIMENSIONS mm				
DN	inch	Size	Male coupling		A	B	C		
12.5	1/2"	-08	Q04711230A-08-10	7/8"-14 UNF	94.8	32	40.1		



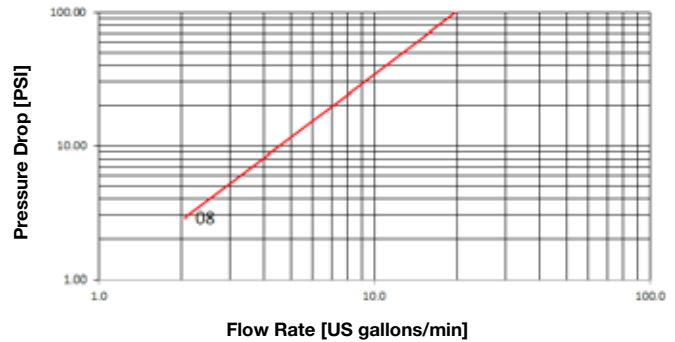
SIZE	WORKING PRESSURE (Dynamic)	RATED FLOW at 0.2 MPa of pressure drop	OIL SPILLAGE Connection/ Disconnection	MINIMUM BURST PRESSURE	CONNECTION/ DISCONNECTION UNDER PRESSURE

mm	inch	dash	MPa	PSI	l/min	US GPM	cc.	cubic inch	Male		Female		M & F		Allowed
									MPa	PSI	MPa	PSI	MPa	PSI	
12.5	1/2	08	20	2900	34	9.0	0.02	0.001	130	18850	80	11600	140	20300	Allowed

Pressure Drop



Pressure Drop



Product description:

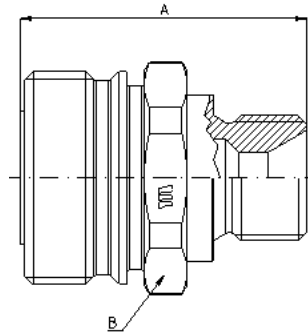
- Trailer brake coupling specially designed to connect the hydraulic breaking system of tractors to trailers
- Connection and disconnection by screwing the sleeve
- Connection secured on the thread between the sleeve and the male coupling
- Flat-valve
- Connection and disconnection under pressure allowed
- The male has to be placed on the tractor and the female on the implement
- Interchangeable with similar products available on the market

Material	Female and male coupling in steel, with hardened stressed areas. Carbonitrided valve, springs in C98 steel, seals in NBR and back-up ring PTFE
Working Temperature	-22°F up to +230°F (-30°C up to +110°C)
Safety Factor	4:1 for dynamic pressures
Test Specifications	ISO 5676 and ISO 7241-2



Safety cap for male coupling and female coupling with parking included

BSP

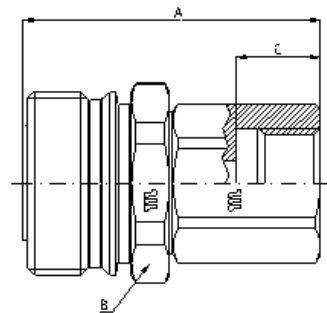


Q04911050A

BSP TERMINATION ENDS

TO ISO 8434-6

SIZE			PART NUMBER	THREAD	DIMENSIONS mm				
DN	inch	Size	Male coupling		A	B			
12.5	1/2"	-08	Q04911050A-08-08	1/2" GAS	48	36			



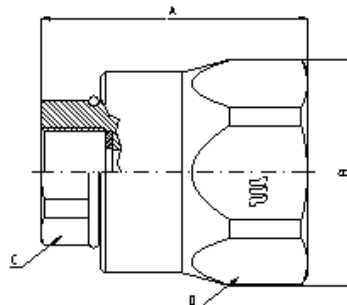
Q04911041A

BSP TERMINATION ENDS

TO DIN 3852 X TYPE

SIZE			PART NUMBER	THREAD	DIMENSIONS mm				
DN	inch	Size	Male coupling		A	B	C		
12.5	1/2"	-08	Q04911041A-08-08	1/2" BSP	57	36	16		

METRIC



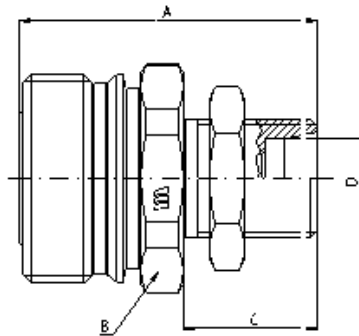
Q05011141A

METRIC TERMINATION ENDS

TO DIN 3852 X TYPE

SIZE			PART NUMBER	THREAD	DIMENSIONS mm				
DN	inch	Size	Female coupling		A	B	C	D	
12.5	1/2"	-08	Q05011141A-08-18	M18x1,5	53.5	ø45	27	41	

METRIC

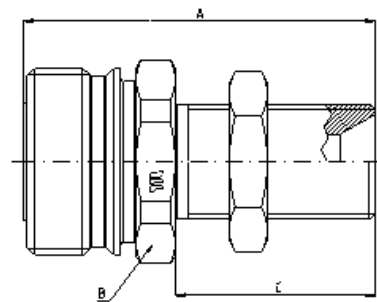


Q04911820A

METRIC TERMINATION ENDS

BULKHEAD

SIZE			PART NUMBER	THREAD	DIMENSIONS mm				
DN	inch	Size	Male coupling		A	B	C	D	
12.5	1/2"	-08	Q04911820A-08-20	M20x1,5	51	36	23	ø13,5	



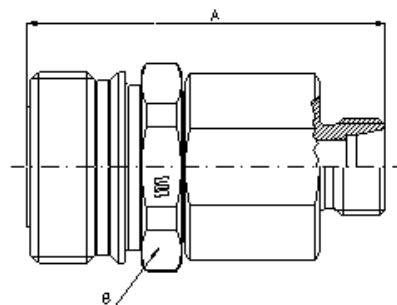
Q04911370A

METRIC TERMINATION ENDS

TO DIN 3863

BULKHEAD

SIZE			PART NUMBER	THREAD	DIMENSIONS mm				
DN	inch	Size	Male coupling		A	B	C		
12.5	1/2"	-08	Q04911370A-08-22	M22x1,5	65	36	37		



Q04911110A

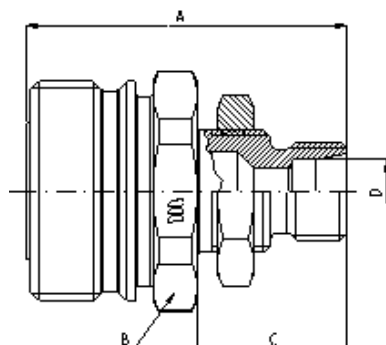
METRIC TERMINATION ENDS

TO ISO 8434-1

L SERIES

SIZE			PART NUMBER	THREAD	DIMENSIONS mm				
DN	inch	Size	Male coupling		A	B			
12.5	1/2"	-08	Q04911110A-08-18	M18x1,5	65	36			
			Q04911110A-08-22	M22x1,5	64.7	36			

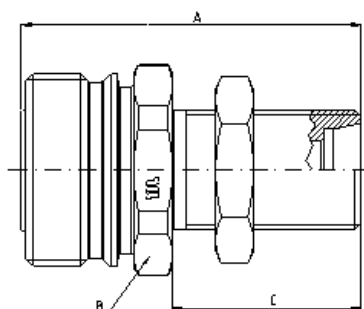
METRIC



Q04911770A

METRIC TERMINATION END
TO ISO 8434-1
BULKHEAD

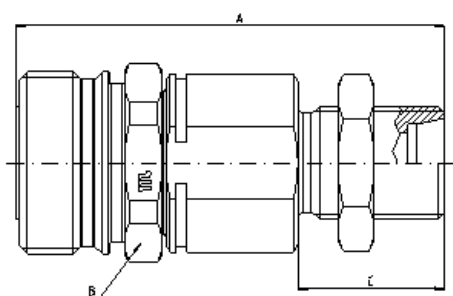
SIZE			PART NUMBER	THREAD	DIMENSIONS mm				
DN	inch	Size	Male coupling		A	B	C	D	
12.5	1/2"	-08	Q04911770A-08-16	M16x1,5	52.5	36	24.5	∅10,2	
			Q04911770A-08-18	M18x1,5	52	36	24	∅12,2	



Q04911770A

METRIC TERMINATION END
TO ISO 8434-1
BULKHEAD L SERIES

SIZE			PART NUMBER	THREAD	DIMENSIONS mm				
DN	inch	Size	Male coupling		A	B	C		
12.5	1/2"	-08	Q04911770A-08-22	M22x1,5	63	36	35		

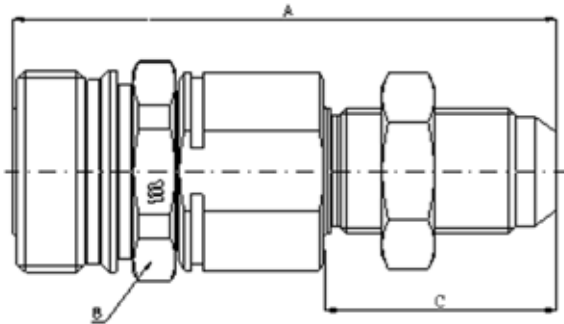


Q04911770B

METRIC TERMINATION END
TO ISO 8434-1
BULKHEAD L SERIES

SIZE			PART NUMBER	THREAD	DIMENSIONS mm				
DN	inch	Size	Male coupling		A	B	C		
12.5	1/2"	-08	Q04911770B-08-22	M22x1,5	82	36	28		

METRIC

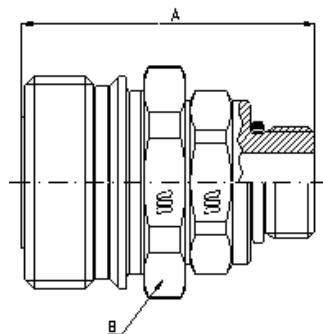


Q0501141A

METRIC TERMINATION ENDS
TO DIN 3852 X TYPE

SIZE			PART NUMBER	THREAD	DIMENSIONS mm				
DN	inch	Size	Male coupling		A	B	C	D	
12.5	1/2"	-08	Q0501141A-08-18	M18x1,5	53.5	ø45	27	41	

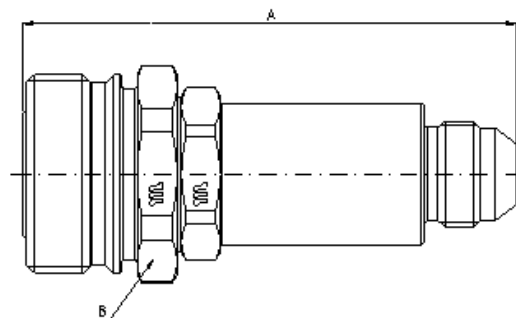
SAE



Q04911300A

SAE TERMINATION END
TO SAE J1926-3

SIZE			PART NUMBER	THREAD	DIMENSIONS mm				
DN	inch	Size	Male coupling		A	B			
12.5	1/2"	-08	Q04911300A-08-08	3/4"-16 UNF	50	36			

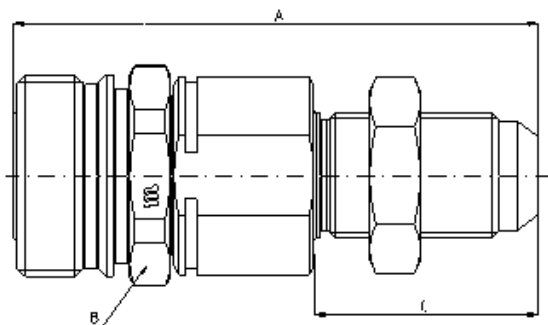


Q04711250A

SAE TERMINATION ENDS
TO ISO 8434-2

SIZE			PART NUMBER	THREAD	DIMENSIONS mm				
DN	inch	Size	Male coupling		A	B			
12.5	1/2"	-08	Q04911250A-08-08	3/4"-16 UNF	89.5	36			

SAE



Q04911230A




SAE TERMINATION ENDS

TO ISO 8434-2

BULKHEAD

SIZE			PART NUMBER	THREAD	DIMENSIONS mm				
DN	inch	Size	Male coupling		A	B	C		
12.5	1/2"	-08	Q04911230A-08-10	7/8"-14 UNF	94.8	36	40.1		



		
SIZE	WORKING PRESSURE (Dynamic)	MINIMUM BURST PRESSURE

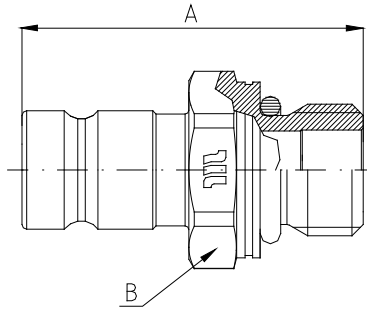
mm	inch	dash	MPa	PSI	Male	
					MPa	PSI
5	1/8	02	42	6090	250	36250

Product description:

- Quick coupling purposely designed to easily access hydraulic systems for performance testing
- Installing male coupling in several parts of the hydraulic system, a reliable diagnosis can be carried out in a short time
- Connection by pushing the male coupling in the female of vice-versa
- Disconnection by pulling back the sleeve
- Retaining by ball latching system
- Shut-off system by flat valve
- Wide range of termination ends available on request and protective cap
- Interchangeability according to ISO 15171-1 and SAE J1502

Material	Male coupling in steel, with some hardened areas in correspondence to the most stressed points. Carbonitrided valve, spring in C98 steel and seals in NBR (other materials on request)
Working Temperature	-22°F up to +230°F (-30°C up to +110°C) For different temperature range, the coupling can be assembled with specific seals
Safety Factor	4:1 for dynamic pressures
Impulse Pressures	1,000,000 cycles at 133% of the rated one (freq. 1Hz)
Test Specifications	ISO 15171-1, SAE J1502 and ISO 7241-2

METRIC



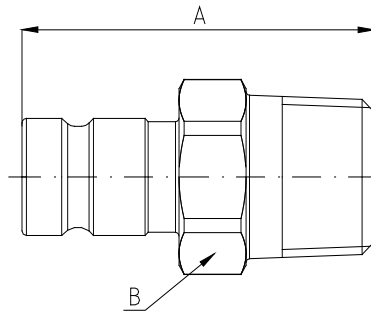
Q0451190A

METRIC TERMINATION ENDS

TO ISO 6149-2

SIZE			PART NUMBER	THREAD	DIMENSIONS mm					
DN	inch	Size	Female coupling		A	B				
5	1/8"	-02	Q0451190A-02-14	M14x1,5	36.4	19				

NPT



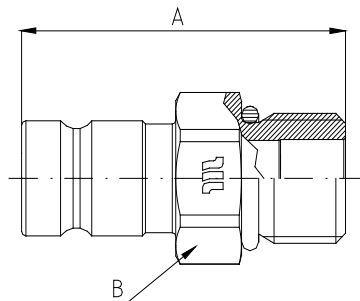
Q04511280A

NPT TERMINATION ENDS

TO ANSI B 1.20.3

SIZE			PART NUMBER	THREAD	DIMENSIONS mm					
DN	inch	Size	Female coupling		A	B				
5	1/8"	-02	Q04511280A-02-02	1/8" NPTF	39.8	17				
			Q04511280A-02-04	1/4" NPTF	44.3	17				
			Q04511280A-02-06	3/8" NPTF	39.9	19				

SAE



Q04511320A

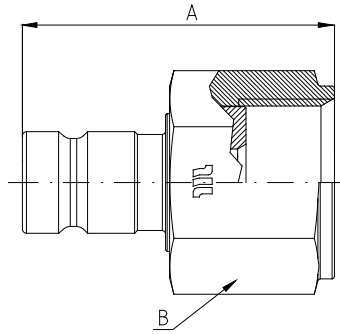
ORB TERMINATION ENDS

TO SAE J1926-2

S SERIES

SIZE			PART NUMBER	THREAD	DIMENSIONS mm					
DN	inch	Size	Female coupling		A	B				
5	1/8"	-02	Q04511320A-02-04	7/16"-20	40.8	17				
			Q04511320A-02-06	9/16"-18 UNF	37.4	17				

SAE



Q04511241A
 ORFS TERMINATION ENDS
 TO SAE J1453

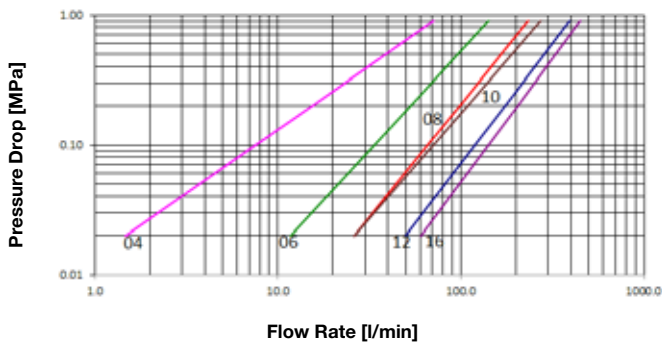
SIZE			PART NUMBER	THREAD	DIMENSIONS mm					
DN	inch	Size	Female coupling		A	B				
5	1/8"	-02	Q04511241A-02-08	13/16"-16 UN	38.8	24				



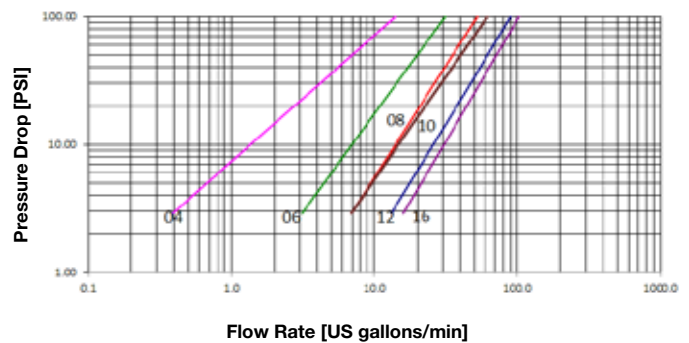
	MPa		FLOW RATE	N	OIL SPILLAGE	MINIMUM BURST PRESSURE	CONNECTION/ DISCONNECTION UNDER PRESSURE
SIZE	WORKING PRESSURE - CONNECTED (Dynamic)	WORKING PRESSURE - DISCONNECTED (Dynamic)	RATED FLOW at 0.2 MPa of pressure drop	CONNECTION EFFORT	Connection/ Disconnection		

mm	inch	dash	MPa		PSI		l/ min	US GPM	N	lb.	cc.	cubic inch	Male		Female		M & F		
			MPa	PSI	MPa	PSI							MPa	PSI					
6.3	¼	04	35	5075	35	5075	15	4.0	130	29.2	0.005	0.0003	160	23200	140	20300	150	21750	Not allowed
10	⅜	06	35	5075	25	3625	53	14.0	130	29.2	0.007	0.0004	140	20300	125	18125	145	21025	Not allowed
12.5	½	08	35	5075	25	3625	98	25.9	140	31.5	0.008	0.0005	135	19575	115	16675	145	21025	Not allowed
16	⅝	10	35	5075	25	3625	109	28.8	150	33.7	0.008	0.0005	150	21750	100	14500	140	20300	Not allowed
19	¾	12	35	5075	25	3625	174	46.0	210	47.2	0.009	0.0005	110	15950	102	15225	145	21025	Not allowed
25	1	16	35	5075	21	3045	203	53.6	230	51.7	0.02	0.0012	100	14500	85	12325	150	21750	Not allowed

Pressure Drop



Pressure Drop

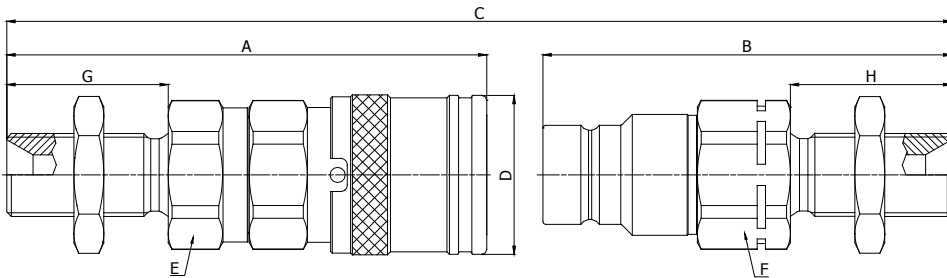


Product description:

- Flat mating surfaces easily wiped clean to prevent contamination and spillage during connection/disconnection
- Connection is made by pushing the male coupling and disconnection by pulling back the sleeve of the female
- Positive, quick connection of the male into the female by the latching ball system
- Shut-off by flat valve
- Interchangeability according to ISO 16028 and HTMA standards (only for ⅜")
- 1,000,000 cycles at 133% of rated (freq. 1Hz - connected conditions)

Material	Female and male coupling in steel, with some stressed tempered or carbonitrided areas. Springs in AISI and C98 steel, seals in polyurethane and NB. Other materials (VTON, EPDM or any others) on request
Working Temperature	-22°F up to +230°F (-30°C up to +110°C) For other temperatures the coupling is assembled with the specified seals
Safety Factor	4:1 for dynamic pressures
Impulse Pressures	100,000 cycles at 133% of the rated one (freq. 1Hz) in disconnected conditions. 1,000,000 cycles at 133% of rated one (freq. 1Hz) in connected conditions.
Test Specifications	ISO 16028:1997aMD.1.2006 (E) and ISO 7241-2

BSP



Q04111040A

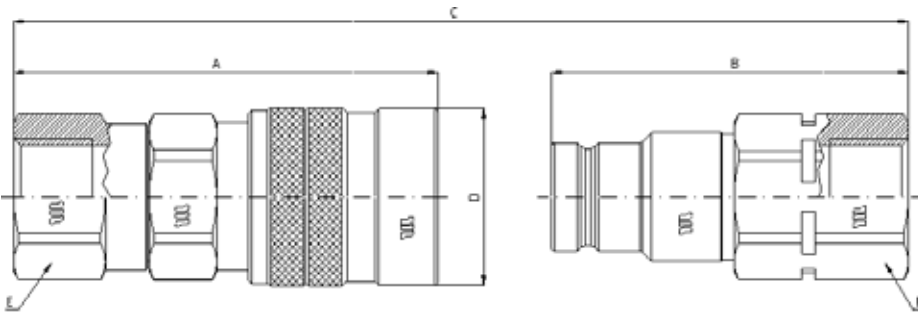
Q03911040A

BSP TERMINATION ENDS

TO DIN3852

BULKHEAD

SIZE			PART NUMBER		THREAD	DIMENSIONS mm							
DN	inch	Size	Female coupling	Male coupling		A	B	C	D	E	F	G	H
10	3/8"	-06	Q04111040A-06-06	Q03911040A-06-06	3/8"	99.9	82.5	A+B-16,4	ø32	27	27	32	32



Q04111041A

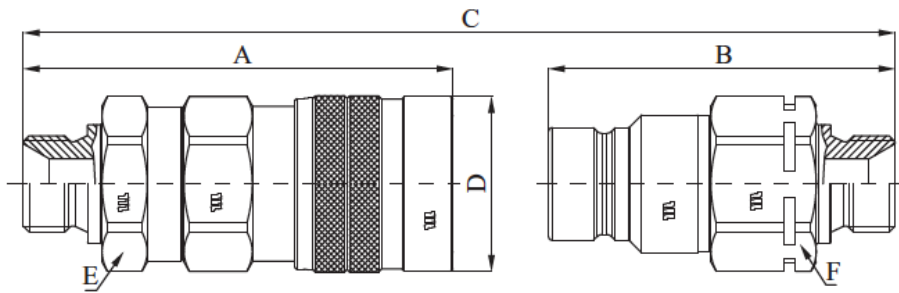
Q03911041A

BSP TERMINATION ENDS

TO DIN 3852 X TYPE

SIZE			PART NUMBER		THREAD	DIMENSIONS mm							
DN	inch	Size	Female coupling	Male coupling		A	B	C	D	E	F		
6.3	1/4"	-04	Q04111041A-04-04	Q03911041A-04-04	1/4"	63.6	52.1	A+B-11,1	ø28	24	22		
			Q04111041A-04-06	Q03911041A-04-06	1/4"	63.6	53.6	A+B-11,1	ø28	24	22		
10	3/8"	-06	Q04111041A-06-06	Q03911041A-06-06	3/8"	74.9	62.5	A+B-15,9	ø32	27	27		
			Q04111041A-06-08	Q03911041A-06-08	1/2"	77.9	65.5	A+B-15,9	ø32	27	27		
12.5	1/2"	-08	Q04111041A-08-08	Q03911041A-08-08	1/2"	84.7	72.5	A+B-17,1	ø38	34	34		
			Q04111041A-08-12	Q03911041A-08-12	3/4"	86.7	74.5	A+B-17,1	ø38	34	34		
16	5/8"	-10	Q04111041A-10-12	Q03911041A-10-12	3/4"	89.9	75.1	A+B-17,6	ø42	34	34		
20	3/4"	-12	Q04111041A-12-12	Q03911041A-12-12	3/4"	105.9	88.5	A+B-21,7	ø48	41	41		
			Q04111041A-12-16	Q03911041A-12-16	1"	108.9	91.5	A+B-21,7	ø48	41	41		
25	1"	-16	Q04111041A-16-16	Q03911041A-16-16	1"	114.5	89.8	A+B-22,9	ø55	50	50		
			Q04111041A-16-20	Q03911041A-16-20	1.1/4"	117	94.8	A+B-22,9	ø55	50	50		

BSP



Q04111050A

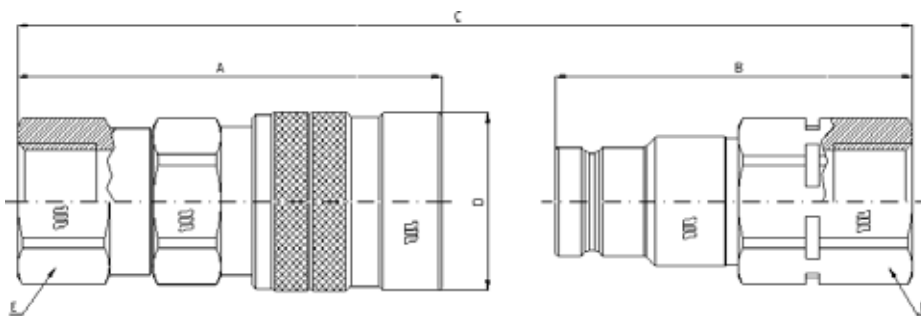
Q03911050A

BSP TERMINATION ENDS

TO ISO 8434-6

SIZE			PART NUMBER		THREAD	DIMENSIONS mm							
DN	inch	Size	Female coupling	Male coupling		A	B	C	D	E	F		
10	3/8"	-06	Q04111050A-06-06	Q03911050A-06-06	3/8"	82.6	65.2	A+B-15,9	ø32	27	27		
			Q04111050A-06-08	Q03911050A-06-08	1/2"	85.1	67.7	A+B-15,9	ø32	27	27		
12.5	1/2"	-08	Q04111050A-08-08	Q03911050A-08-08	1/2"	92.9	77.7	A+B-17,1	ø38	34	34		
			Q04111050A-08-12	Q03911050A-08-12	3/4"	94.9	79.7	A+B-17,1	ø38	34	34		
16	5/8"	-10	Q04111050A-10-12	Q03911050A-10-12	3/4"	95.6	80.3	A+B-17,6	ø42	34	34		

METRIC



Q04111141A

Q03911141A

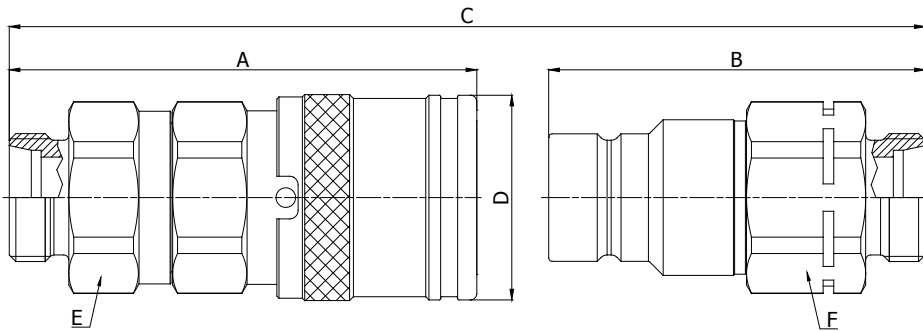
METRIC TERMINATION ENDS

TO ISO 3852-1 X TYPE

SIZE			PART NUMBER		THREAD	DIMENSIONS mm							
DN	inch	Size	Female coupling	Male coupling		A	B	C	D	E	F		
6.3	1/4"	-04	Q04111141A-04-16	Q03911141A-04-16	M16x1,5	63.6	53.6	A+B-11,1	ø28	24	22		
10	3/8"	-06	Q04111141A-06-18	Q03911141A-06-18	M18x1,5	77.9	62.5	A+B-15,9	ø32	27	27		
			Q04111141A-06-22	Q03911141A-06-22	M22x1,5	77.9	64.5	A+B-15,9	ø32	27	27		

FLAT FACE - TERMINATION ENDS

METRIC



Q0411110A

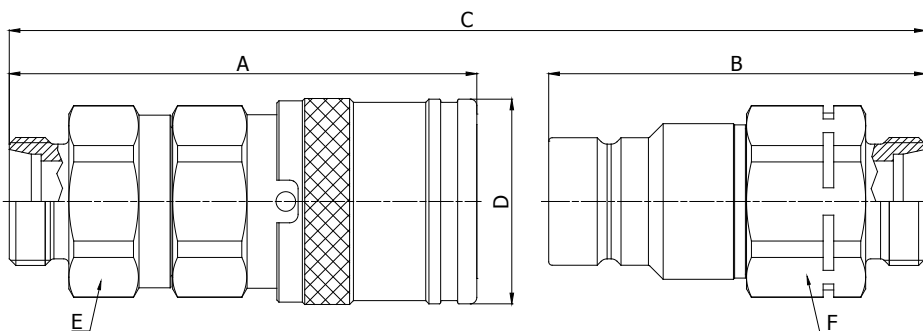
Q0391110A

METRIC TERMINATION END

TO ISO 8434-1

L SERIES

SIZE			PART NUMBER		THREAD	DIMENSIONS mm							
DN	inch	Size	Female coupling	Male coupling		A	B	C	D	E	F		
6.3	1/4"	-04	Q0411110A-04-12	Q0391110A-04-12	M16x1,5	68.6	50.1	A+B-11,1	ø28	24	22		
			Q0411110A-04-14	Q0391110A-04-14	M14x1,5	68.6	50.1	A+B-11,1	ø28	24	22		
			Q0411110A-04-16	Q0391110A-04-16	M16x1,5	68.6	50.1	A+B-11,1	ø28	24	22		
10	3/8"	-06	Q0411110A-06-14	Q0391110A-06-14	M14x1,5	77.9	61.5	A+B-15,9	ø32	27	27		
			Q0411110A-06-16	Q0391110A-06-16	M16x1,5	78.9	62.5	A+B-15,9	ø32	27	27		
			Q0411110A-06-18	Q0391110A-06-18	M18x1,5	78.9	61.5	A+B-15,9	ø32	27	27		
			Q0411110A-06-22	Q0391110A-06-22	M22x1,5	79.9	62.5	A+B-15,9	ø32	27	27		
12.5	1/2"	-08	Q0411110A-08-18	Q0391110A-08-18	M18x1,5	86.7	72.5	A+B-17,1	ø38	34	34		
			Q0411110A-08-22	Q0391110A-08-22	M22x1,5	87.7	72.5	A+B-17,1	ø38	34	34		
			Q0411110A-08-26	Q0391110A-08-26	M26x1,5	87.7	72.5	A+B-17,1	ø38	34	34		
20	3/4"	-12	Q0411110A-12-26	Q0391110A-12-26	M26x1,5	101.9	86.5	A+B-21,7	ø48	41	41		
			Q0411110A-12-30	Q0391110A-12-30	M30x2	103.9	88.5	A+B-21,7	ø48	41	41		
25	1"	-16	Q0411110A-16-30	Q0391110A-16-30	M30x2	110.5	79.8	A+B-22,9	ø55	50	50		



Q0411120A

Q0391120A

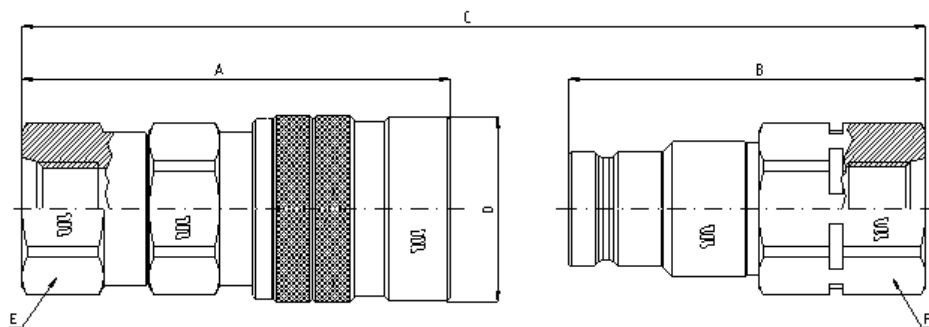
METRIC TERMINATION END

TO ISO 8434-1

S SERIES

SIZE			PART NUMBER		THREAD	DIMENSIONS mm							
DN	inch	Size	Female coupling	Male coupling		A	B	C	D	E	F		
6.3	1/4"	-04	Q0411120A-04-16	Q0391120A-04-16	M16x1,5	69.6	51.1	A+B-11,1	ø28	24	22		
			Q0411120A-04-18	Q0391120A-04-18	M18x1,5	69.6	51.1	A+B-11,1	ø28	24	22		
10	3/8"	-06	Q0411120A-06-18	Q0391120A-06-18	M18x1,5	79.9	62.5	A+B-15,9	ø32	27	27		
			Q0411120A-06-20	Q0391120A-06-20	M20x1,5	79.9	62.5	A+B-15,9	ø32	27	27		
12.5	1/2"	-08	Q0411120A-08-20	Q0391120A-08-20	M20x1,5	87.7	72.5	A+B-17,1	ø38	34	34		
			Q0411120A-08-24	Q0391120A-08-24	M24x1,5	87.7	74.5	A+B-17,1	ø38	34	34		
20	3/4"	-12	Q0411120A-12-30	Q0391120A-12-30	M30x2	105.9	90.5	A+B-21,7	ø48	41	41		

METRIC



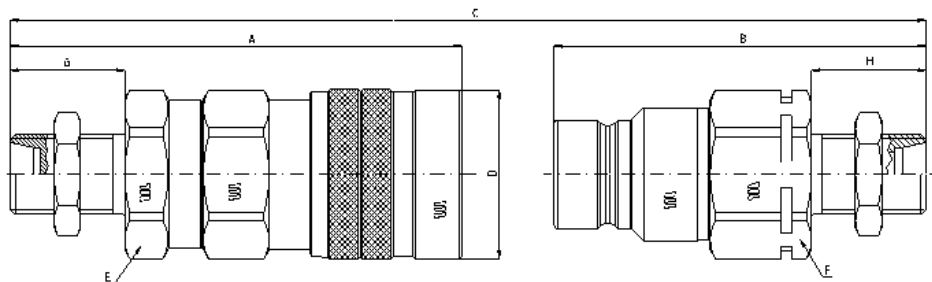
Q0411191A

Q0391191A

METRIC TERMINATION ENDS

TO ISO 6149-1

SIZE			PART NUMBER		THREAD	DIMENSIONS mm							
DN	inch	Size	Female coupling	Male coupling		A	B	C	D	E	F		
10	3/8"	-06	Q0411191A-06-16	Q0391191A-06-16	M16x1,5	75.4	63	A+B-15,9	ø32	27	27		
			Q0411191A-06-18	Q0391191A-06-18	M18x1,5	76.9	64.5	A+B-15,9	ø32	27	27		



Q04111770B

Q03911770B

METRIC TERMINATION END

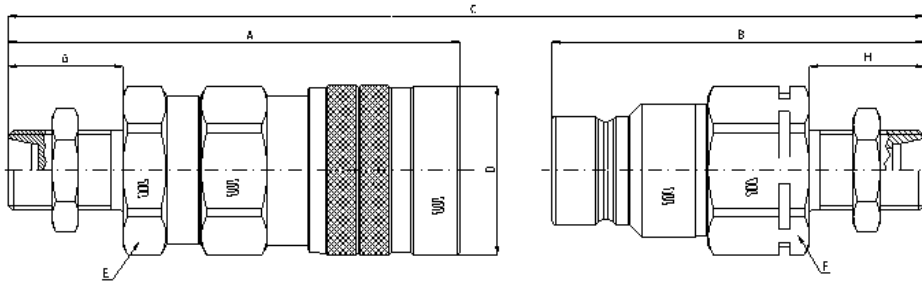
TO ISO 8434-1

BULKHEAD L SERIES

SIZE			PART NUMBER		THREAD	DIMENSIONS mm							
DN	inch	Size	Female coupling	Male coupling		A	B	C	D	E	F	G	H
6.3	1/4"	-04	Q04111770B-04-12	Q03911770B-04-12	M12x1,5	82.6	65.1	A+B-11,1	ø28	24	22	25	25
			Q04111770B-04-14	Q03911770B-04-14	M14x1,5	82.6	64.1	A+B-11,1	ø28	24	22	25	25
			Q04111770B-04-16	Q03911770B-04-16	M16x1,5	83.6	64.1	A+B-11,1	ø28	24	22	26	26
10	3/8"	-06	Q04111770B-06-16	Q03911770B-06-16	M16x1,5	93.9	76.5	A+B-15,9	ø32	27	27	26	26
			Q04111770B-06-18	Q03911770B-06-18	M18x1,5	93.9	76.5	A+B-15,9	ø32	27	27	26	26
			Q04111770B-06-22	Q03911770B-06-22	M22x1,5	94.9	77.5	A+B-15,9	ø32	27	27	27	27
12.5	1/2"	-08	Q04111770B-08-18	Q03911770B-08-18	M18x1,5	101.7	86.5	A+B-17,1	ø38	34	34	26	26
			Q04111770B-08-22	Q03911770B-08-22	M22x1,5	102.7	87.5	A+B-17,1	ø38	34	34	27	27
			Q04111770B-08-26	Q03911770B-08-26	M26x1,5	103.7	88.5	A+B-17,1	ø38	34	34	28	28
20	3/4"	-12	Q04111770B-12-26	Q03911770B-12-26	M26x1,5	114.9	102.5	A+B-21,7	ø48	41	41	29	29
			Q04111770B-12-30	Q03911770B-12-30	M30x2	118.9	106.5	A+B-21,7	ø48	41	41	32	32

FLAT FACE HIGH PRESSURE - TERMINATION ENDS

METRIC



Q04111870B

Q03911870B

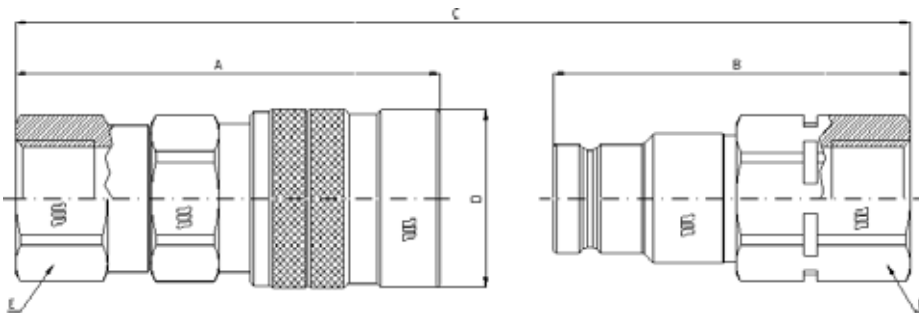
METRIC TERMINATION END

TO ISO 8434-1

BULKHEAD S SERIES

SIZE			PART NUMBER		THREAD	DIMENSIONS mm							
DN	inch	Size	Female coupling	Male coupling		A	B	C	D	E	F	G	H
6.3	1/4"	-04	Q04111870B-04-16	Q03911870B-04-16	M16x1,5	83.6	65.1	A+B-11,1	ø28	24	22	27	27
			Q04111870B-04-18	Q03911870B-04-18	M18x1,5	83.6	65.1	A+B-11,1	ø28	24	22	27	27
10	3/8"	-06	Q04111870B-06-18	Q03911870B-06-18	M18x1,5	94.9	77.5	A+B-15,9	ø32	27	27	27	27
			Q04111870B-06-20	Q03911870B-06-20	M20x1,5	94.9	77.5	A+B-15,9	ø32	27	27	27	27
12.5	1/2"	-08	Q04111870B-08-24	Q03911870B-08-24	M24x1,5	104.7	89.5	A+B-17,1	ø38	34	34	29	29
20	3/4"	-12	Q04111870B-12-30	Q03911870B-12-30	M30x2	119.9	108.5	A+B-21,7	ø48	41	41	34	34
25	1"	-16	Q04111870B-16-36	Q03911870B-16-36	M36x2	128.5	101.8	A+B-22,9	ø55	50	50	36	36

NPT



Q04111341A

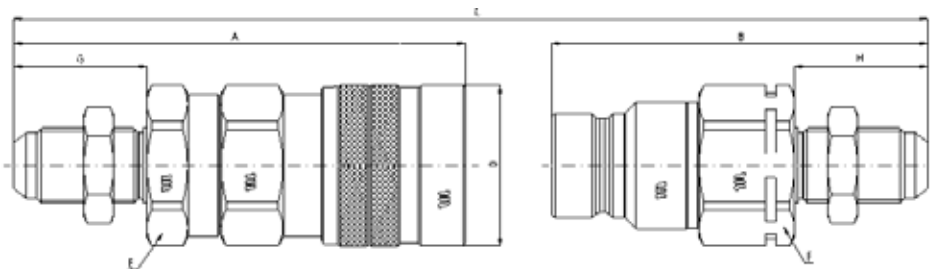
Q03911341A

NPTF TERMINATION END

TO ANSI B 1.20.3

SIZE			PART NUMBER		THREAD	DIMENSIONS mm							
DN	inch	Size	Female coupling	Male coupling		A	B	C	D	E	F		
6.3	1/4"	-04	Q04111341A-04-04	Q03911341A-04-04	1/4" NPTF	63.6	52.1	A+B-11,1	ø28	24	22		
10	3/8"	-06	Q04111341A-06-06	Q03911341A-06-06	3/8" NPTF	74.9	62.5	A+B-15,9	ø32	27	27		
			Q04111341A-06-08	Q03911341A-06-08	1/2" NPTF	77.9	65.5	A+B-15,9	ø32	27	27		
12.5	1/2"	-08	Q04111341A-08-08	Q03911341A-08-08	1/2" NPTF	84.7	72.5	A+B-17,1	ø38	34	34		
			Q04111341A-08-12	Q03911341A-08-12	3/4" NPTF	86.7	74.5	A+B-17,1	ø38	34	34		
16	5/8"	-10	Q04111341A-10-08	Q03911341A-10-08	1/2" NPTF	87.9	73.1	A+B-17,6	ø42	34	34		
			Q04111341A-10-12	Q03911341A-10-12	3/4" NPTF	89.9	75.1	A+B-17,6	ø42	34	34		
20	3/4"	-12	Q04111341A-12-12	Q03911341A-12-12	3/4" NPTF	105.9	88.5	A+B-21,7	ø48	41	41		
			Q04111341A-12-16	Q03911341A-12-16	1" NPTF	108.9	91.5	A+B-21,7	ø48	41	41		
25	1"	-16	Q04111341A-16-16	Q03911341A-16-16	1" NPTF	114.5	89.8	A+B-22,9	ø55	50	50		
			Q04111341A-16-20	Q03911341A-16-20	1.1/4" NPTF	116.6	94.8	A+B-23,3	ø55	50	50		

SAE



Q04111230A

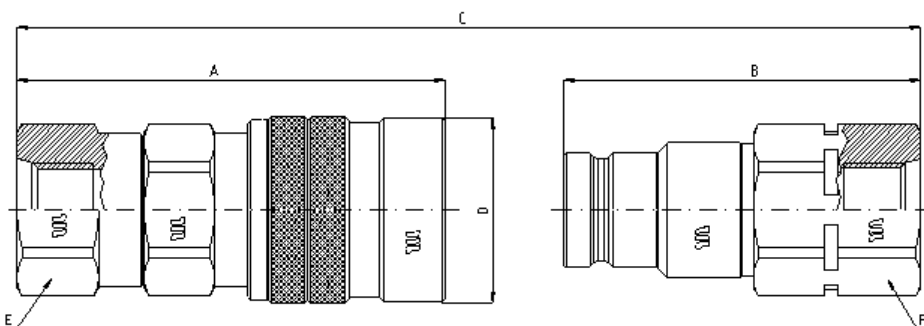
Q03911230A

SAE TERMINATION END

TO ISO 8434-2

BULKHEAD

SIZE			PART NUMBER		THREAD	DIMENSIONS mm							
DN	inch	Size	Female coupling	Male coupling		A	B	C	D	E	F	G	H
10	3/8"	-06	Q04111230A-06-08	Q03911230A-06-08	3/4"-16 UNF	105.5	88.1	A+B-15,9	ø32	27	27	36.6	36.6
			Q04111230A-06-10	Q03911230A-06-10	7/8"-14 UNF	109	91.6	A+B-15,9	ø32	27	27	40.1	40.1
12.5	1/2"	-08	Q04111230A-08-10	Q03911230A-08-10	7/8"-14 UNF	116.8	101.6	A+B-17,1	ø38	34	34	40.1	40.1
			Q04111230A-08-12	Q03911230A-08-12	1.1/16"-12 UN	121.1	105.9	A+B-17,1	ø38	34	34	44.4	44.4



Q04111301A

Q03911301A

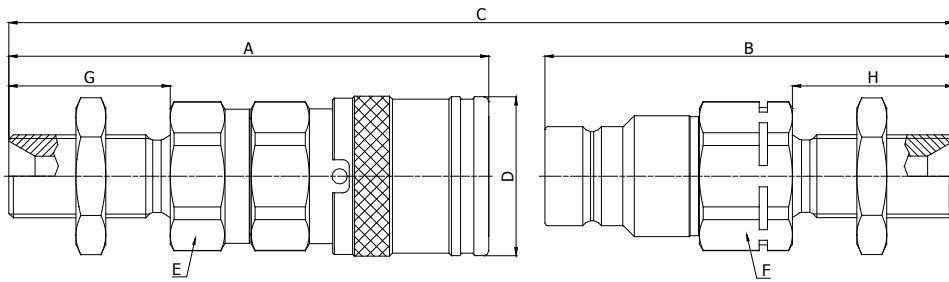
SAE TERMINATION END

TO SAE J1926-1

SIZE			PART NUMBER		THREAD	DIMENSIONS mm							
DN	inch	Size	Female coupling	Male coupling		A	B	C	D	E	F		
6.3	1/4"	-04	Q04111301A-04-06	Q03911301A-04-06	9/16"-18 UNF	63.6	53.6	A+B-11,1	ø28	24	22		
10	3/8"	-06	Q04111301A-06-06	Q03911301A-06-06	9/16"-18 UNF	75.4	63	A+B-15,9	ø32	27	27		
			Q04111301A-06-08	Q03911301A-06-08	3/4"-16 UNF	77.4	65	A+B-15,9	ø32	27	27		
12.5	1/2"	-08	Q04111301A-06-10	Q03911301A-06-10	7/8"-14 UNF	79.9	67.5	A+B-15,9	ø32	27	27		
			Q04111301A-08-08	Q03911301A-08-08	3/4"-16 UNF	84.2	72	A+B-17,1	ø38	34	34		
12.5	1/2"	-08	Q04111301A-08-10	Q03911301A-08-10	7/8"-14 UNF	86.7	74.5	A+B-17,1	ø38	34	34		
			Q04111301A-08-12	Q03911301A-08-12	1.1/16"-12 UN	89.7	77.5	A+B-17,1	ø38	34	34		
16	5/8"	-10	Q04111301A-10-08	Q03911301A-10-08	3/4"-16 UNF	87.4	72.6	A+B-17,6	ø42	34	34		
			Q04111301A-10-10	Q03911301A-10-10	7/8"-14 UNF	89.9	75.1	A+B-17,6	ø42	34	34		
16	5/8"	-10	Q04111301A-10-12	Q03911301A-10-12	1.1/16"-12 UN	92.9	78.1	A+B-17,6	ø42	34	34		
			Q04111301A-12-12	Q03911301A-12-12	1.1/16"-12 UN	108.9	91.5	A+B-21,7	ø48	41	41		
20	3/4"	-12	Q04111301A-12-16	Q03911301A-12-16	1.5/16"-12 UN	108.9	91.5	A+B-21,7	ø48	41	41		
			Q04111301A-16-16	Q03911301A-16-16	1.5/16"-12 UN	114.5	89.8	A+B-22,9	ø55	50	50		

FLAT FACE HIGH PRESSURE - TERMINATION ENDS

ORFS



Q04111270A

Q03911270A

ORFS TERMINATION ENDS

TO ISO 8434-3

BULKHEAD

SIZE			PART NUMBER		THREAD	DIMENSIONS mm							
DN	inch	Size	Female coupling	Male coupling		A	B	C	D	E	F	G	H
10	3/8"	-06	Q04111270A-06-08	Q03911270A-06-08	13/16"-16 UN	104.4	87	A+B-16,4	ø32	27	27	36.5	36.5

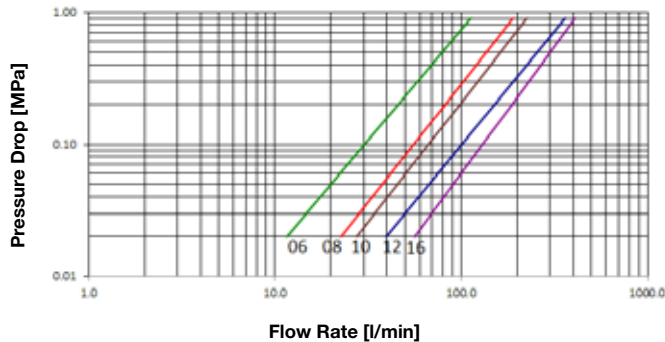
FLAT FACE HIGH PRESSURE



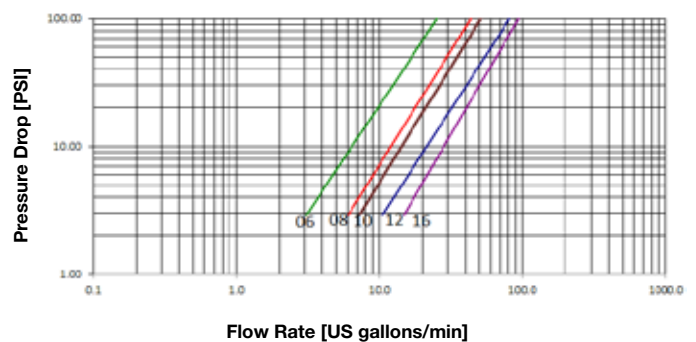
SIZE	WORKING PRESSURE - CONNECTED (Dynamic)	WORKING PRESSURE - DISCONNECTED (Dynamic)	RATED FLOW at 0.2 MPa of pressure drop	CONNECTION EFFORT	OIL SPILLAGE Connection/ Disconnection	MINIMUM BURST PRESSURE	CONNECTION/ DISCONNECTION UNDER PRESSURE
------	--	---	--	-------------------	--	------------------------	--

mm	inch	dash	MPa		PSI		l/ min	US GPM	N	lb.	cc.	cubic inch	Male		Female		M & F		
			MPa	PSI	MPa	PSI							MPa	PSI	MPa	PSI			
6.3	¼	04	See MQS-F																
10	⅜	06	35	5075	35	5075	44	11.6	130	29.2	0.007	0.0004	150	21750	140	20300	170	24650	Not allowed
12.5	½	08	35	5075	35	5075	84	22.2	140	31.5	0.008	0.0005	140	20300	140	20300	160	23200	Not allowed
16	⅝	10	35	5075	35	5075	108	28.5	150	33.7	0.008	0.0005	140	20300	160	23200	160	23200	Not allowed
19	¾	12	35	5075	35	5075	148	39.1	210	47.2	0.009	0.0005	140	20300	140	20300	160	23200	Not allowed
25	1	16	35	5075	35	5075	224	59.2	230	51.7	0.02	0.0012	140	20300	140	20300	160	23200	Not allowed

Pressure Drop



Pressure Drop



Product description:

- MQS-FH is the flat-face line for heavy-duty application setting with 35MPa of working pressure in connected and disconnected conditions
- Push connection and pulling back the sleeve for disconnection with safety device
- Interchangeable with ISO 16028
- 1 Million impulse cycles qualified

Material	Female & male couplings in high grade carbon steel with hardened areas in correspondence to the most stressed points. Male vs. female Sealing system in new Polyurethane compound; other seals in NBR with back-up in PTFE.
Working Temperature	-30°C to +110°C
Safety Factor	4.1 in CONNECTED & DISCONNECTED conditions
Impulse Pressures	1,000,000 cycles at 133% of rated one (freq. 1Hz) in
Test Specifications	ISO 16028; ISO7241-2

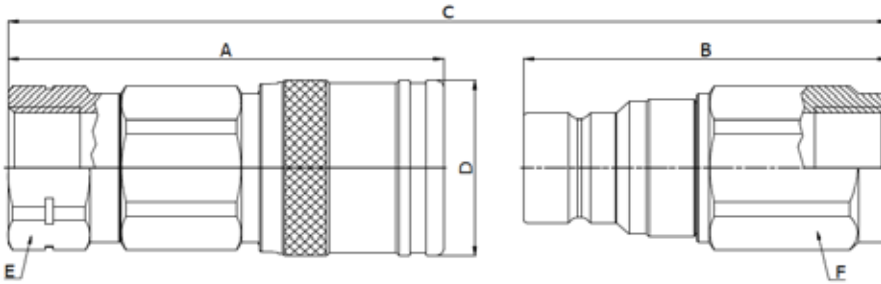
FLAT FACE HIGH PRESSURE - TERMINATION ENDS

BSP

Q04411041

Q04311041

**BSP TERMINATION ENDS
TO DIN 3852 X TYPE**



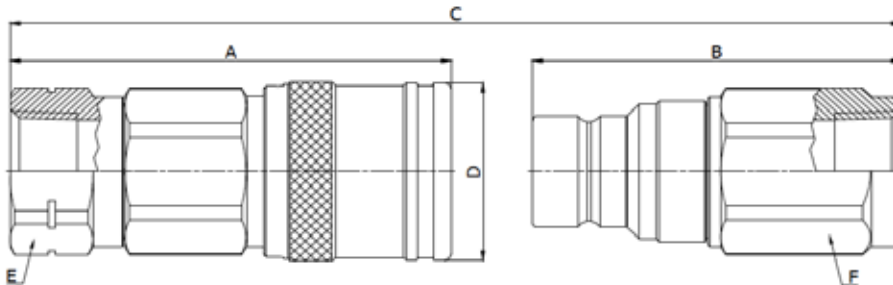
SIZE			PART NUMBER		THREAD	DIMENSIONS mm							
DN	inch	Size	Female coupling	Male coupling		A	B	C	D	E	F		
10	3/8"	-06	Q04411041A-06-06	Q04311041A-06-06	3/8"	78.3	63.8	A+B-15,9	ø32	27	27		
			Q04411041A-06-08	Q04311041A-06-08	1/2"	81.3	67.8	A+B-15,9	ø32	27	27		
12.5	1/2"	-08	Q04411041A-08-08	Q04311041A-08-08	1/2"	88.5	71.3	A+B-17,1	ø38	34	34		
			Q04411041A-08-12	Q04311041A-08-12	3/4"	90.5	75.8	A+B-17,1	ø38	34	34		
16	5/8"	-10	Q04411041A-10-12	Q04311041A-10-12	3/4"	94.6	76.4	A+B-17,1	ø42	36	34		
20	3/4"	-12	Q04411041A-12-12	Q04311041A-12-12	3/4"	108	89.8	A+B-21,7	ø48	41	41		
			Q04411041A-12-16	Q04311041A-12-16	1"	111	92.8	A+B-21,7	ø48	41	41		
25	1"	-16	Q04411041A-16-16	Q04311041A-16-16	1"	119.4	92.1	A+B-22,9	ø55	50	50		
			Q04411041A-16-20	Q04311041A-16-20	1.1/4"	122.4	97.1	A+B-22,9	ø55	50	50		

NPT

Q04411341

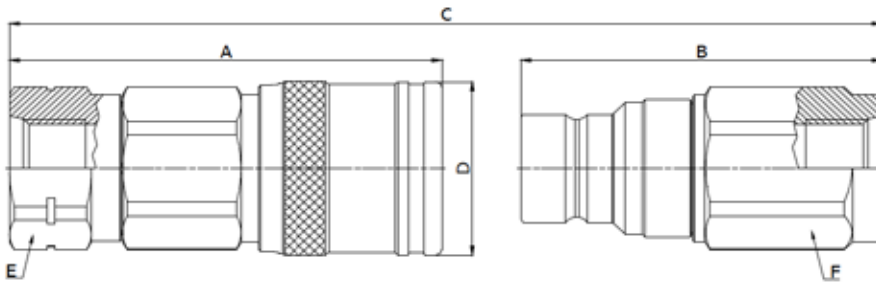
Q04311341

**NPTF TERMINATION END
TO ANSI B 1.20.3**



SIZE			PART NUMBER		THREAD	DIMENSIONS mm							
DN	inch	Size	Female coupling	Male coupling		A	B	C	D	E	F		
10	3/8"	-06	Q04411341A-06-06	Q04311341A-06-06	3/8"-NPT	78.3	63.8	A+B-15,9	ø32	27	27		
12.5	1/2"	-08	Q04411341A-08-08	Q04311341A-08-08	1/2"-NPT	88.5	71.3	A+B-17,1	ø38	34	34		
20	3/4"	-12	Q04411341A-12-12	Q04311341A-12-12	3/4"-NPT	108	89.8	A+B-21,7	ø48	41	41		
25	1"	-16	Q04411341A-16-16	Q04311341A-16-16	1"-NPT	119.4	92.1	A+B-22,9	ø55	50	50		

SAE



Q04411301

Q04311301

SAE TERMINATION END

TO SAE J1926-1

SIZE			PART NUMBER		THREAD	DIMENSIONS mm							
DN	inch	Size	Female coupling	Male coupling		A	B	C	D	E	F		
10	3/8"	-06	Q04411301A-06-08	Q04311301A-06-08	3/4"-16UNF	80,8	66,8	A+B-15,9	ø32	27	27		
12.5	1/2"	-08	Q04411301A-08-10	Q04311301A-08-10	7/8"-14UNF	90.5	74.8	A+B-17,1	ø38	34	34		
			Q04411301A-08-12	Q04311301A-08-12	1.1/16"-12UNF	93.5	78.8	A+B-17,1	ø38	34	34		

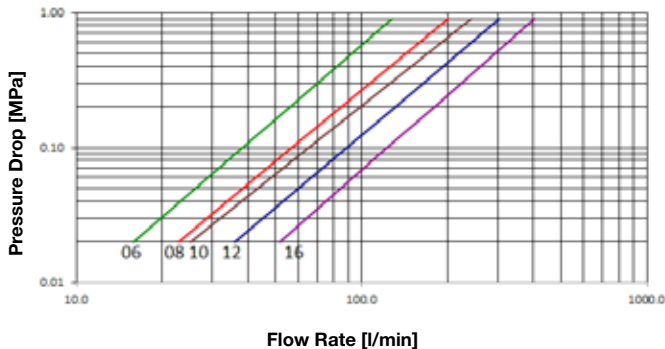


FLAT FACE MALE CONNECTABLE UNDER PRESSURE

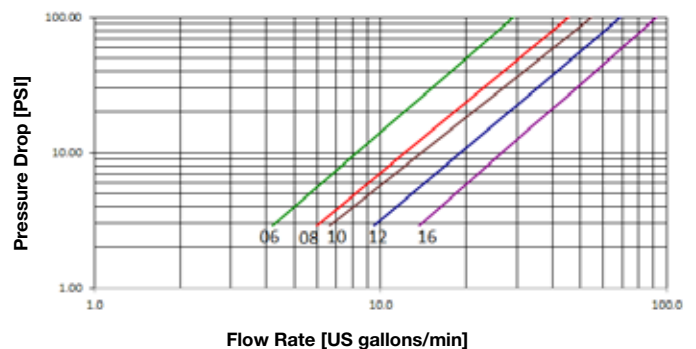
SIZE	WORKING PRESSURE - CONNECTED (Dynamic)	WORKING PRESSURE - DISCONNECTED (Dynamic)	RATED FLOW at 0.2 MPa of pressure drop	CONNECTION EFFORT	OIL SPILLAGE Connection/ Disconnection	MINIMUM BURST PRESSURE	CONNECTION/ DISCONNECTION UNDER PRESSURE

mm	inch	dash	MPa	PSI	MPa	PSI	l/ min	US GPM	N	lb.	cc.	cubic inch	Male		M & F		
													MPa	PSI	MPa	PSI	
10	3/8	06	35	5075	35	5075	56	14.8	150	33.7	0.007	0.0004	170	24650	140	20300	Connection allowed
12.5	1/2	08	35	5075	35	5075	85	22.5	180	40.5	0.008	0.0005	170	24650	140	20300	Connection allowed
16	5/8	10	35	5075	35	5075	99	26.2	200	45.0	0.008	0.0005	170	24650	140	20300	Connection allowed
19	3/4	12	35	5075	35	5075	131	34.6	200	45.0	0.009	0.0005	140	20300	150	21750	Connection allowed
25	1	16	35	5075	35	5075	170	44.9	220	49.5	0.02	0.0012	140	23200	160	23200	Connection allowed

Pressure Drop



Pressure Drop



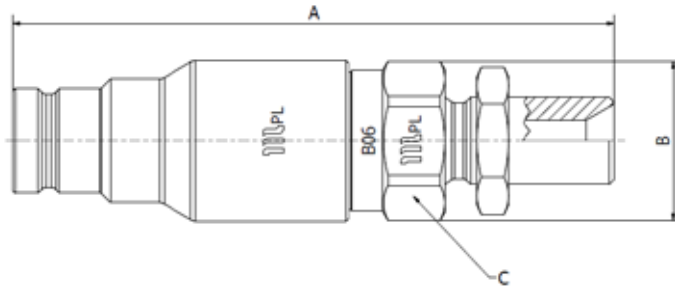
Product description:

- Triple valve system that guarantees connection under pressure (female part always with OMPa) safely
- Low connection effort during connection under pressure
- Working pressure 35MPa
- Interchangeable according to ISO 16028:1997aMD.1:2006 (E)
- Sealing system with flat valve
- Polyurethane seals
- Compact design
- Wide range of termination ends

Material	Couplings in steel with some stressed area hardened, carbonitrided valve, springs in C98 steel, seals in polyurethane and NBR, back-up ring PTFE
Working Temperature	-22°F up to +230°F (-30°C up to +110°C)
Safety Factor	4:1 for dynamic pressures
Impulse Pressures	1,000,000 cycles (connected and disconnected conditions) at 133% of the rated one (freq. 1Hz)
Test Specifications	ISO 7241-2 and ISO 16028:1997aMD.1.2006 (E)

FLAT FACE MALE CONNECTABLE UNDER PRESSURE - TERMINATION ENDS

BSP



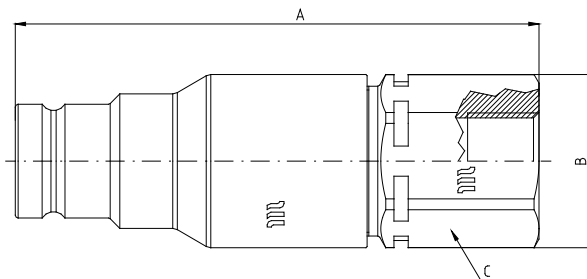
Q04011040A

BSP TERMINATION ENDS

TO DIN 3852-2

BULKHEAD

SIZE			PART NUMBER	THREAD	DIMENSIONS mm					
DN	inch	Size	Male coupling		A	B	C			
10	3/8"	-06	Q04011040A-06-06	3/8"	113.5	ø30	27			



Q04011041A

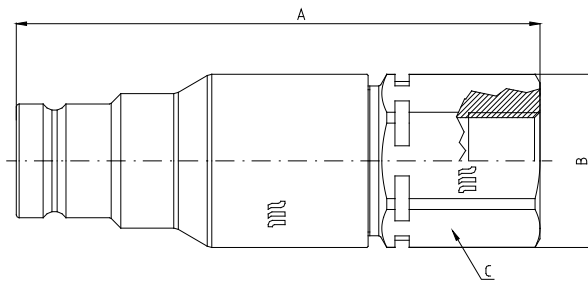
BSP TERMINATION ENDS

TO DIN 3852 TYPE

SIZE			PART NUMBER	THREAD	DIMENSIONS mm					
DN	inch	Size	Male coupling		A	B	C			
10	3/8"	-06	Q04011041A-06-06	3/8"	91.7	ø30	27			
			Q04011041A-06-08	1/2"	94	ø30	27			
12	1/2"	-08	Q04011041A-08-08	1/2"	98	ø38	34			
			Q04011041A-08-12	3/4"	100	ø38	34			
16	5/8"	-10	Q04011041A-10-12	3/4"	114.3	ø40	36			
19	3/4"	-12	Q04011041A-12-12	3/4"	118	ø45	41			
			Q04011041A-12-16	1"	122	ø45	41			
25	1"	-16	Q04011041A-16-16	1"	126.3	ø55	50			
			Q04011041A-16-20	1.1/4"	130	ø55	50			

FLAT FACE MALE CONNECTABLE UNDER PRESSURE - TERMINATION ENDS

NPT



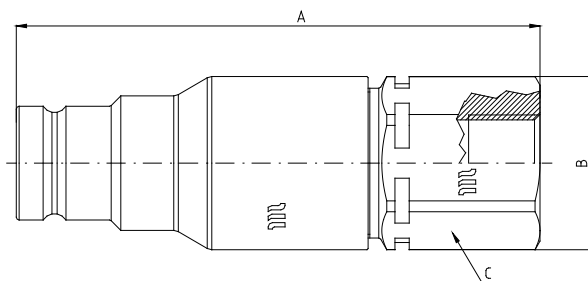
Q04011341A

NPTF TERMINATION END

TO ANSI B 1.20.3

SIZE			PART NUMBER	THREAD	DIMENSIONS mm					
DN	inch	Size	Male coupling		A	B	C			
10	3/8"	-06	Q04011341A-06-06	3/8" NPTF	91.7	ø30	27			
			Q04011341A-06-08	1/2" NPTF	94	ø30	27			
12	1/2"	-08	Q04011341A-08-08	1/2" NPTF	98	ø38	34			
			Q04011341A-08-12	3/4" NPTF	100	ø38	34			
16	5/8"	-10	Q04011341A-10-12	3/4" NPTF	114.3	ø40	36			
19	3/4"	-12	Q04011341A-12-12	3/4" NPTF	118	ø45	41			
			Q04011341A-12-16	1" NPTF	122	ø45	41			
25	1"	-16	Q04011341A-16-20	1.1/4" NPTF	130	ø55	50			

SAE



Q04011301A

SAE TERMINATION ENDS

TO SAE J1926-1

SIZE			PART NUMBER	THREAD	DIMENSIONS mm					
DN	inch	Size	Male coupling		A	B	C			
10	3/8"	-06	Q04011301A-06-08	3/4" 16UNF	94.2	ø30	27			
12	1/2"	-08	Q04011301A-08-10	7/8" -14 UNF	100	ø38	34			
			Q04011301A-08-12	1.1/16"-12UN	103	ø38	34			
19	3/4"	-12	Q04011301A-12-16	1.5/16"-12UN	125	ø45	41			

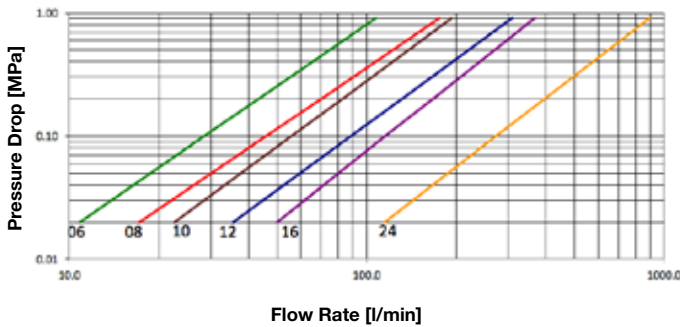
FLAT FACE SCREW TYPE



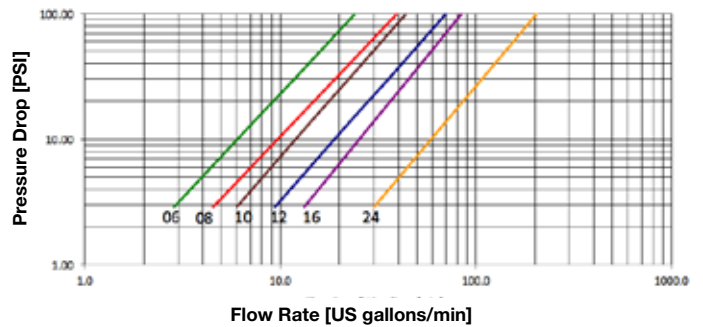
SIZE	WORKING PRESSURE - CONNECTED (Dynamic)	WORKING PRESSURE - DISCONNECTED (Dynamic)	RATED FLOW at 0.2 MPa of pressure drop	TIGHTENING TORQUE	OIL SPILLAGE Connection/ Disconnection	MINIMUM BURST PRESSURE	CONNECTION/ DISCONNECTION UNDER PRESSURE

mm	inch	dash	MPa		PSI		l/ min	US GPM	Nm	cc.	cubic inch	Male		Female		M & F		
			MPa	PSI	MPa	PSI						MPa	PSI	MPa	PSI			
10	3/8	06	35	5075	35	5075	43	11.4	60	0.007	0.0004	160	23200	140	20300	170	24650	Allowed
12.5	1/2	08	35	5075	35	5075	70	18.5	100	0.008	0.0005	170	24650	150	21750	150	21750	Allowed
16	5/8	10	35	5075	35	5075	85	22.5	100	0.008	0.0005	200	29000	160	23200	160	23200	Allowed
19	3/4	12	35	5075	35	5075	135	35.7	150	0.009	0.0005	145	21025	145	21025	160	23200	Allowed
25	1	16	35	5075	35	5075	170	44.9	200	0.02	0.0012	145	21025	145	21025	160	23200	Allowed
38	1 1/2	24	32	4640	32	4640	396	104.6	400	0.05	0.0031	130	18850	130	18850	130	18850	Allowed

Pressure Drop



Pressure Drop



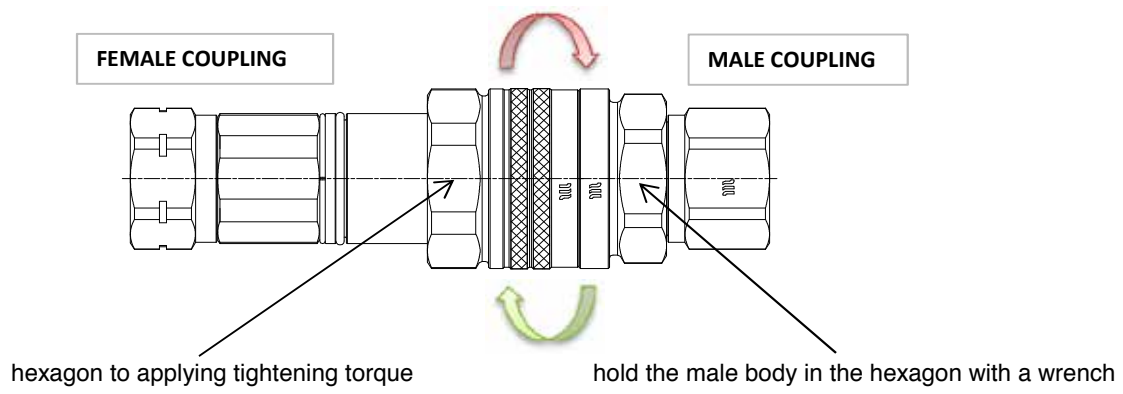
Product description:

- Screw coupling with quick connection system
- Working pressure 35MPa
- Triple valve system that guarantees connection under pressure safely
- Interchangeable according to Manuli Q.Safe specifications
- Sealing system with flat valve
- Polyurethane seals
- Compact design
- Wide range of termination ends

Material	Couplings in steel with some stressed area hardened, carbonitrided valve, springs in C98 steel, seals in polyurethane and NBR, back-up ring PTFE
Working Temperature	-22°F up to +230°F (-30°C up to +110°C)
Safety Factor	4:1 for dynamic pressures
Impulse Pressures	100,000 cycles at 133% of the rated one (freq. 1Hz) in disconnected conditions. 1,000,000 cycles at 133% of the rated one (freq. 1Hz) in connected conditions
Test Specifications	ISO 7241-2 and ISO 16028:1997aMD.1.2006 (E)

ASSEMBLY INSTRUCTIONS

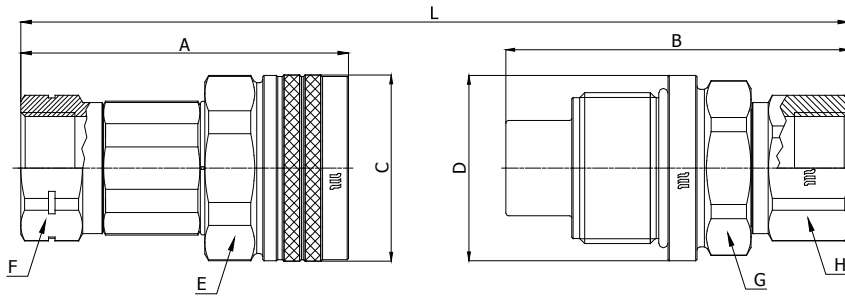
RECOMMENDED TIGHTENING TORQUE



SIZE			TIGHTENING TORQUE (male/female)
DN	inch	Size	Nm
16	5/8"	-10	90
19	3/4"	-12	120
25	1"	-16	200
38	1-1/2"	-24	400

FLAT FACE SCREW TYPE - TERMINATION ENDS

BSP



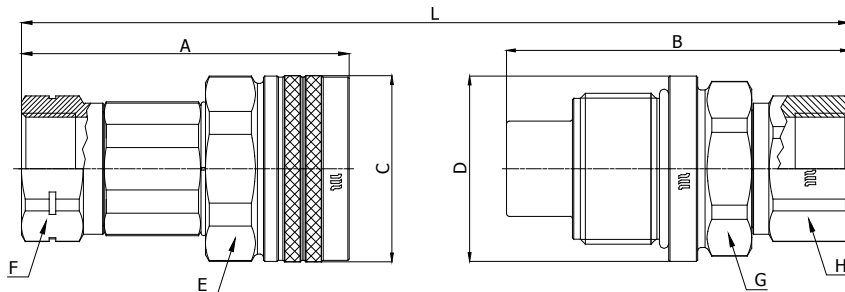
Q06711041

Q06611041

**BSP TERMINATION ENDS
TO DIN 3852 X TYPE**

SIZE			PART NUMBER		THREAD	DIMENSIONS mm								
DN	inch	Size	Female coupling	Male coupling		A	B	C	D	E	F	G	H	L
16	5/8"	-10	Q06711041A-10-12	Q06611041A-10-12	3/4"	96.5	Ø55,3	114.3	Ø55	50	36	46	36	A+B-18,9
19	3/4"	-12	Q06711041A-12-12	Q06611041A-12-12	3/4"	109,9	Ø60,3	118.7	Ø60	55	41	50	41	A+B-23,5
			Q06711041A-12-16	Q06611041A-12-16	1"	112.9	Ø60,3	122.1	Ø60	55	41	50	41	A+B-23,5
25	1"	-16	Q06711041A-16-16	Q06611041A-16-16	1"	121.3	Ø70,3	126.3	Ø70	65	50	60	50	A+B-24,5
			Q06711041A-16-20	Q06611041A-16-20	1.1/4"	124.3	Ø70,3	130	Ø70	65	50	60	50	A+B-24,5
38	1½"	-24	Q06711041A-24-24	Q06611041A-24-24	1.½"	167,6	Ø97,3	166	Ø97	90	75	85	75	A+B-31

NPT



Q06711341

Q06611341

**NPTF TERMINATION END
TO ANSI B 1.20.3**

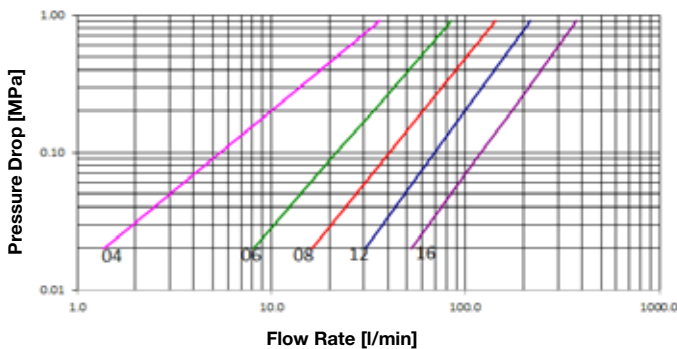
SIZE			PART NUMBER		THREAD	DIMENSIONS mm								
DN	inch	Size	Female coupling	Male coupling		A	B	C	D	E	F	G	H	L
16	5/8"	-10	Q06711341A-10-12	Q06611341A-10-12	3/4" NPTF	96.5	Ø55,3	114.3	Ø55	50	36	46	36	A+B-18,9
19	3/4"	-12	Q06711341A-12-16	Q06611341A-12-16	1" NPTF	112.9	Ø60,3	122.1	Ø60	55	41	50	41	A+B-23,5
25	1"	-16	Q06711341A-16-20	Q06611341A-16-20	1.1/4" NPTF	124.3	Ø70,3	130	Ø70	65	50	60	50	A+B-24,5
38	1½"	-24	Q06711341A-24-24	Q06611341A-24-24	1.1/2" NPTF	167,6	Ø97,3	166	Ø97	90	75	85	75	A+B-31



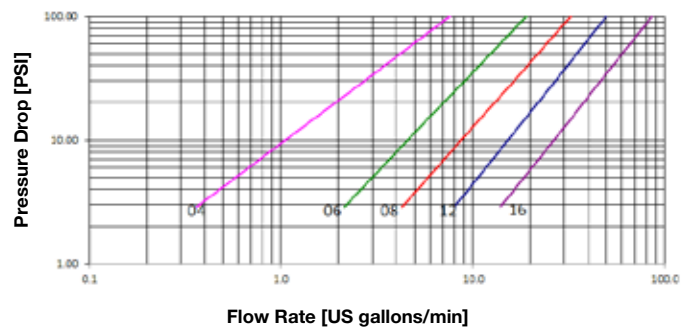
SIZE	WORKING PRESSURE (Dynamic)	RATED FLOW at 0.2 MPa of pressure drop	OIL SPILLAGE Connection/ Disconnection	MINIMUM BURST PRESSURE	CONNECTION/ DISCONNECTION UNDER PRESSURE

mm	inch	dash	MPa	PSI	l/min	US GPM	cc.	cubic inch	Male		Female		M & F		
									MPa	PSI	MPa	PSI	MPa	PSI	
6.3	¼	04	35	5075	10	2.6	0.8	0.049	145	21025	190	27500	190	27550	Allowed max. 10 MPa
10	⅜	06	35	5075	34	9.0	1.5	0.092	150	21750	160	23200	150	21750	Allowed max. 10 MPa
12.5	½	08	30	4350	61	16.1	2	0.122	130	18850	140	20300	140	20300	Allowed max. 10 MPa
20	¾	12	30	4350	100	26.4	5	0.305	130	18850	130	18850	140	20300	Allowed max. 10 MPa
25	1	16	25	3625	173	45.7	9	0.549	110	15950	110	15950	110	15950	Allowed max. 10 MPa

Pressure Drop



Pressure Drop

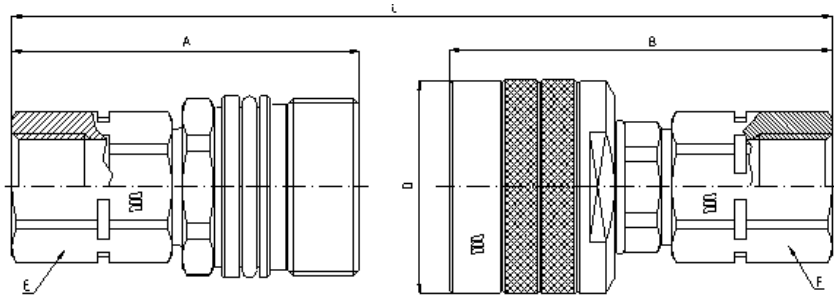


Product description:

- Screw-type couplings specially designed for heavy duty, high pressure, pressure impulse applications such as hammers, attachments, rock crushers, etc.
- Connection and disconnection is made by screwing the sleeve, also possible with residual pressure in the line
- Connection secured on the thread between the sleeve and the female coupling
- Shut-off by poppet valve
- Hexagon around the male insert to be tightened up or released for maintenance
- Interchangeable with similar products available on the market

Material	Female coupling in steel, male couplings high standard carbon steel. Carbonitrided valve, springs in C98 steel, seals in NBR (other materials available on request) and back-up ring in PTFE
Working Temperature	-22°F up to +230°F (-30°C up to +110°C)
Safety Factor	4:1 for dynamic pressures
Impulse Pressures	100,000 cycles at 133% of the rated one (freq. 1Hz)
Test Specifications	ISO 7241-2

BSP

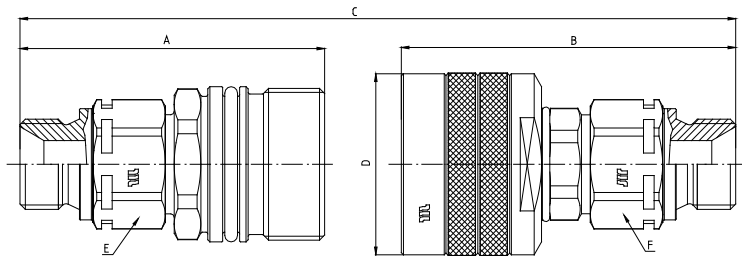


Q05211041A

Q05111041A

**BSP TERMINATION ENDS
TO DIN 3852 X TYPE**

SIZE			PART NUMBER		THREAD	DIMENSIONS mm							
DN	inch	Size	Female coupling	Male coupling		A	B	C	D	E	F		
6.3	1/4"	-04	Q05211041A-04-04	Q05111041A-04-04	1/4"	61.5	65.5	A+B-24,5	ø30	19	19		
10	3/8"	-06	Q05211041A-06-04	Q05111041A-06-04	1/4"	68	74	A+B-26,5	ø34	22	22		
			Q05211041A-06-06	Q05111041A-06-06	3/8"	69.5	75.5	A+B-26,5	ø34	22	22		
12.5	1/2"	-08	Q05211041A-08-06	Q05111041A-08-06	3/8"	66.5	74.5	A+B-26,5	ø42	27	27		
			Q05211041A-08-08	Q05111041A-08-08	1/2"	69.5	77.5	A+B-26,5	ø42	27	27		
20	3/4"	-12	Q05211041A-12-08	Q05111041A-12-08	1/2"	80.8	89.3	A+B-31	ø49	34	34		
			Q05211041A-12-12	Q05111041A-12-12	3/4"	82.8	91.3	A+B-31	ø49	34	34		
25	1"	-16	Q05211041A-16-08	Q05111041A-16-08	1/2"	92.3	99.3	A+B-34,5	ø56	41	41		
			Q05211041A-16-12	Q05111041A-16-12	3/4"	92.3	99.3	A+B-34,5	ø56	41	41		
			Q05211041A-16-16	Q05111041A-16-16	1"	95.3	102.3	A+B-34,5	ø56	41	41		



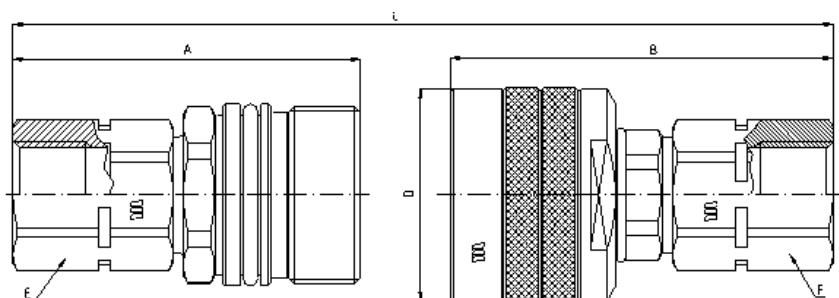
Q05211050A

Q05111050A

**BSP TERMINATION ENDS
TO ISO 8434-6**

SIZE			PART NUMBER		THREAD	DIMENSIONS mm							
DN	inch	Size	Female coupling	Male coupling		A	B	C	D	E	F		
12.5	1/2"	-08	Q05211050A-08-06	Q05111050A-08-06	3/8"	69.2	77.2	A+B-26,5	ø42	27	27		
			Q05211050A-08-08	Q05111050A-08-08	1/2"	71.7	79.7	A+B-26,5	ø42	27	27		

METRIC



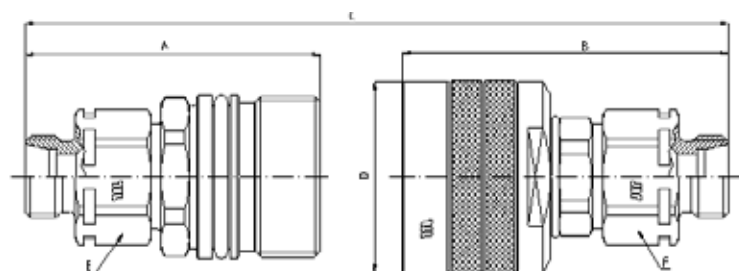
Q05211141A

Q05111141A

METRIC TERMINATION ENDS

TO ISO 3852-1 X TYPE

SIZE			PART NUMBER		THREAD	DIMENSIONS mm							
DN	inch	Size	Female coupling	Male coupling		A	B	C	D	E	F		
10	3/8"	-06	Q05211141A-06-16	Q05111141A-06-16	M16x1,5	69.5	75.5	A+B-26,5	ø34	22	22		
12.5	1/2"	-08	Q05211141A-08-18	Q05111141A-08-18	M18x1,5	66.5	74.5	A+B-26,5	ø42	27	27		
			Q05211141A-08-22	Q05111141A-08-22	M22x1,5	68.5	76.5	A+B-26,5	ø42	27	27		



Q05211110A

Q05111110A

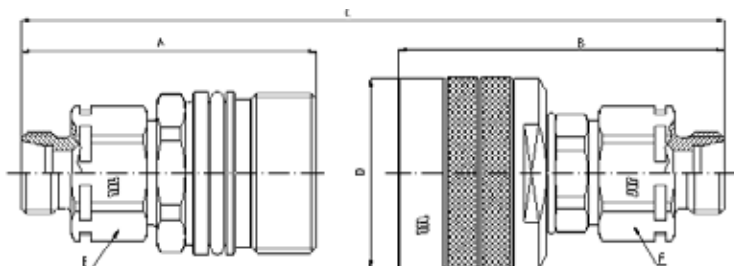
METRIC TERMINATION END

TO ISO 8434-1

L SERIES

SIZE			PART NUMBER		THREAD	DIMENSIONS mm							
DN	inch	Size	Female coupling	Male coupling		A	B	C	D	E	F		
6.3	1/4"	-04	Q05211110A-04-12	Q05111110A-04-12	M12x1,5	59.5	63.5	A+B-24,5	ø30	19	19		
			Q05211110A-04-14	Q05111110A-04-14	M14x1,5	59.5	63.5	A+B-24,5	ø30	19	19		
10	3/8"	-06	Q05211110A-06-12	Q05211110A-06-12	M12x1,5	66	72	A+B-26,5	ø34	22	22		
			Q05211110A-06-14	Q05211110A-06-14	M14x1,5	66	72	A+B-26,5	ø34	22	22		
			Q05211110A-06-16	Q05211110A-06-16	M16x1,5	66	72	A+B-26,5	ø34	22	22		
			Q05211110A-06-18	Q05211110A-06-18	M18x1,5	66	72	A+B-26,5	ø34	22	22		
12.5	1/2"	-08	Q05211110A-08-14	Q05111110A-08-14	M14x1,5	65.5	73.5	A+B-26,5	ø42	27	27		
			Q05211110A-08-16	Q05111110A-08-16	M16x1,5	66.5	74.5	A+B-26,5	ø42	27	27		
			Q05211110A-08-18	Q05111110A-08-18	M18x1,5	65.5	73.5	A+B-26,5	ø42	27	27		
			Q05211110A-08-22	Q05111110A-08-22	M22x1,5	66.5	74.5	A+B-26,5	ø42	27	27		
20	3/4"	-12	Q05211110A-08-26	Q05111110A-08-26	M26x1,5	66.5	74.5	A+B-26,5	ø42	27	27		
			Q05211110A-12-18	Q05111110A-12-18	M18x1,5	80,8	89,3	A+B-31	ø49	34	34		
			Q05211110A-12-22	Q05111110A-12-22	M22x1,5	80,8	89,3	A+B-31	ø49	34	34		
			Q05211110A-12-26	Q05111110A-12-26	M26x1,5	80,8	89,3	A+B-31	ø49	34	34		
25	1"	-16	Q05211110A-12-30	Q05111110A-12-30	M30x2	82,8	91,3	A+B-31	ø49	34	34		
			Q05211110A-16-26	Q05111110A-16-26	M26x1,5	90,3	97,3	A+B-34,5	ø56	41	41		
			Q05211110A-16-30	Q05111110A-16-30	M30x2	92,3	99,3	A+B-34,5	ø56	41	41		
			Q05211110A-16-36	Q05111110A-16-36	M36x2	92,3	99,3	A+B-34,5	ø56	41	41		

METRIC



Q05211120A

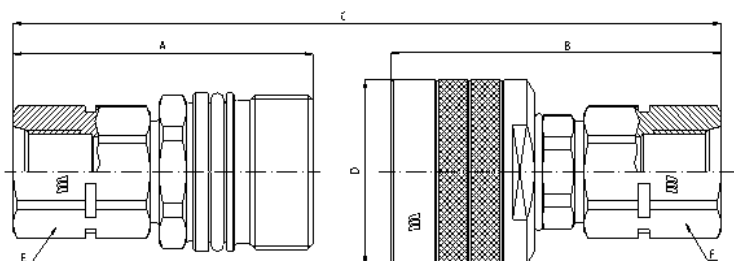
Q05111120A

METRIC TERMINATION END

TO ISO 8434-1

S SERIES

SIZE			PART NUMBER		THREAD	DIMENSIONS mm							
DN	inch	Size	Female coupling	Male coupling		A	B	C	D	E	F		
6.3	1/4"	-04	Q05211120A-04-16	Q05111120A-04-16	M16x1,5	61.5	65.5	A+B-24,5	ø30	19	19		
10	3/8"	-06	Q05211120A-06-16	Q05111120A-06-16	M16x1,5	67	73	A+B-26,5	ø34	22	22		
			Q05211120A-06-18	Q05111120A-06-18	M18x1,5	67	73	A+B-26,5	ø34	22	22		
12.5	1/2"	-08	Q05211120A-08-18	Q05111120A-08-18	M18x1,5	66.5	74.5	A+B-26,5	ø42	27	27		
			Q05211120A-08-20	Q05111120A-08-20	M20x1,5	66.5	74.5	A+B-26,5	ø42	27	27		
			Q05211120A-08-24	Q05111120A-08-24	M24x1,5	68.5	76.5	A+B-26,5	ø42	27	27		
20	3/4"	-12	Q05211120A-12-20	Q05111120A-12-20	M20x1,5	80.8	89.3	A+B-31	ø49	34	34		
			Q05211120A-12-24	Q05111120A-12-24	M24x1,5	82.8	91.3	A+B-31	ø49	34	34		
			Q05211120A-12-30	Q05111120A-12-30	M30x2	84.8	93.3	A+B-31	ø49	34	34		
25	1"	-16	Q05211120A-16-30	Q05111120A-16-30	M30x2	94,3	101.3	A+B-34,5	ø56	41	41		
			Q05211120A-16-36	Q05111120A-16-36	M36x2	96,3	103.3	A+B-34,5	ø56	41	41		
			Q05211120A-16-42	Q05111120A-16-42	M42x2	98,3	105.3	A+B-34,5	ø56	41	41		



Q05211191A

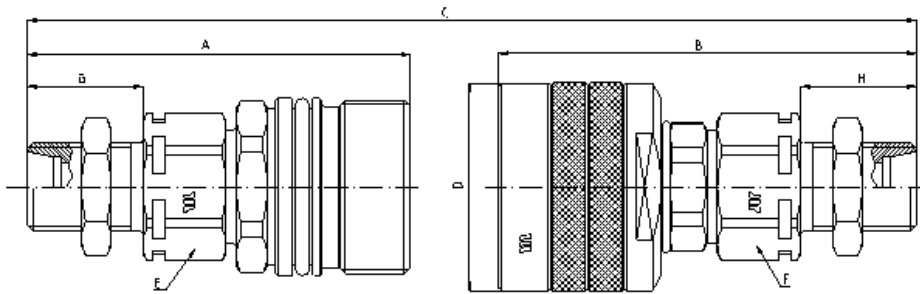
Q05111191A

METRIC TERMINATION ENDS

TO ISO 6149-1

SIZE			PART NUMBER		THREAD	DIMENSIONS mm							
DN	inch	Size	Female coupling	Male coupling		A	B	C	D	E	F		
12.5	1/2"	-08	Q05211191A-08-16	Q05111191A-08-16	M16x1,5	67	75	A+B-26,5	ø42	27	27		
			Q05211191A-08-18	Q05111191A-08-18	M18x1,5	68.5	76.5	A+B-26,5	ø42	27	27		

METRIC



Q05211770B

Q05111770B

METRIC TERMINATION END

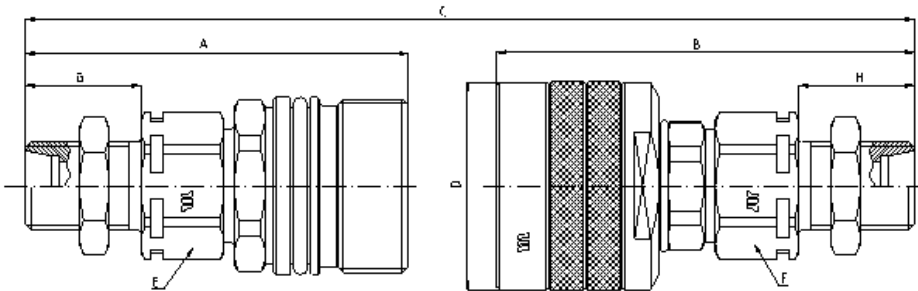
TO ISO 8434-1

BULKHEAD L SERIES

SIZE			PART NUMBER		THREAD	DIMENSIONS mm							
DN	inch	Size	Female coupling	Male coupling		A	B	C	D	E	F	G	H
6.3	1/4"	-04	Q05211770B-04-14	Q05111770B-04-14	M14x1,5	74.5	78.5	A+B-24,5	ø30	19	19	25	25
10	3/8"	-06	Q05211770B-06-12	Q05111770B-06-12	M12x1,5	81	87	A+B-26,5	ø34	22	22	25	25
			Q05211770B-06-14	Q05111770B-06-14	M14x1,5	80	86	A+B-26,5	ø34	22	22	25	25
			Q05211770B-06-16	Q05111770B-06-16	M16x1,5	80	86	A+B-26,5	ø34	22	22	26	26
			Q05211770B-06-18	Q05111770B-06-18	M18x1,5	80	86	A+B-26,5	ø34	22	22	26	26
12.5	1/2"	-08	Q05211770B-08-14	Q05111770B-08-14	M14x1,5	80.5	88.5	A+B-26,5	ø42	27	27	25	25
			Q05211770B-08-16	Q05111770B-08-16	M16x1,5	80.5	88.5	A+B-26,5	ø42	27	27	26	26
			Q05211770B-08-18	Q05111770B-08-18	M18x1,5	80.5	88.5	A+B-26,5	ø42	27	27	26	26
			Q05211770B-08-22	Q05111770B-08-22	M22x1,5	81.5	89.5	A+B-26,5	ø42	27	27	27	27
20	3/4"	-12	Q05211770B-12-18	Q05111770B-12-18	M18x1,5	94.8	103.3	A+B-31	ø49	34	34	26	26
			Q05211770B-12-22	Q05111770B-12-22	M22x1,5	95.8	104.3	A+B-31	ø49	34	34	27	27
			Q05211770B-12-26	Q05111770B-12-26	M26x1,5	96.8	105.3	A+B-31	ø49	34	34	29	29
			Q05211770B-12-30	Q05111770B-12-30	M30x2	100.8	109.3	A+B-31	ø49	34	34	32	32
25	1"	-16	Q05211770B-16-26	Q05111770B-16-26	M26x1,5	106.3	113.3	A+B-34,5	ø56	41	41	29	29
			Q05211770B-16-30	Q05111770B-16-30	M30x2	110.3	117.3	A+B-34,5	ø56	41	41	32	32
			Q05211770B-16-36	Q05111770B-16-36	M36x2	110.3	117.3	A+B-34,5	ø56	41	41	32	32

SCREW - TERMINATION ENDS

METRIC



Q05211870B

Q05111870B

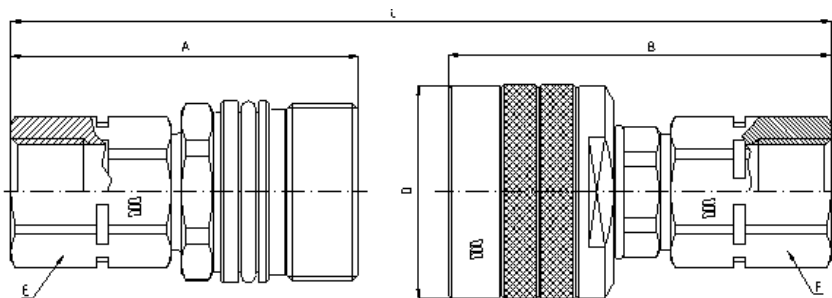
METRIC TERMINATION END

TO ISO 8434-1

BULKHEAD S SERIES

SIZE			PART NUMBER		THREAD	DIMENSIONS mm							
DN	inch	Size	Female coupling	Male coupling		A	B	C	D	E	F	G	H
10	3/8"	-06	Q05211870B-06-16	Q05111870B-06-16	M16x1,5	81	87	A+B-26,5	ø34	22	22	27	27
			Q05211870B-06-18	Q05111870B-06-18	M18x1,5	81	87	A+B-26,5	ø34	22	22	27	27
12.5	1/2"	-08	Q05211870B-08-18	Q05111870B-08-18	M18x1,5	81.5	89.5	A+B-26,5	ø42	27	27	27	27
			Q05211870B-08-20	Q05111870B-08-20	M20x1,5	81.5	89.5	A+B-26,5	ø42	27	27	27	27
			Q05211870B-08-24	Q05111870B-08-24	M24x1,5	83.5	91.5	A+B-26,5	ø42	27	27	29	29
20	3/4"	-12	Q05211870B-12-24	Q05111870B-12-24	M24x1,5	97.8	106.3	A+B-31	ø49	34	34	29	29
			Q05211870B-12-30	Q05111870B-12-30	M30x2	102.8	111.3	A+B-31	ø49	34	34	34	34
25	1"	-16	Q05211870B-16-30	Q05111870B-16-30	M30x2	112.3	119.3	A+B-34,5	ø56	41	41	34	34
			Q05211870B-16-36	Q05111870B-16-36	M36x2	114.3	121.3	A+B-34,5	ø56	41	41	36	36
			Q05211870B-16-42	Q05111870B-16-42	M42x2	116.3	123.3	A+B-34,5	ø56	41	41	40	40

NPT



Q05211341A

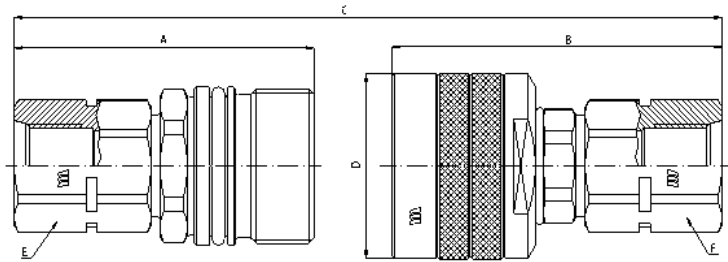
Q05111341A

NPTF TERMINATION END

TO ANSI B 1.20.3

SIZE			PART NUMBER		THREAD	DIMENSIONS mm							
DN	inch	Size	Female coupling	Male coupling		A	B	C	D	E	F		
6.3	1/4"	-04	Q05211341A-04-04	Q05111341A-04-04	1/4" NPTF	61.5	65.5	A+B-24,5	ø30	19	19		
10	3/8"	-06	Q05211341A-06-06	Q05111341A-06-06	3/8" NPTF	69.5	75.5	A+B-26,5	ø34	22	22		
12.5	1/2"	-08	Q05211341A-08-08	Q05111341A-08-08	1/2" NPTF	69.5	77.5	A+B-26,5	ø42	27	27		
20	3/4"	-12	Q05211341A-12-12	Q05111341A-12-12	3/4" NPTF	82,8	91.3	A+B-31	ø49	34	34		
25	1"	-16	Q05211341A-16-16	Q05111341A-16-16	1" NPTF	95.3	102.3	A+B-34,5	ø56	41	41		

SAE



Q05211301A

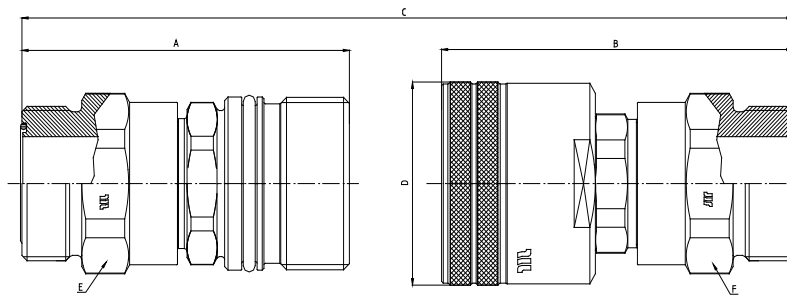
Q05111301A

SAE TERMINATION END

TO SAE J1926-1

SIZE			PART NUMBER		THREAD	DIMENSIONS mm							
DN	inch	Size	Female coupling	Male coupling		A	B	C	D	E	F		
10	3/8"	-06	Q05211301A-06-06	Q05111301A-06-06	9/16"-18UNF	69.5	75.5	A+B-26,5	ø34	22	22		
12.5	1/2"	-08	Q05211301A-08-08	Q05111301A-08-08	3/4"-16 UNF	69	77	A+B-26,5	ø42	27	27		
			Q05211301A-08-10	Q05111301A-08-10	7/8"-14 UNF	71.5	79.5	A+B-26,5	ø42	27	27		

ORFS



Q05211240A

Q05111240A

ORFS TERMINATION ENDS

TO ISO 8434-3

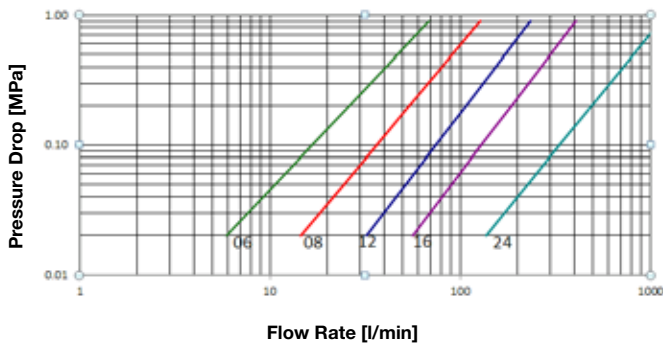
SIZE			PART NUMBER		THREAD	DIMENSIONS mm							
DN	inch	Size	Female coupling	Male coupling		A	B	C	D	E	F		
25	1"	-16	Q05211240A-16-16	Q05111240A-16-16	1.7/16"-12 UN	98.3	102.8	A+B-34,5	ø56	46	46		
25	1"	-16	Q05211240A-16-20	Q05111240A-16-20	1.11/16"-12UN	95.8	102.8	A+B-34,5	ø56	46	46		



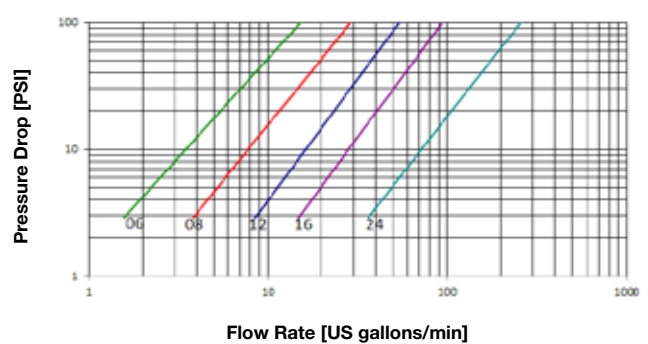
SIZE	WORKING PRESSURE (Dynamic)	RATED FLOW at 0.2 MPa of pressure drop	OIL SPILLAGE Connection/ Disconnection	MINIMUM BURST PRESSURE	CONNECTION/ DISCONNECTION UNDER PRESSURE

mm	inch	dash	MPa	PSI	l/min	US GPM	cc.	cubic inch	Male		Female		M & F		
									MPa	PSI	MPa	PSI	MPa	PSI	
10	3/8	06	35	5075	26	6.9	1.5	0.092	150	21750	160	23200	180	26100	Allowed
12.5	1/2	08	30	4350	54	14.3	2	0.122	130	18850	140	20300	140	20300	Allowed
20	3/4	12	30	4350	107	28.3	5	0.305	130	17750	130	18850	140	20300	Allowed
25	1	16	25	3625	186	49.1	9	0.549	110	15950	110	15950	110	15950	Allowed
38	1 1/2	24	30	4350	492	130.0	25	1.526	130	18850	125	18125	130	18850	Allowed

Pressure Drop



Pressure Drop



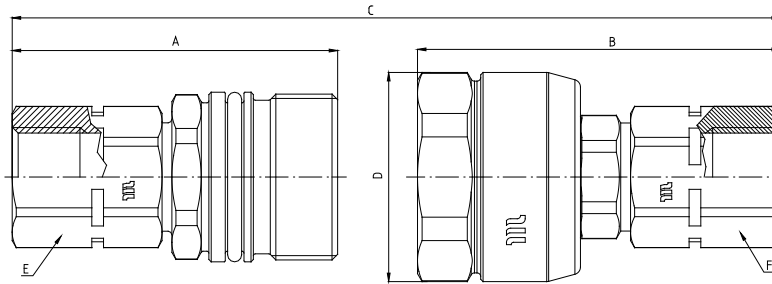
Product description:

- Screw-type couplings specially designed for heavy duty applications such as hammers, attachments, rock crushers, etc.
- Thanks to strengthened internal components this series is highly resistant against backflow, flow impulses and peaks, pressure impulses, vibration and hose bending
- Connection and disconnection is made by screwing the sleeve, also possible with rated pressure in the line
- Connection secured on the thread between the sleeve and the male coupling
- Shut-off by poppet valve
- Hexagonal profile of external sleeve for an easy connection and disconnection in high pressure conditions
- Interchangeable with MQS-SG series and similar products available on the market

Material	Female and male coupling in high standard steel. Carbonitrided valve, springs in C98 steel, seals in NBR (other materials available on request) and back-up ring in PTFE
Working Temperature	-22°F up to +230°F (-30°C up to +110°C) Specific seals available in case of higher temperatures
Safety Factor	4:1 for dynamic pressures
Impulse Pressures	200,000 cycles at 133% of the rated one (freq. 1Hz)
Test Specifications	ISO 7241-2

SCREW HEAVY DUTY - TERMINATION ENDS

BSP



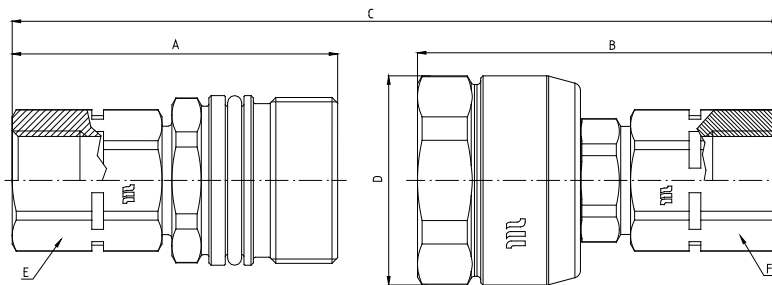
Q06211041A

Q06111041A

BSP TERMINATION ENDS

TO DIN 3852 X TYPE

SIZE			PART NUMBER		THREAD	DIMENSIONS mm							
DN	inch	Size	Female coupling	Male coupling		A	B	C	D	E	F		
10	3/8"	-06	Q06211041A-06-04	Q06111041A-06-04	1/4"	68	74	A+B-26,5	ø34,7	22	22		
			Q06211041A-06-06	Q06111041A-06-06	3/8"	69.5	75.5	A+B-26,5	ø34,7	22	22		
12.5	1/2"	-08	Q06211041A-08-06	Q06111041A-08-06	3/8"	66.5	74.5	A+B-26,5	ø44,4	27	27		
			Q06211041A-08-08	Q06111041A-08-08	1/2"	69.5	77.5	A+B-26,5	ø44,4	27	27		
20	3/4"	-12	Q06211041A-12-08	Q06111041A-12-08	1/2"	80.8	89.3	A+B-31	ø54,2	34	34		
			Q06211041A-12-12	Q06111041A-12-12	3/4"	82.8	91.3	A+B-31	ø54,2	34	34		
25	1"	-16	Q06211041A-16-12	Q06111041A-16-12	3/4"	92.3	99.3	A+B-34,5	ø59,6	41	41		
			Q06211041A-16-16	Q06111041A-16-16	1"	95.3	102.3	A+B-34,5	ø59,6	41	41		
38	1-1/2"	-24	Q06211041A-24-20	Q06111041A-24-20	1.1/4"	124.5	137.3	A+B-47,5	ø86,6	60	60		
			Q06211041A-24-24	Q06111041A-24-24	1.1/2"	127.5	140.3	A+B-47,5	ø86,6	60	60		



Q06213041A

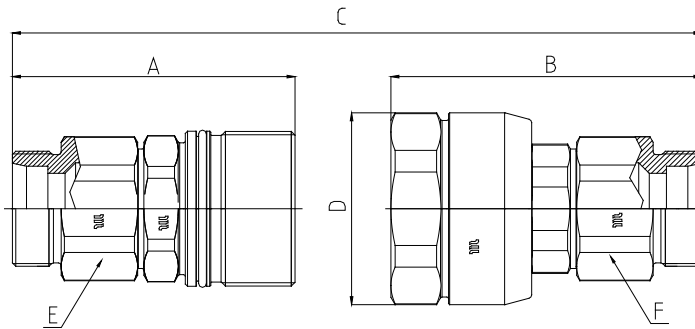
Q06113041A

BSP TERMINATION ENDS

TO DIN 3852 X TYPE

SIZE			PART NUMBER		THREAD	DIMENSIONS mm							
DN	inch	Size	Female coupling	Male coupling		A	B	C	D	E	F		
12.5	1/2"	-08	Q06213041A-08-08	Q06113041A-08-08	1/2"	69.5	77.5	A+B-26,5	ø44,4	27	27		
20	3/4"	-12	Q06213041A-12-12	Q06113041A-12-12	3/4"	82.8	91.3	A+B-31	ø54,2	34	34		
25	1"	-16	Q06213041A-16-16	Q06113041A-16-16	1"	95.3	102.3	A+B-34,5	ø59,6	41	41		

METRIC



Q0621120A

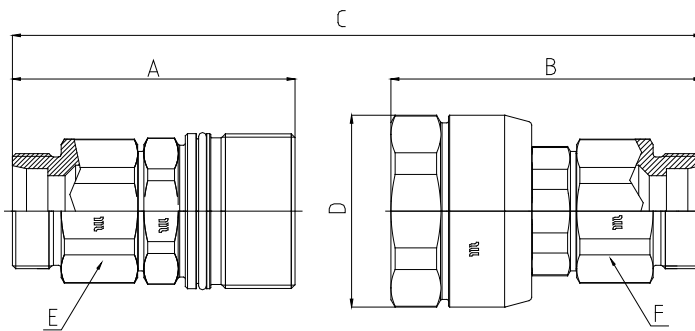
Q0611120A

METRIC TERMINATION ENDS

TO ISO 8434-1 S SERIES

SIZE			PART NUMBER		THREAD	DIMENSIONS mm							
DN	inch	Size	Female coupling	Male coupling		A	B	C	D	E	F		
38	1-1/2"	-24	Q06211120A-24-52	Q06111120A-24-52	M52x2	127.6	140	A+B-47,3	ø86,6	60	60		

ORFS



Q06211240A

Q06111240A

ORFS TERMINATION ENDS

TO ISO 8434-3

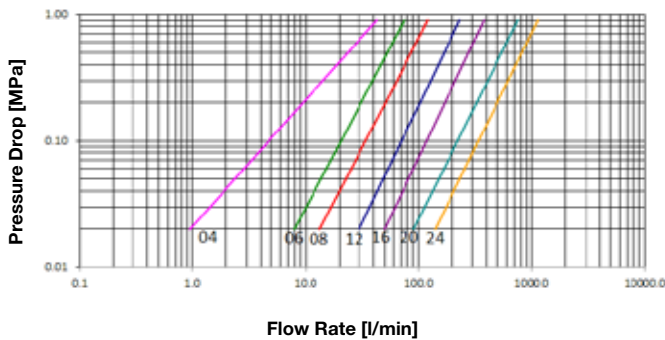
SIZE			PART NUMBER		THREAD	DIMENSIONS mm							
DN	inch	Size	Female coupling	Male coupling		A	B	C	D	E	F		
25	1"	-16	Q06211240A-16-16	Q06111240A-16-16	1.7/16"-12 UN	98.3	102.8	A+B-34,5	ø59,6	46	46		



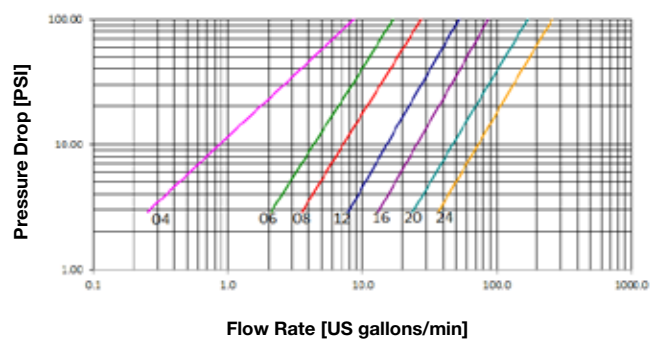
SIZE	WORKING PRESSURE (Dynamic)	RATED FLOW at 0.2 MPa of pressure drop	OIL SPILLAGE Connection/ Disconnection	MINIMUM BURST PRESSURE	CONNECTION/ DISCONNECTION UNDER PRESSURE

mm	inch	dash	MPa	PSI	l/min	US GPM	cc.	cubic inch	Male		Female		M & F		
									MPa	PSI	MPa	PSI	MPa	PSI	
6	¼	04	70	10150	10	2.6	0.4	0.024	290	42050	350	50750	300	43500	Allowed up to 30 MPa
10	¾	06	60	8700	31	8.2	1.5	0.092	250	36250	330	47850	320	46400	Allowed up to 30 MPa
12.5	½	08	50	7250	51	13.5	2.2	0.134	200	29000	260	37700	310	44950	Allowed up to 30 MPa
20	¾	12	50	7250	102	26.9	4	0.244	200	29000	250	36250	310	44950	Allowed up to 30 MPa
25	1	16	50	7250	170	44.9	7.5	0.458	200	29000	230	33350	270	39150	Allowed up to 30 MPa
31	1¼	20	40	5800	325	85.9	15	0.916	160	23200	170	24650	230	33350	Allowed up to 15 MPa
38	1½	24	32	4640	494	130.5	23	1.404	130	18850	140	20300	150	21750	Allowed up to 15 MPa

Pressure Drop



Pressure Drop



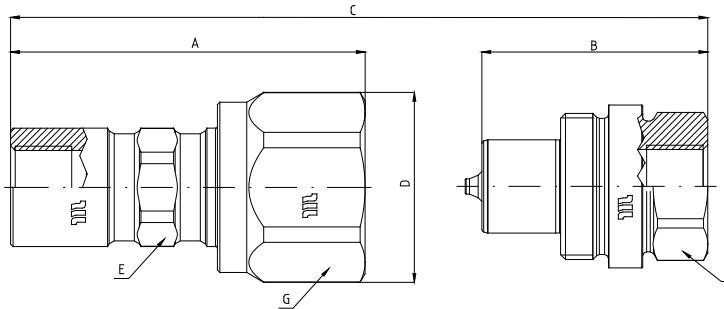
Product description:

- Screw-on connection/disconnection system
- Sleeve with hexagon area internal components reinforced, made in steel
- Hardened valve bodies
- Three-part poppet valve with a moulded shaped seal
- Mechanical backstop to prevent partial enclosures of valves due to peaks and reverse flow
- Interchangeable with other products and widely used on the market
- Accessories (plugs and caps) and spare part kits available
- Wide range of termination ends

Material	Couplings in steel with some stressed area hardened. Carbonitrided valve, springs in C98 steel, seals in NBR and back-up ring in PTFE
Working Temperature	-22°F up to +230°F (-30°C up to +110°C)
Safety Factor	4:1 for dynamic pressures
Impulse Pressures	500,000 cycles (connected and disconnected conditions) at 120% of the rated one (freq. 1Hz)
Test Specifications	ISO 7241-2

SCREW HEAVY DUTY - TERMINATION ENDS

BSP



Q05411041A

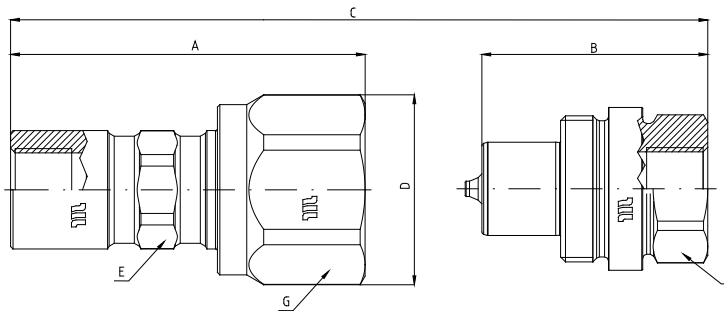
Q05311041A

BSP TERMINATION ENDS

TO DIN 3852 X TYPE

SIZE			PART NUMBER		THREAD	DIMENSIONS mm						
DN	inch	Size	Female coupling	Male coupling		A	B	C	D	E	F	G
6.3	1/4"	-04	Q05411041A-04-04	Q05311041A-04-04	1/4"	63	42.2	A+B-20,8	ø35	19	22	32
10	3/8"	-06	Q05411041A-06-06	Q05311041A-06-06	3/8"	72.5	46.2	A+B-25,9	ø38,5	22	27	35
12.5	1/2"	-08	Q05411041A-08-08	Q05311041A-08-08	1/2"	82.1	54.4	A+B-27,3	ø45	27	32	41
20	3/4"	-12	Q05411041A-12-12	Q05311041A-12-12	3/4"	93.7	61.4	A+B-31,9	ø55	35	41	50
25	1"	-16	Q05411041A-16-16	Q05311041A-16-16	1"	105.8	68.3	A+B-37	ø66	41	50	60
31.5	1.1/4"	-20	Q05411041A-20-20	Q05311041A-20-20	1.1/4"	131.9	82	A+B-53,9	ø88	55	70	80
38	1 1/2"	-24	Q05411041A-24-24	Q05311041A-24-24	1.1/2"	158.9	102	A+B-70,4	ø99	60	80	90

NPT



Q05411341A

Q05311341A

NPTF TERMINATION END

TO ANSI B 1.20.3

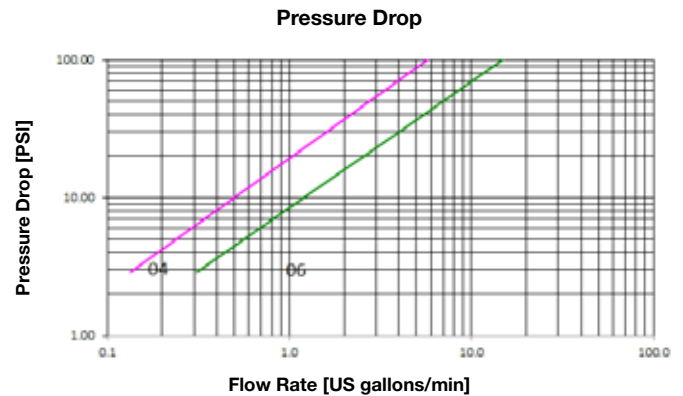
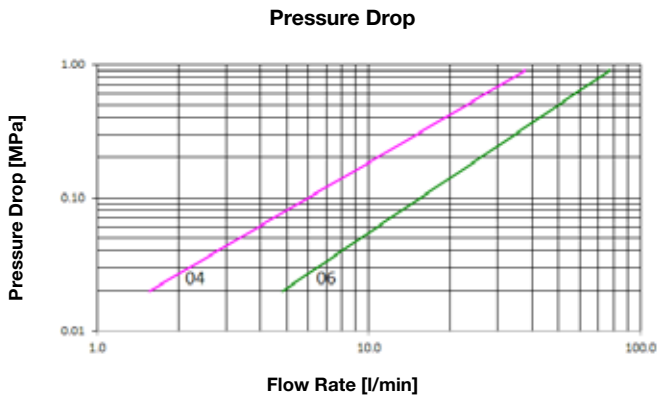
SIZE			PART NUMBER		THREAD	DIMENSIONS mm						
DN	inch	Size	Female coupling	Male coupling		A	B	C	D	E	F	G
6.3	1/4"	-04	Q05411341A-04-04	Q05311341A-04-04	1/4" NPTF	63	42.2	A+B-20,8	ø35	19	22	32
10	3/8"	-06	Q05411341A-06-06	Q05311341A-06-06	3/8" NPTF	72.5	46.2	A+B-25,9	ø38,5	22	27	35
12.5	1/2"	-08	Q05411341A-08-08	Q05311341A-08-08	1/2" NPTF	82.1	54.4	A+B-27,3	ø45	27	32	41
20	3/4"	-12	Q05411341A-12-12	Q05311341A-12-12	3/4" NPTF	93.7	61.4	A+B-31,9	ø55	35	41	50
25	1"	-16	Q05411341A-16-16	Q05311341A-16-16	1" NPTF	105.8	68.3	A+B-37	ø66	41	50	60
31.5	1.1/4"	-20	Q05411341A-20-20	Q05311341A-20-20	1.1/4" NPTF	131.9	82	A+B-53,9	ø88	55	70	80
38	1 1/2"	-24	Q05411341A-24-24	Q05311341A-24-24	1.1/2" NPTF	158.9	102	A+B-70,4	ø99	60	80	90



SCREW HYDRAULIC CYLINDERS (POPPET)

SIZE	WORKING PRESSURE (Dynamic)	RATED FLOW at 0.2 MPa of pressure drop	OIL SPILLAGE Connection/ Disconnection	MINIMUM BURST PRESSURE	CONNECTION/ DISCONNECTION UNDER PRESSURE

mm	inch	dash	MPa	PSI	l/min	US GPM	cc.	cubic inch	Male		Female		M & F		
									MPa	PSI	MPa	PSI	MPa	PSI	
6.3	1/4	04	70	10150	11	2.9	0.4	0.024	350	50750	310	44950	320	46400	Residual pressure
10	3/8	06	70	10150	26	7	0.6	0.037	280	40600	300	43500	280	40600	Residual pressure



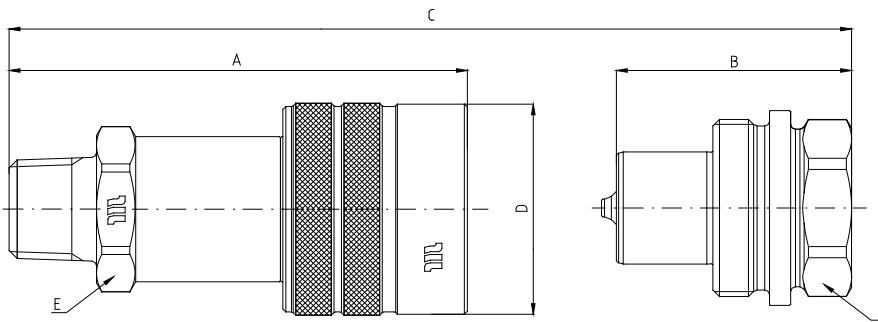
Product description:

- Screw-type couplings specially designed for very high pressure applications on cylinders and hydraulic rams
- Connection and disconnection is made by screwing the sleeve and can be made with residual pressure in the line
- Connection secured on the thread between the sleeve and the male coupling
- Shut-off by poppet valve provides effective hydraulic sealing
- Interchangeable with other products and widely used in the USA and Europe
- ISO 14540 compliant

Material	Female and male coupling in steel. Carbonitrided valve, springs in C98 steel, seals in NBR (other materials available on request) and back-up ring in PTFE
Working Temperature	-22°F up to +230°F (-30°C up to +110°C) Specific seals available in case of higher temperatures
Safety Factor	4:1 for dynamic pressures
Impulse Pressures	50,000 cycles at 133% of the rated one (freq. 1Hz)
Test Specifications	ISO 7241-2

SCREW HYDRAULIC CYLINDERS (POPPET) - TERMINATION ENDS

NPT

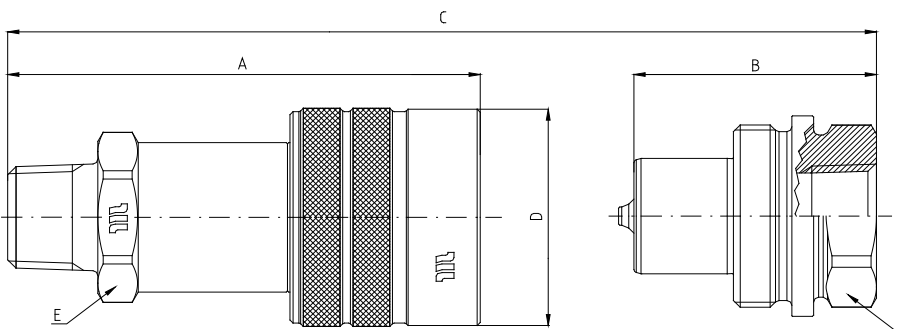


Q05611280B

NPT TERMINATION ENDS

TO ANSI B1.20.3

SIZE			PART NUMBER		THREAD	DIMENSIONS mm							
DN	inch	Size	Female coupling	Male coupling		A	B	C	D	E	F		
6.3	1/4"	-04	Q05611280B-04-04	-	1/4" NPTF	62.4	-	A+B-19	ø30	21	-		
10	3/8"	-06	Q05611280B-06-04	-	1/4" NPTF	76	-	A+B-25	ø35,6	25	-		
			Q05611280B-06-06	-	3/8" NPTF	76	-	A+B-25	ø35,6	25	-		



Q05511341B

NPT TERMINATION ENDS

TO ANSI B1.20.3

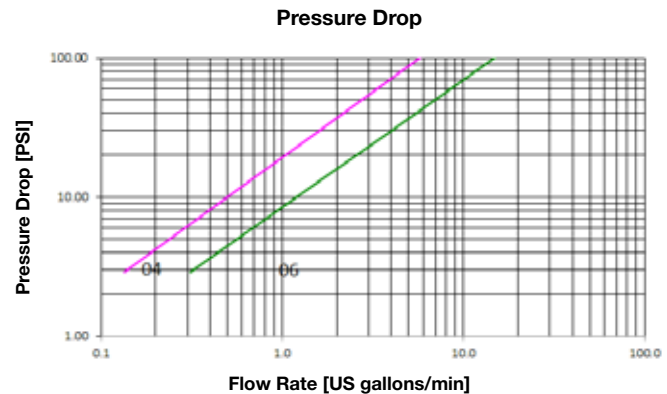
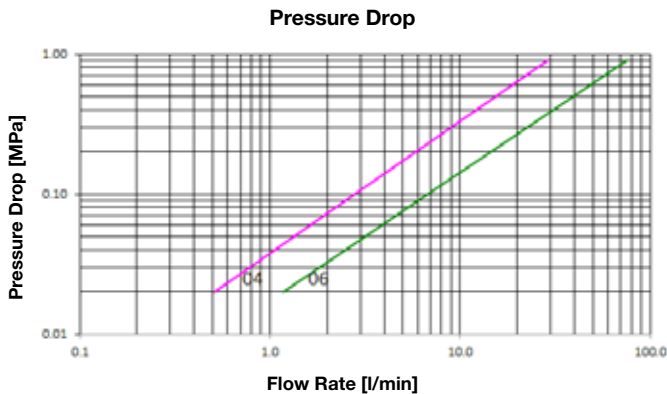
SIZE			PART NUMBER		THREAD	DIMENSIONS mm							
DN	inch	Size	Female coupling	Male coupling		A	B	C	D	E	F		
6.3	1/4"	-04	-	Q05511341B-04-04	1/4" NPTF	-	34	A+B-19	-	-	22		
10	3/8"	-06	-	Q05511341B-06-04	1/4" NPTF	-	39	A+B-25	-	-	27		
			-	Q05511341B-06-06	3/8" NPTF	-	39	A+B-25	-	-	27		



SCREW HYDRAULIC CYLINDERS (BALL) - TERMINATION ENDS

SIZE	WORKING PRESSURE (Dynamic)	RATED FLOW at 0.2 MPa of pressure drop	OIL SPILLAGE Connection/ Disconnection	MINIMUM BURST PRESSURE	CONNECTION/ DISCONNECTION UNDER PRESSURE

mm	inch	dash	MPa	PSI	l/min	US GPM	cc.	cubic inch	Male		Female		M & F		
									MPa	PSI	MPa	PSI	MPa	PSI	
6.3	1/4	04	70	10150	6	1.6	0.3	0.018	180	26100	170	24650	320	46400	Residual pressure
10	3/8	06	70	10150	15	4	0.5	0.031	170	24650	180	26100	280	40600	Residual pressure



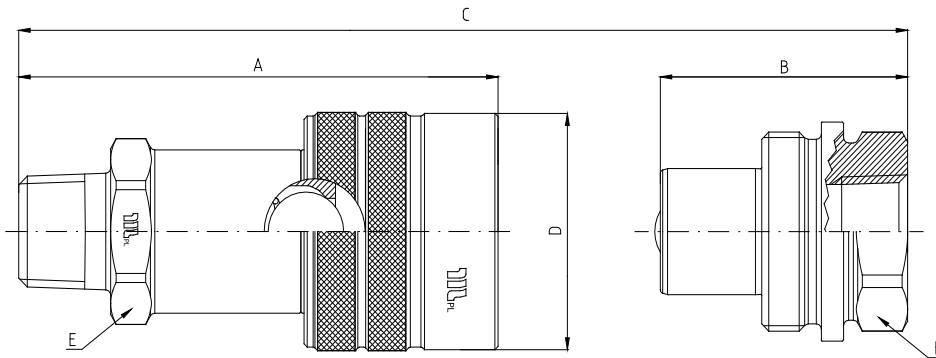
Product description:

- Screw-type couplings specially designed for very high pressure applications on cylinders and hydraulic rams
- Connection and disconnection is made by screwing the sleeve and can be made with residual pressure in the line
- Connection secured on the thread between the sleeve and the male coupling
- Shut-off by ball valve provides effective hydraulic sealing
- Interchangeable with other products and widely used in the USA and Europe
- ISO 14540 compliant

Material	Female and male coupling in steel. Carbonitrided valve, springs in C98 steel, seals in NBR (other materials available on request) and back-up ring in PTFE
Working Temperature	-22°F up to +230°F (-30°C up to +110°C) Specific seals available in case of higher temperatures
Safety Factor	4:1 for dynamic pressures
Impulse Pressures	50,000 cycles at 133% of the rated one (freq. 1Hz)
Test Specifications	ISO 7241-2

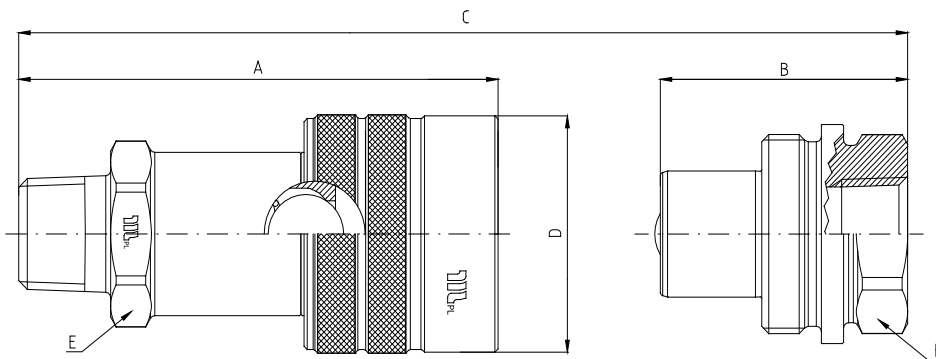
SCREW HYDRAULIC CYLINDERS (BALL) - TERMINATION ENDS

NPT



Q05611280C
NPT TERMINATION ENDS
TO ANSI B1.20.3

SIZE			PART NUMBER		THREAD	DIMENSIONS mm							
DN	inch	Size	Female coupling	Male coupling		A	B	C	D	E	F		
6.3	1/4"	-04	Q05611280C-04-04		1/4" NPTF	62.4	-	A+B-19	ø30	21			
10	3/8"	-06	Q05611280C-06-04	-	1/4" NPTF	75.6	-	A+B-25	ø35,6	25	-		
			Q05611280C-06-06	-	3/8" NPTF	75.6	-	A+B-25	ø35,6	25	-		



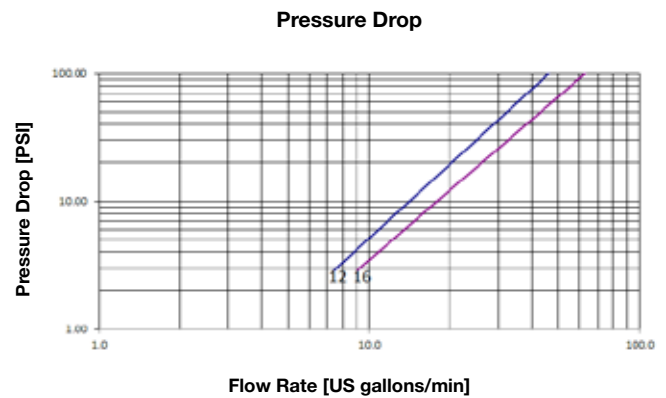
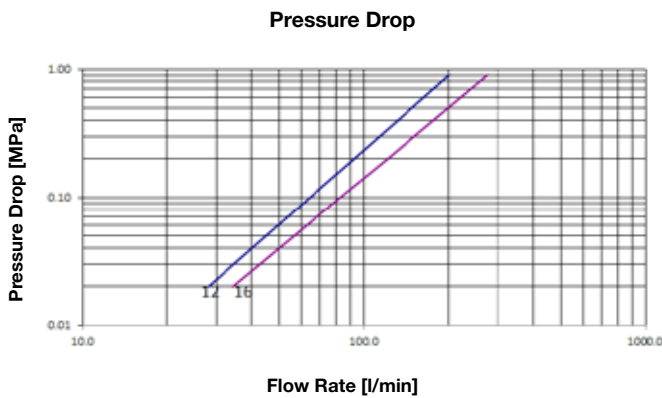
Q05510341C
NPT TERMINATION ENDS
TO ANSI B1.20.3

SIZE			PART NUMBER		THREAD	DIMENSIONS mm							
DN	inch	Size	Female coupling	Male coupling		A	B	C	D	E	F		
6.3	1/4"	-04	-	Q05510341C-04-04	1/4" NPTF	-	32	A+B-19	-	-	22		
10	3/8"	-06	-	Q05510341C-06-04	1/4" NPTF	-	39	A+B-25	-	-	27		
			-	Q05510341C-06-06	3/8" NPTF	-	39	A+B-25	-	-	27		



SIZE	WORKING PRESSURE (Dynamic)	RATED FLOW at 0.2 MPa of pressure drop	OIL SPILLAGE Connection/ Disconnection	MINIMUM BURST PRESSURE	CONNECTION/ DISCONNECTION UNDER PRESSURE

mm	inch	dash	MPa	PSI	l/min	US GPM	cc.	cubic inch	Male		Female		M & F		
									MPa	PSI	MPa	PSI	MPa	PSI	
20	¾	12	25	3625	92	24.3	7.5	0.458	100	14500	120	17400	110	15950	Residual pressure
25	1	16	25	3625	121	32.0	9	0.549	120	17400	140	20300	130	18850	Residual pressure



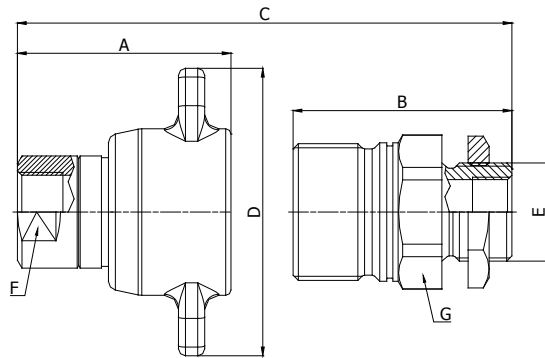
Product description:

- Screw-type couplings specially designed for truck trailer applications
- Wing Nut shaped sleeve for easier connection and disconnection by hand, also in case of residual pressure in the line
- Connection secured on the thread between the sleeve and the female coupling
- Shut-off by poppet valve
- Interchangeable with similar products available on the market

Material	Female and male coupling in steel. Carbonitrided valve, springs in C98 steel, seals in NBR (other materials available on request) and back-up ring in PTFE
Working Temperature	-22°F up to +230°F (-30°C up to +110°C)
Safety Factor	4:1 for dynamic pressures and 1:2 for static pressures
Test Specifications	ISO 7241-2

SCREW FOR TRUCK - TERMINATION ENDS

BSP



Q05811041A

Q05711041A

BSP TERMINATION ENDS

TO DIN 3852 X TYPE

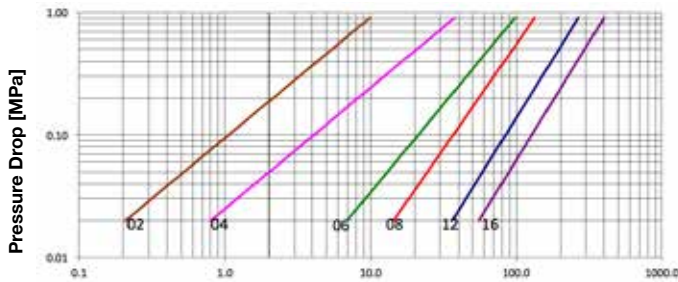
SIZE			PART NUMBER		THREAD	DIMENSIONS mm							
DN	inch	Size	Female coupling	Male coupling		A	B	C	D	E	F	G	
20	3/4"	-12	Q05811041A-12-12	Q05711041A-12-12	3/4"	78	78	138	117	1.1/4"	33	46	
25	1"	-16	Q05811041A-16-16	Q05711041A-16-16	1"	83	83	148	117	1.1/4"	40	55	



SIZE	WORKING PRESSURE (Dynamic)	RATED FLOW at 0.2 MPa of pressure drop	CONNECTION EFFORT	OIL SPILLAGE Connection/ Disconnection	MINIMUM BURST PRESSURE	CONNECTION/ DISCONNECTION UNDER PRESSURE

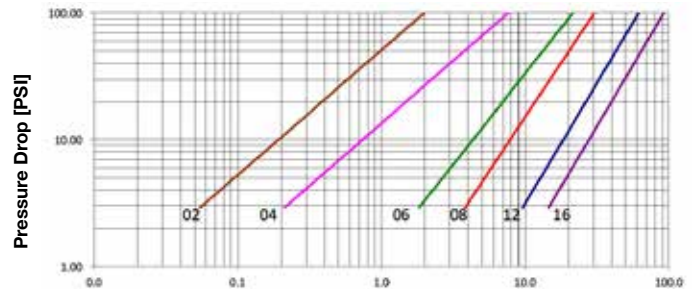
mm	inch	dash	MPa	PSI	l/min	US GPM	N	lb.	cc.	cubic inch	Male		Female		M & F		
											MPa	PSI	MPa	PSI	MPa	PSI	
5	1/8	02	40	5800	2	0.6	28	6.3	0.5	0.031	210	30450	280	40600	160	23200	Not allowed
6.3	1/4	04	35	5075	8	2.2	36	8.1	0.8	0.049	150	21750	220	31900	230	33350	Not allowed
10	3/8	06	30	4350	34	9.1	38	8.5	1.5	0.092	130	18850	160	23200	180	26100	Not allowed
12.5	1/2	08	30	4350	55	14.6	50	11.2	2.5	0.153	120	17400	130	18850	140	20300	Not allowed
20	3/4	12	25	3625	122	32.1	56	12.6	8.5	0.519	110	15950	110	15950	130	18850	Not allowed
25	1	16	25	3625	183	48.3	56	12.6	15.0	0.915	110	15950	110	15950	100	14500	Not allowed

Pressure Drop



Flow Rate [l/min]

Pressure Drop



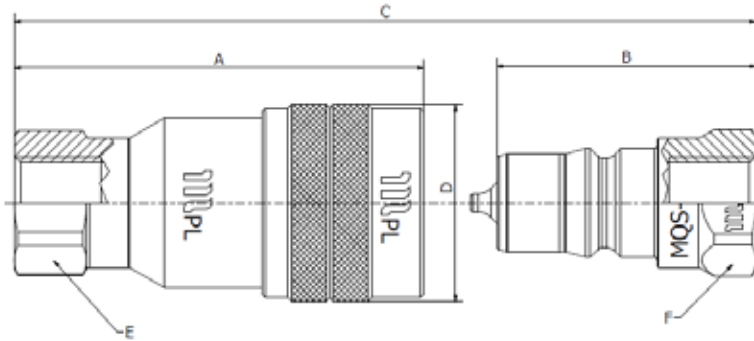
Flow Rate [US gallons/min]

Product description:

- Reference series for all industrial applications
- Simple connection and disconnection by pulling back the sleeve
- Positive, quick connection of the male into the female by latching the ball system
- Shut-off by poppet valve
- High resistant materials
- Interchangeable according to ISO 7241-1 series B
- FKM (VITON) seal

Material	Female and male in AISI 316 steel. Couplings in high grade carbon steel hardened. Springs in C98 steel, seals in FKM (VITON) (other materials on request) and back-up ring in PTFE
Working Temperature	-25°C up to +200°C For other temperatures, the quick coupling is assembled with specific seals
Safety Factor	4:1 for dynamic pressures
Impulse Pressures	Withstands 100,000 cycles of impulse pressure at 133% of the rated one (freq. 1Hz)
Test Specifications	ISO 7241-2

BSP



Q02423041A

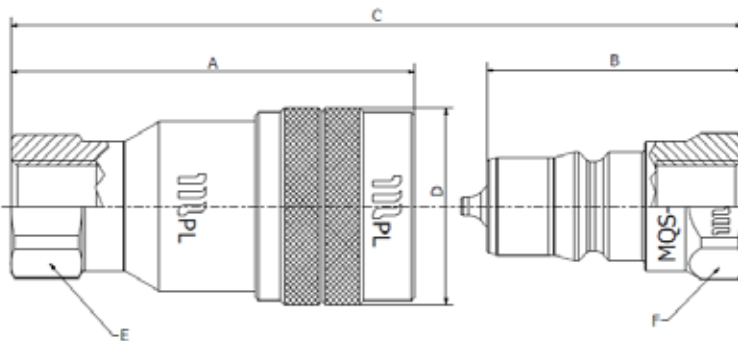
Q02123041A

**BSP TERMINATION ENDS
TO DIN 3852 X TYPE**

FKM (VITON) SEAL

SIZE			PART NUMBER		THREAD	DIMENSIONS mm					
DN	inch	Size	Female coupling	Male coupling		A	B	C	D	E	F
6.3	1/4"	-04	Q02423041A-04-04	Q02123041A-04-04	1/4"	58.8	37.2	A+B-21,6	ø28	19	19
10	3/8"	-06	Q02423041A-06-06	Q02123041A-06-06	3/8"	66.2	41.5	A+B-24,7	ø35	24	22
12.5	1/2"	-08	Q02423041A-08-08	Q02123041A-08-08	1/2"	74	46.5	A+B-27,5	ø42	30	27
20	3/4"	-12	Q02423041A-12-12	Q02123041A-12-12	3/4"	91	56.5	A+B-34,5	ø52	36	36
25	1"	-16	Q02423041A-16-16	Q02123041A-16-16	1"	104	64.5	A+B-39,5	ø60	41	41

NPT



Q02423341A

Q02123341A

**NPTF TERMINATION END
TO ANSI B 1.20.3**

FKM (VITON) SEAL

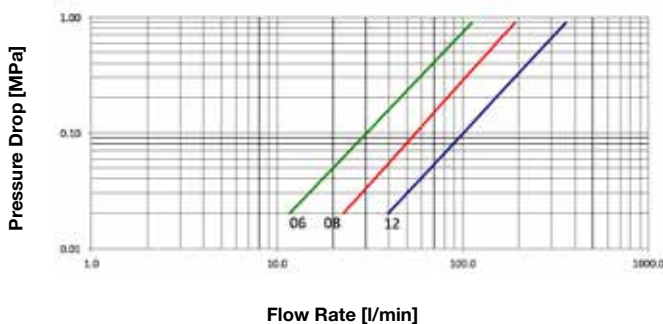
SIZE			PART NUMBER		THREAD	DIMENSIONS mm					
DN	inch	Size	Female coupling	Male coupling		A	B	C	D	E	F
5	1/8"	-02	Q02423341A-02-02	Q02123341A-02-02	1/8" NPTF	48.5	30	A+B-18,5	ø22	15	14
6.3	1/4"	-04	Q02423341A-04-04	Q02123341A-04-04	1/4" NPTF	58.8	37.2	A+B-21,6	ø28	19	19
10	3/8"	-06	Q02423341A-06-06	Q02123341A-06-06	3/8" NPTF	66.2	41.5	A+B-24,7	ø35	24	22
12.5	1/2"	-08	Q02423341A-08-08	Q02123341A-08-08	1/2" NPTF	74	46.5	A+B-27,5	ø42	30	27
20	3/4"	-12	Q02423341A-12-12	Q02123341A-12-12	3/4" NPTF	91	56.5	A+B-34,5	ø52	36	36
25	1"	-16	Q02423341A-16-16	Q02123341A-16-16	1" NPTF	104	64.5	A+B-39,5	ø60	41	41



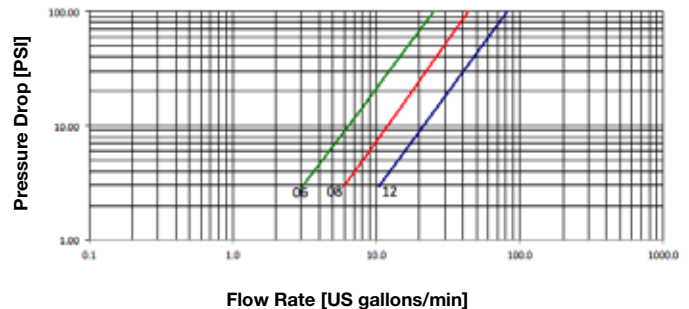
SIZE	WORKING PRESSURE - CONNECTED (Dynamic)	WORKING PRESSURE - DISCONNECTED (Dynamic)	RATED FLOW at 0.2 MPa of pressure drop	CONNECTION EFFORT	OIL SPILLAGE Connection/Disconnection	MINIMUM BURST PRESSURE	CONNECTION/DISCONNECTION UNDER PRESSURE

mm	inch	dash	MPa		PSI		l/min	US GPM	N	lb.	cc.	cubic inch	Male		Female		M & F		
			MPa	PSI	MPa	PSI							MPa	PSI	MPa	PSI			
10	3/8	06	25	3625	25	3625	46	12.2	130	29.2	0.007	0.0004	100	14500	100	14500	140	20300	Not allowed
12.5	1/2	08	25	3625	25	3625	82	21.7	140	31.5	0.008	0.0005	100	14500	100	14500	140	20300	Not allowed
19	3/4	12	22	3190	22	3190	150	39.6	210	47.2	0.009	0.0005	90	13050	100	14500	120	17400	Not allowed

Pressure Drop



Pressure Drop

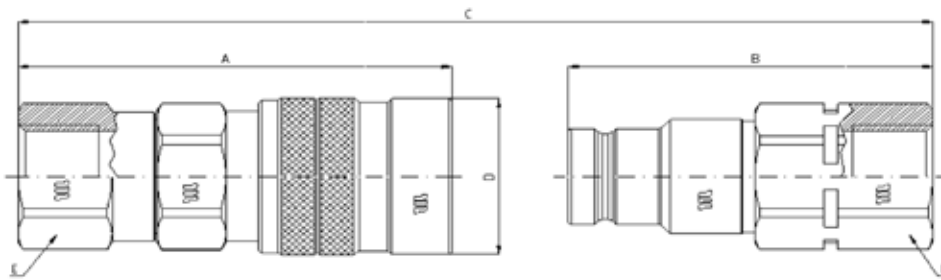


Product description:

- Flat mating surfaces easily wiped clean to prevent contamination and spillage during connection/disconnection
- Connection is made by pushing the male coupling and disconnection by pulling back the sleeve of the female
- Positive, quick connection of the male into the female by the latching ball system
- Shut-off by flat valve
- Interchangeability according to ISO 16028 and HTMA standards (only for 3/8")
- 1,000,000 cycles at 133% of rated (freq. 1Hz - connected conditions)
- FKM (VITON) seal

Material	Female and male coupling in steel, with some stressed tempered or carbonitrided areas. Springs in AISI and C98 steel, FKM (VITON) seal. Other materials (VITON, EPDM or any others) on request
Working Temperature	-25°C up to +200°C For other temperatures the coupling is assembled with the specified seals
Safety Factor	4:1 for dynamic pressures
Impulse Pressures	100,000 cycles at 133% of the rated one (freq. 1Hz) in disconnected conditions. 1,000,000 cycles at 133% of rated one (freq. 1Hz) in connected conditions.
Test Specifications	ISO 16028:1997aMD.1.2006 (E) and ISO 7241-2

BSP



Q04123041A

Q03923041A







BSP TERMINATION ENDS

TO DIN 3852 X TYPE

FKM (VITON) SEAL

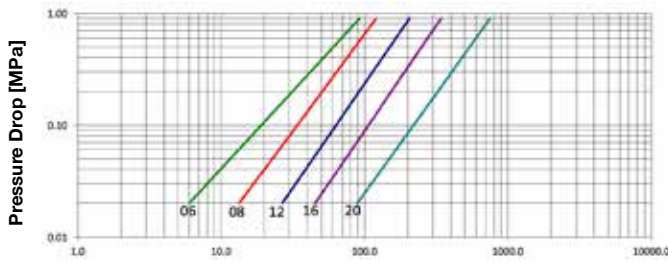
SIZE			PART NUMBER		THREAD	DIMENSIONS mm							
DN	inch	Size	Female coupling	Male coupling		A	B	C	D	E	F		
10	3/8"	-06	Q04123041A-06-06	Q03923041A-06-06	3/8"	74.9	62.5	A+B-15,9	ø32	27	27		
			Q04123041A-06-08	Q03923041A-06-08	1/2"	77.9	65.5	A+B-15,9	ø32	27	27		
12.5	1/2"	-08	Q04123041A-08-08	Q03923041A-08-08	1/2"	84.7	72.5	A+B-17,1	ø38	34	34		
			Q04123041A-06-12	Q03923041A-08-12	3/4"	86.7	74.5	A+B-17,1	ø38	34	34		
20	3/4"	-12	Q04123041A-12-12	Q03923041A-12-12	3/4"	105.9	88.5	A+B-21,7	ø48	41	41		
			Q04123041A-12-16	Q03923041A-12-16	1"	108.9	91.5	A+B-21,7	ø48	41	41		



					
SIZE	WORKING PRESSURE (Dynamic)	RATED FLOW at 0.2 MPa of pressure drop	OIL SPILLAGE Connection/ Disconnection	MINIMUM BURST PRESSURE	CONNECTION/ DISCONNECTION UNDER PRESSURE

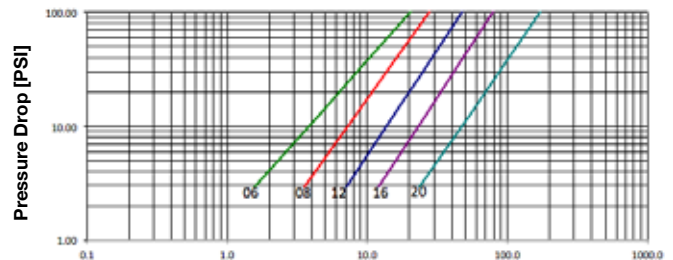
mm	inch	dash	MPa	PSI	l/min	US GPM	cc.	cubic inch	Male		Female		M & F		
									MPa	PSI	MPa	PSI	MPa	PSI	
10	3/8	06	35	5075	31	8.2	1.5	0.092	150	21750	180	26100	180	26100	Not allowed
12.5	1/2	08	35	5075	51	13.5	2.2	0.134	140	20300	220	31900	250	36250	Not allowed
20	3/4	12	32	4640	92	24.3	4	0.244	130	18850	220	31900	200	29000	Not allowed
25	1	16	32	4640	156	41.2	7.5	0.458	130	18850	180	26100	180	26100	Not allowed
31	1 1/4	20	30	4350	325	85.9	15	0.916	120	17400	150	21750	160	23200	Not allowed

Pressure Drop



Flow Rate [l/min]

Pressure Drop



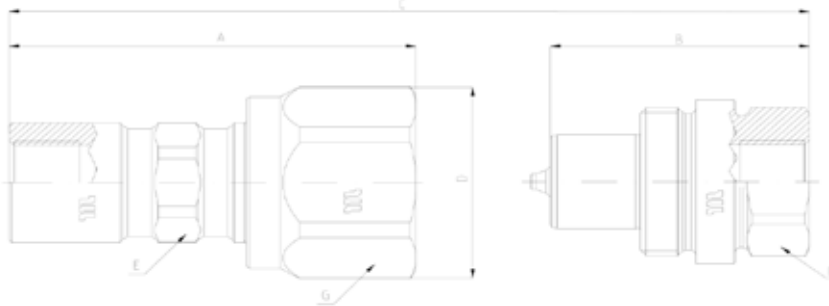
Flow Rate [US gallons/min]

Product description:

- Screw-on connection/disconnection system
- Sleeve with hexagon area internal components reinforced, made in steel
- Hardened valve bodies
- Three-part poppet valve with a moulded shaped seal
- Mechanical backstop to prevent partial enclosures of valves due to peaks and reverse flow
- Interchangeable with other products and widely used on the market
- Accessories (plugs and caps) and spare part kits available
- Wide range of termination ends
- FKM (VITON) seal

Material	Couplings in steel with some stressed area hardened. Carbonitrided valve, springs in C98 steel, FKM (VITON) seal and back-up ring in PTFE
Working Temperature	-25°C up to +200°C
Safety Factor	4:1 for dynamic pressures
Impulse Pressures	500,000 cycles (connected and disconnected conditions) at 120% of the rated one (freq. 1Hz)
Test Specifications	ISO 7241-2

BSP



Q05423041A

Q05323041A

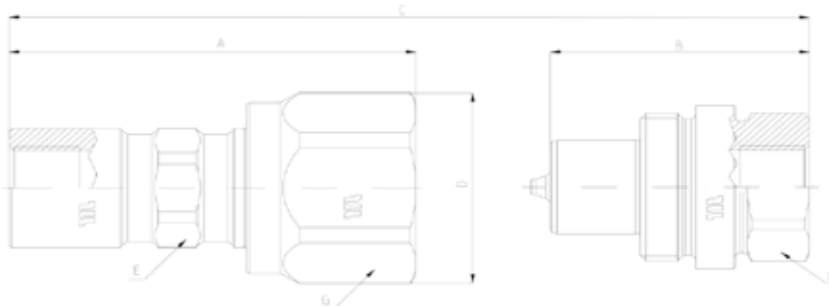
BSP TERMINATION ENDS

TO DIN 3852 X TYPE

FKM (VITON) SEALS

SIZE			PART NUMBER		THREAD	DIMENSIONS mm							
DN	inch	Size	Female coupling	Male coupling		A	B	C	D	E	F	G	
10	3/8"	-06	Q05423041A-06-06	Q05323041A-06-06	3/8"	72.5	46.2	A+B-25,9	ø38,5	22	27	35	
12.5	1/2"	-08	Q05423041A-08-08	Q05323041A-08-08	1/2"	82.1	54.4	A+B-27,3	ø45	27	32	41	
20	3/4"	-12	Q05423041A-12-12	Q05323041A-12-12	3/4"	93.7	61.4	A+B-31,9	ø55	35	41	50	
25	1"	-16	Q05423041A-16-16	Q05323041A-16-16	1"	105.8	68.3	A+B-37	ø66	41	50	60	
31.5	1.1/4"	-20	Q05423041A-20-20	Q05323041A-20-20	1.1/4"	131.9	82	A+B-53,9	ø88	55	70	80	

NPT



Q05423341A

Q05323341A

NPTF TERMINATION END

TO ANSI B 1.20.3

FKM (VITON) SEALS

SIZE			PART NUMBER		THREAD	DIMENSIONS mm							
DN	inch	Size	Female coupling	Male coupling		A	B	C	D	E	F	G	
10	3/8"	-06	Q05423341A-06-06	Q05323341A-06-06	3/8" NPTF	72.5	46.2	A+B-25,9	ø38,5	22	27	35	
12.5	1/2"	-08	Q05423341A-08-08	Q05323341A-08-08	1/2" NPTF	82.1	54.4	A+B-27,3	ø45	27	32	41	
20	3/4"	-12	Q05423341A-12-12	Q05323341A-12-12	3/4" NPTF	93.7	61.4	A+B-31,9	ø55	35	41	50	
25	1"	-16	Q05423341A-16-16	Q05323341A-16-16	1" NPTF	105.8	68.3	A+B-37	ø66	41	50	60	
31.5	1.1/4"	-20	Q05423341A-20-20	Q05323341A-20-20	1.1/4" NPTF	131.9	82	A+B-53,9	ø88	55	70	80	

